



PORSCHE

911 GT3 Cup
Model 2018 2019 (Type 991)

Parts Catalog (EN)



PORSCHE

Table of Contents

1	Engine.....	7	1.20	water expansion tank.....	38
1.1	spare engine	8	1.21	fuel distribution system.....	39
1.2	crank case.....	9	1.22	induction system	40
1.3	crank shaft and conrod.....	11	1.23	air filter housing	41
1.4	piston.....	13	1.24	belt drive.....	42
1.5	cylinder head left.....	14	1.25	engine bracket.....	43
1.6	cylinder head right.....	16	2	fuel tank and exhaust system.....	44
1.7	valves.....	18	2.1	fuel tank.....	45
1.8	valve timing.....	20	2.2	fuel pump	46
1.9	timing chains.....	21	2.3	refueling plate.....	47
1.10	oil pump housing.....	22	2.4	fuel lines.....	48
1.11	oil pump.....	23	2.5	exhaust system.....	49
1.12	oil tank and ventilaton	24	2.6	exhaust system without muffler	50
1.13	central oil-supply system.....	27	2.7	front muffler.....	51
1.14	engine water circuit.....	28	3	gearbox.....	52
1.15	front water circuit.....	31	3.1	clutch	53
1.16	mid water circuit.....	32	3.2	central clutch operator.....	54
1.17	rear water circuit.....	33	3.3	spare gearbox.....	55
1.18	mid radiator.....	35	3.4	gearbox cooling system	56
1.19	side mounted radiators.....	36	3.5	gearbox housing.....	57

Table of Contents

3.6	gearbox lubrication.....	59	4.8	steering wheel.....	90
3.7	differential cover for transmission case.....	60	5	rear axle.....	91
3.8	cover transmission case.....	61	5.1	rear axle side-carrier.....	92
3.9	gearhousing.....	64	5.2	rear axle wishbones.....	93
3.10	set of gears.....	66	5.3	rear upright.....	95
3.11	bearings and sleeves.....	67	5.4	anti-roll bar rear.....	97
3.12	cross shaft.....	71	5.5	suspension strut rear.....	99
3.13	shift module.....	72	5.6	drive shaft.....	100
3.14	shift rod and forks.....	74	6	rims and brakes.....	101
3.15	shift drum.....	75	6.1	rims.....	102
3.16	limited slip differential.....	77	6.2	brake front.....	103
3.17	gearbox bracket.....	79	6.3	brake rear.....	104
4	front axle.....	80	6.4	brake lines front.....	105
4.1	front axle.....	81	6.5	brake lines rear.....	107
4.2	upright front.....	83	6.6	brake adjustment.....	108
4.3	anti-roll bar front.....	85	7	pedal system.....	109
4.4	suspension strut front.....	86	7.1	pedal system.....	110
4.5	steering gear.....	87	7.2	clutch control system.....	111
4.6	servo pump.....	88	7.3	accelerator pedal.....	112
4.7	steering shaft.....	89	8	body.....	113

Table of Contents

8.1	body in white.....	114	9.1	engine control unit.....	143
8.2	sheet metal parts front.....	117	9.2	ignition modul.....	144
8.3	sheet metal parts side.....	118	9.3	sensors.....	145
8.4	fender.....	119	9.4	cable looms.....	146
8.5	wheel arch.....	120	9.5	generator and starter.....	147
8.6	underbody panelling.....	122	9.6	battery and main relay.....	148
8.7	underbody panelling rear.....	123	9.7	windscreen wiper unit.....	149
8.8	front cover.....	124	9.8	headlight.....	150
8.9	front-end covering.....	126	9.9	rearlight.....	151
8.10	rear-end covering.....	128	9.10	display system.....	152
8.11	rear heat protection.....	130	9.11	paddle shift system.....	153
8.12	rear cover and wing.....	131	9.12	switch plate steering wheel.....	155
8.13	doors.....	133	9.13	support-plate center console.....	156
8.14	windows.....	135	9.14	steering angle sensor.....	157
8.15	support frame + blower.....	136	9.15	tire pressure monitoring system.....	158
8.16	instrument board.....	137	10	accessories and options.....	159
8.17	center console.....	139	10.1	accessories.....	160
8.18	footrest and bottom plate.....	140	10.2	electrical accessories.....	161
8.19	seat.....	141	10.3	greases and liquides.....	162
9	electrical system.....	142	10.4	airjack system.....	163

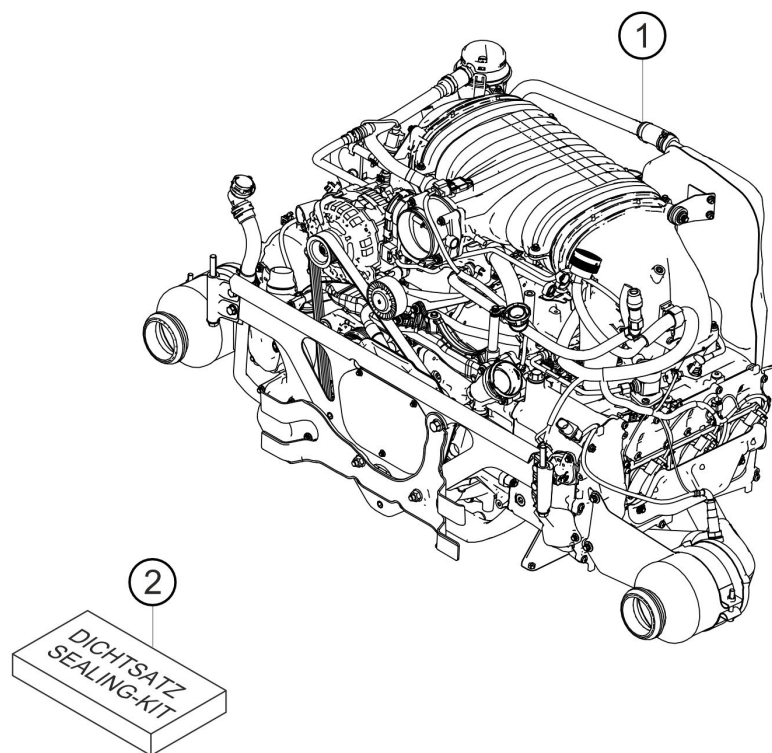
Table of Contents

10.5	fire extinguishing system.....	164
10.6	option additional weights.....	166
10.7	option passenger seat.....	167
10.8	option safety net.....	168
10.9	option oil quick-filling kit.....	169
10.10	option defueling-kit standard tank.....	170
10.11	option filling-valve long distance tank.....	171
10.12	option fuel pressure regulator.....	172
10.13	option fuel-pump long distance tank.....	173
10.14	option catchtank long distance tank.....	175
10.15	option internal fuel lines and pumps.....	176
10.16	option foam-parts long distance tank.....	177
10.17	option electronic.....	178
10.18	option suspension travel sensors.....	179
10.19	option starting number illumination.....	180

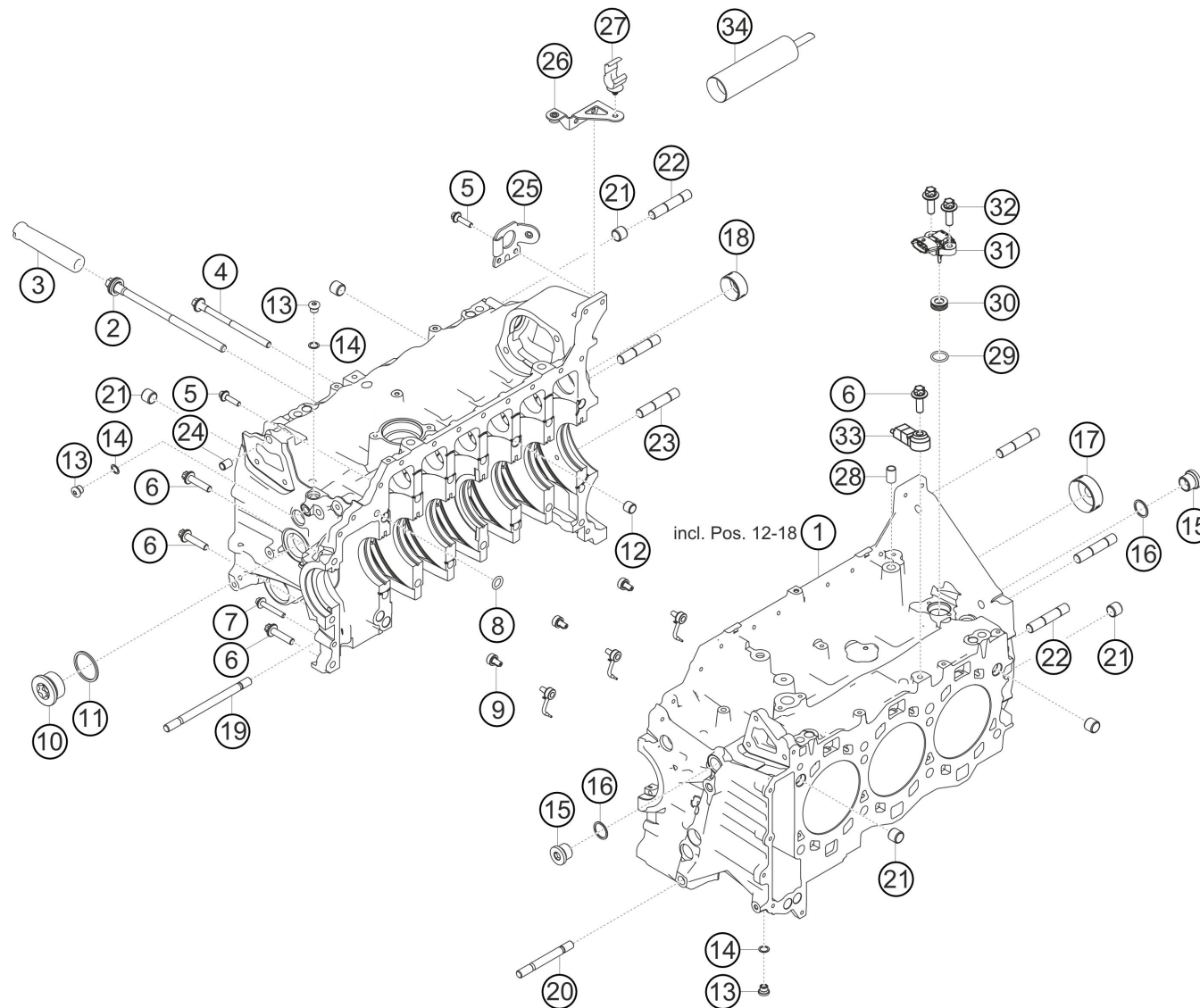
1 Engine

1.1 spare engine

Item no.	Description	M	Pc.	Material
1	AS ENGINE COMPLETE	X	1	9A11008789A
2	SEAL SET ENGINE, CUP GEN. 2 MY. H	X	1	9911009039A

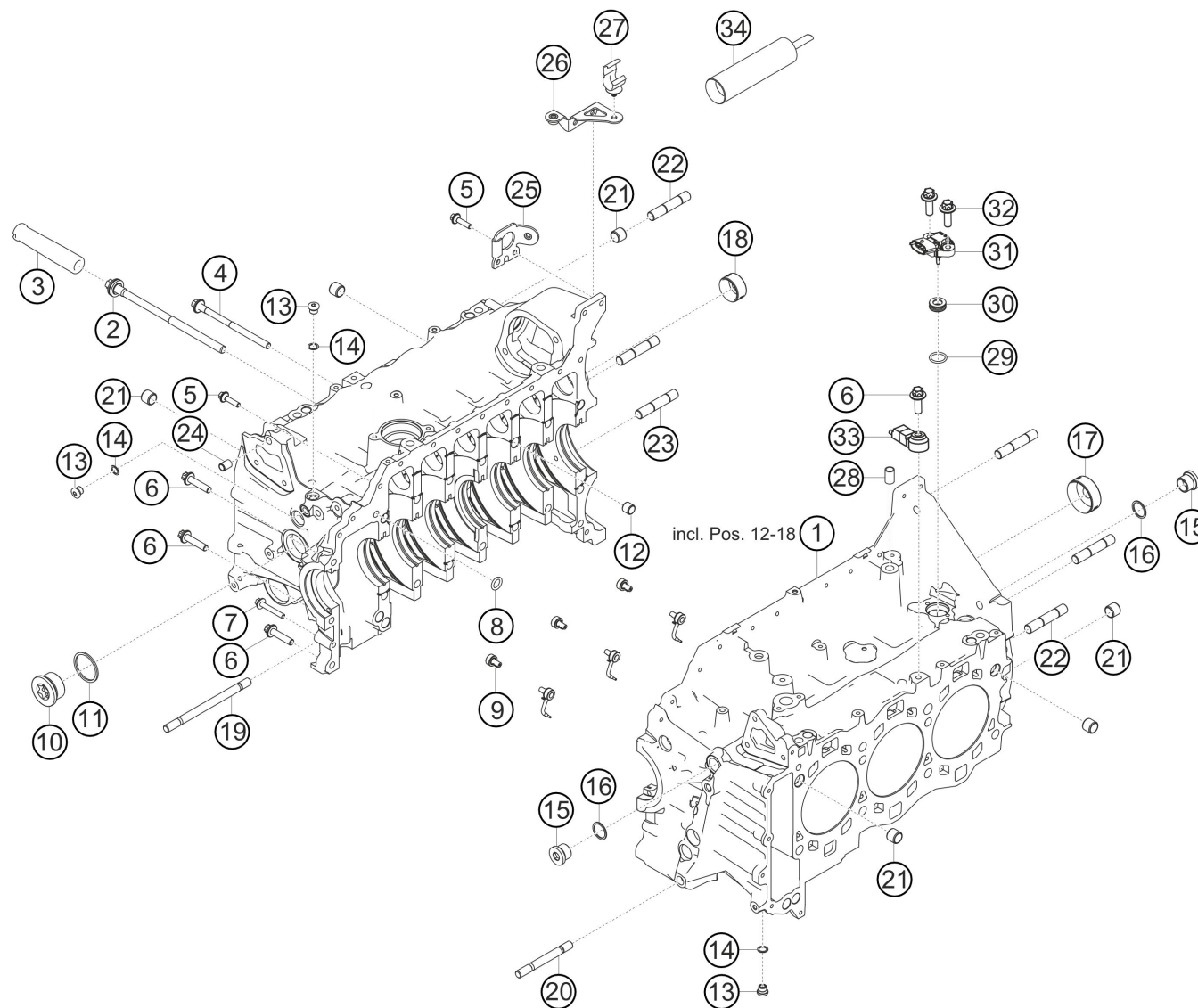


1.2 crank case



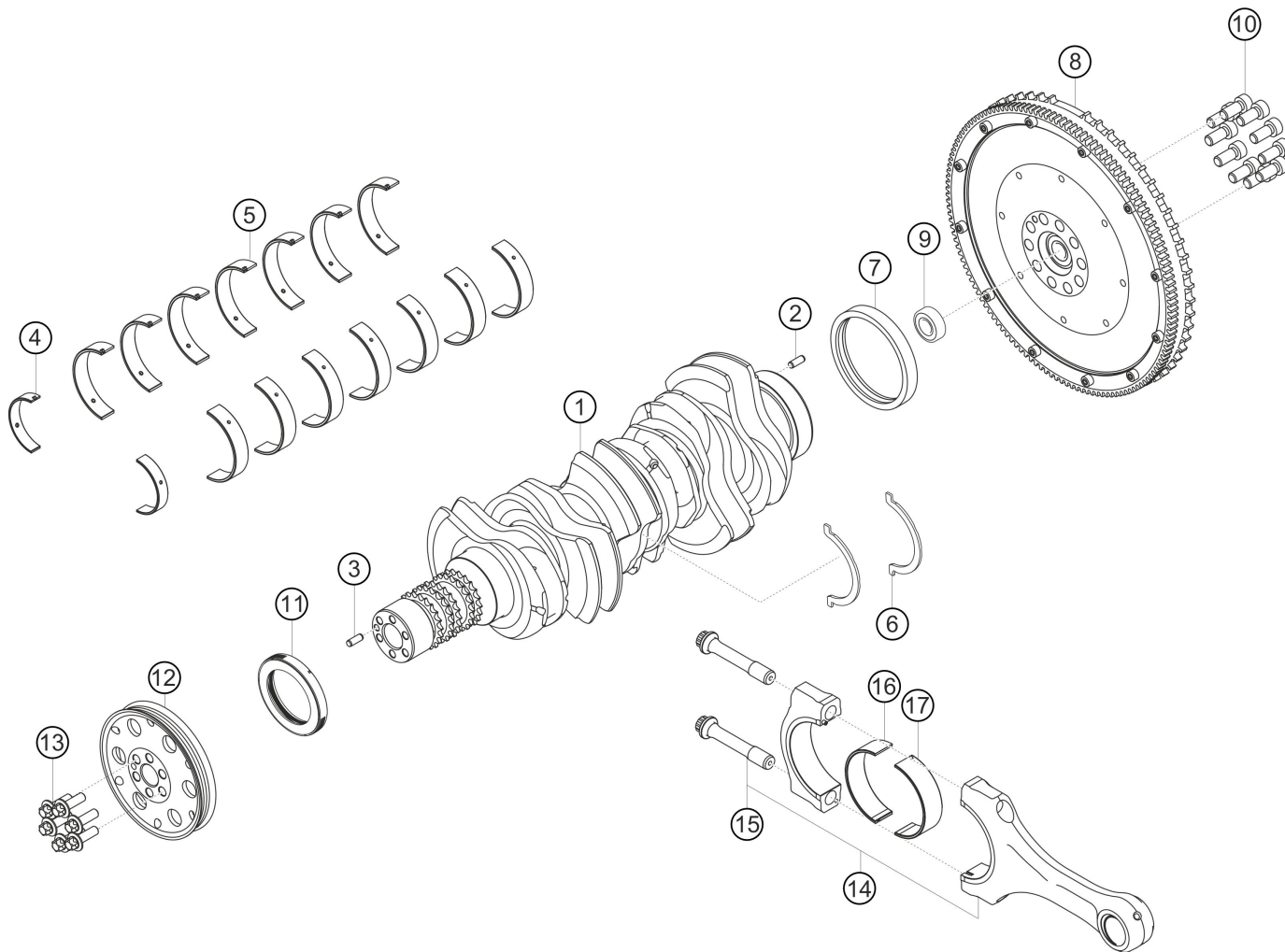
Item no.	Description	M	Pc.	Material
1	AS CRANKCASE	X	1	9A110104591
2	HEXALOBULAR SCREW MAIN BEARING		14	9A110125001
3	ADAPTER		12	9A110151101
4	HEXAGON-HEAD BOLT		1	90038528101
5	PAN-HEAD SCREW BM 6X25 10.9		14	90038507201
6	TORX SCREW BM 8X35 D34801 10.9 26B1		5	90038504201
7	PAN-HEAD SCREW BM6X40 10.9		1	90038504501
8	O-RING		1	99970756840
9	OIL SPRAY NOZZLE	X	6	9A110101898
10	SCREW PLUG		1	90021903130
11	SEALING RING		1	90012317220
12	SLEEVE		2	99610122550
13	SREW PLUG M10X1X11		3	99906303601
14	SEALING RING		3	90012316020
15	SCREW PLUG M20X1,5X18		2	99906303901
16	SEALING RING 20X24		2	90012315920
17	CLOSURE CAP CRANKCASE,UPPER PART		1	9A110121601
18	CLOSURE CAP CRANKCASE,UPPER PART		1	9A110121501
19	STUD M10FOX140		1	90006011301
20	STUD M10FOX80		1	90006011201
21	FITTING SLEEVE 13X16X13,5		6	014301153B
22	STUD M12X1,5FO	X	5	99921812201
23	STUD M12X1,5FO	X	1	99921812101

1.2 crank case



Item no.	Description	M	Pc.	Material
24	FITTING SLEEVE		1	99909506301
25	TRANSPORT LUG ENGINE		1	9A110121322
26	HOLDER		1	9A111338590
27	CABLE CLIP		1	99950771240
28	THREADED SLEEVE	X	1	9A110182790
29	O-RING 23,00X3,0		1	99970749640
30	ADAPTER OIL-PRESSURE SENSOR		1	9A110731491
31	OIL PRESSURE SENSOR W. TEMPERATURE SENSOR		1	94860621300
32	HEXAGON HEAD BOLT BM 6X20 D34801 10.9 26B1		2	90038501901
33	KNOCK SENSOR		2	0PB905377A
34	Sealing compound		1	00004330533

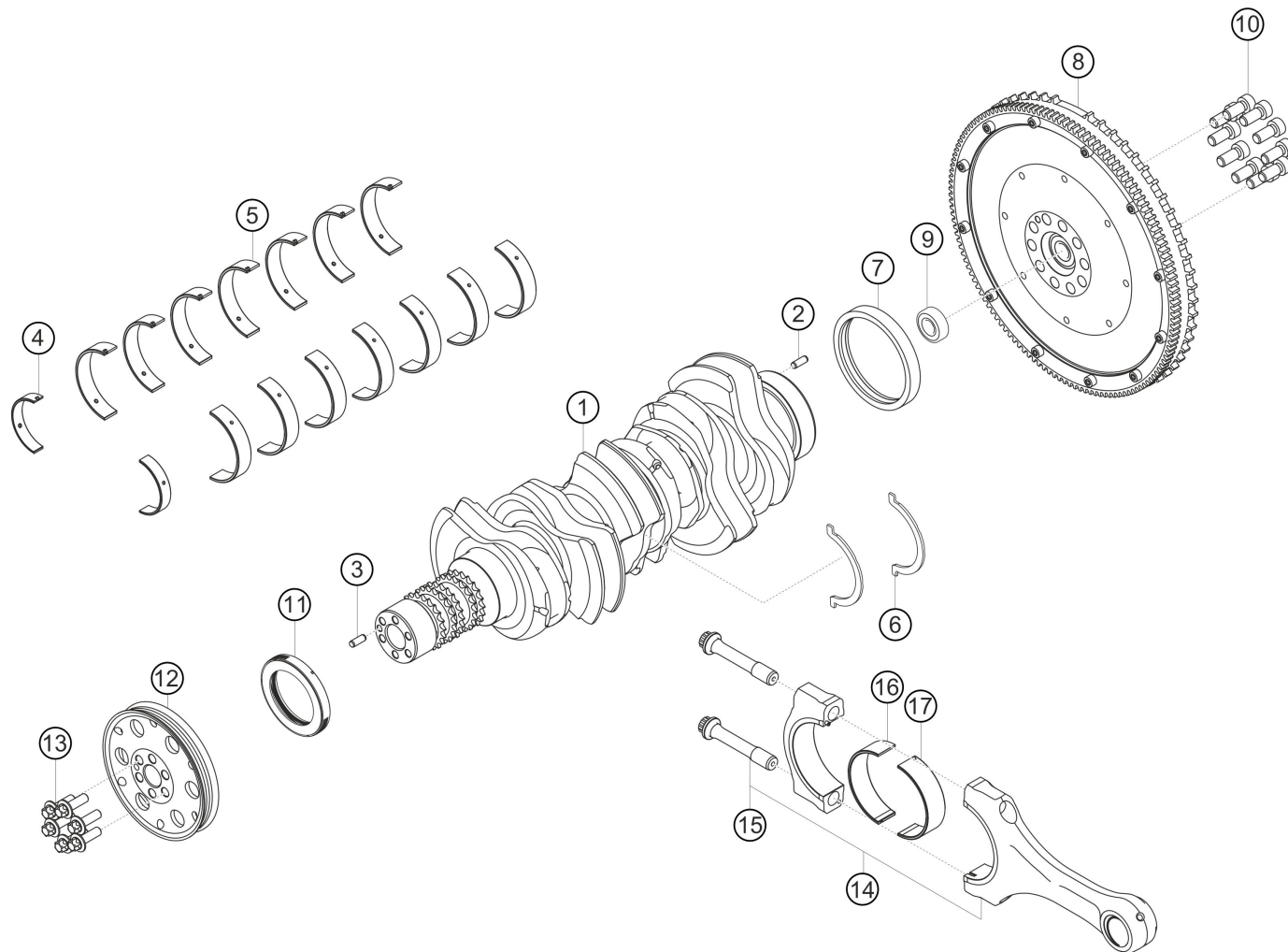
1.3 crank shaft and conrod



Item no.	Description	M	Pc.	Material
1	AS CRANKSHAFT		1	9A110208182
2	CLAMP SLEEVE 6,0X16,0		1	90009503100
3	DOWEL PIN	X	1	90030201600
4	SUPP.BEARING SHELL RED		2	0PB105589E
4	SUPP.BEARING SHELL YELLOW		2	0PB105589F
4	SUPP.BEARING SHELL BLUE		2	0PB105589G
5	MAIN-BEARING SHELL RED		14	9A110107390
5	MAIN-BEARING SHELL YELLOW		14	9A110107391
5	MAIN-BEARING SHELL BLUE		14	9A110107392
6	STOP DISK CRANK SHAFT		2	9A110113191
7	SHAFT SEALING RING		1	9A110122390
8	AS FLYWHEEL	X	1	9A110203991
9	GROOVED BALL BEARING		1	93110211102
10	PAN-HEAD SCREW M10X1X22		10	N 90665001
11	SHAFT SEALING RING		1	9A110122290
12	BELT PULLEY		1	9A110222492
13	OUTER HEXAGON ROUND SCREW		6	90038512702
14	AS CONROD		6	9A110308592
15	CONROD BOLT		12	9A110329590
16	CONROD BEARING SHELLRED		6	9A110306790
16	CONROD BEARING SHELLYELLOW		6	9A110306791
16	CONROD BEARING SHELLBLUE		6	9A110306792
17	CONROD BEARING SHELLRED		6	9A110308790

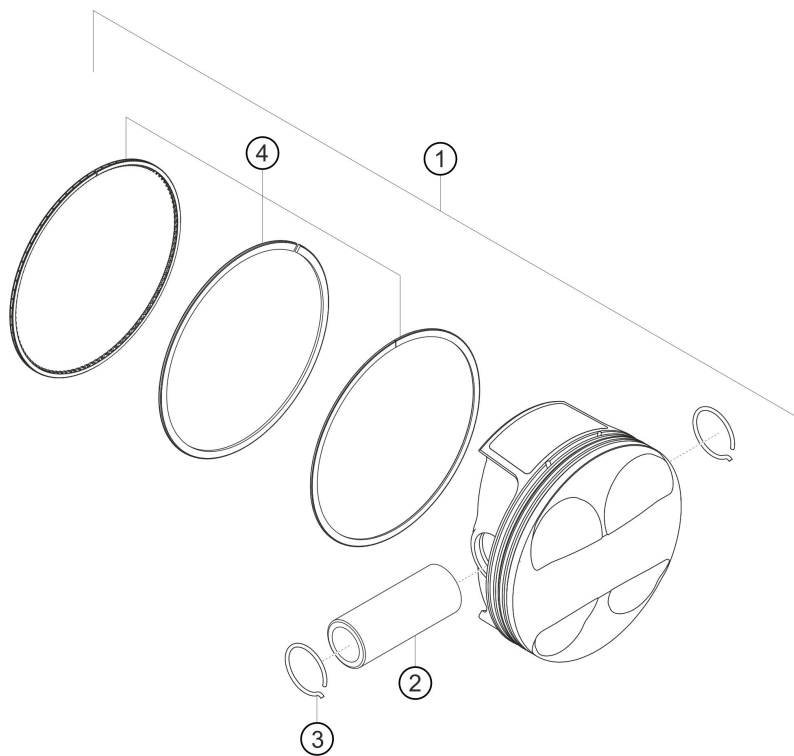
1.3 crank shaft and conrod

Item no.	Description	M	Pc.	Material
17	CONROD BEARING SHELLYELLOW		6	9A110308791
17	CONROD BEARING SHELLBLUE		6	9A110308792

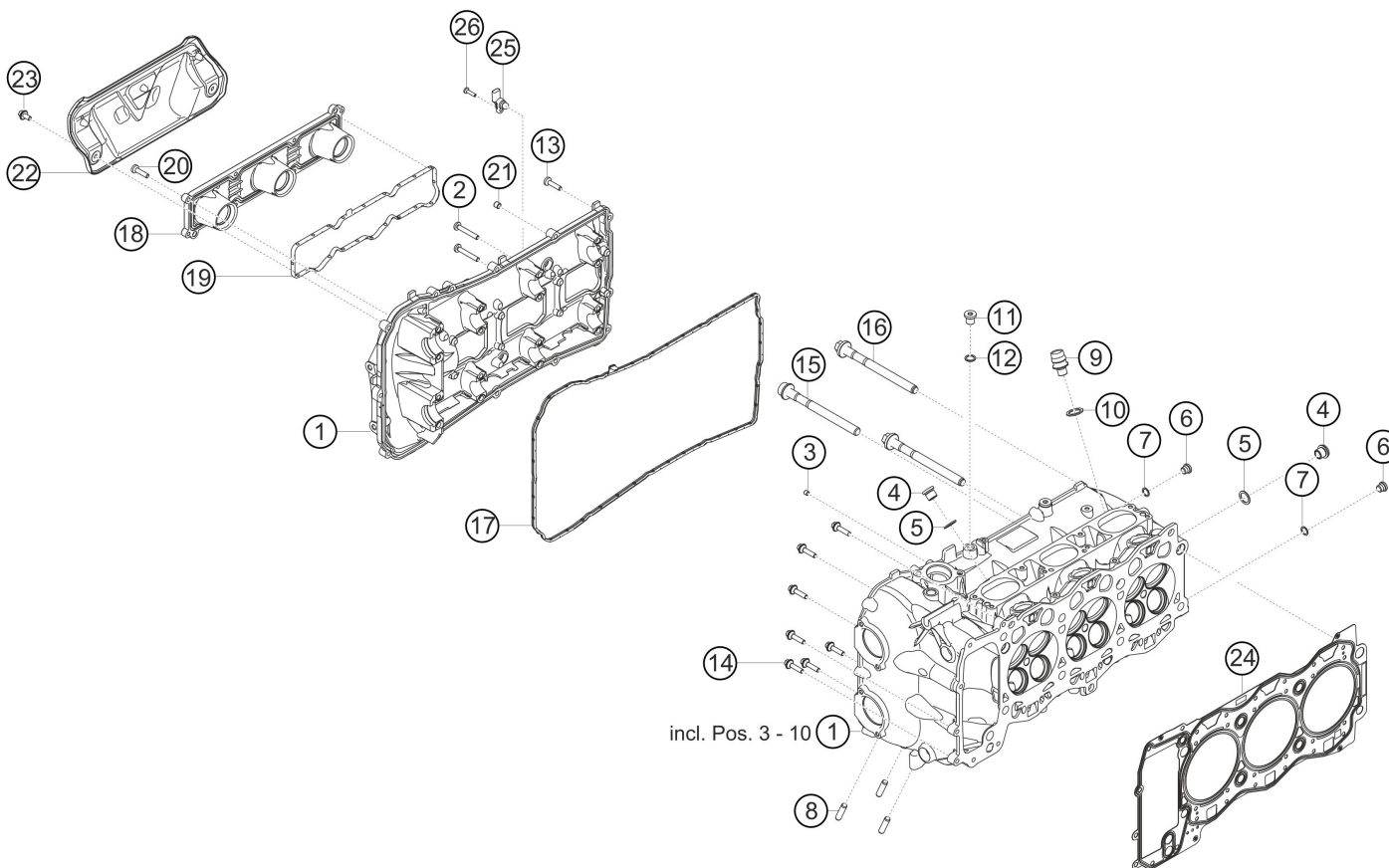


1.4 piston

Item no.	Description	M	Pc.	Material
1	AS PISTON CYL.1-3		3	9A110314592
1	AS PISTON CYL.4-6		3	9A110314692
2	PISTON PIN		6	9A110326092
3	LOCKING RING		12	9A110324192
4	SET,PISTON RINGS		6	9A110324790



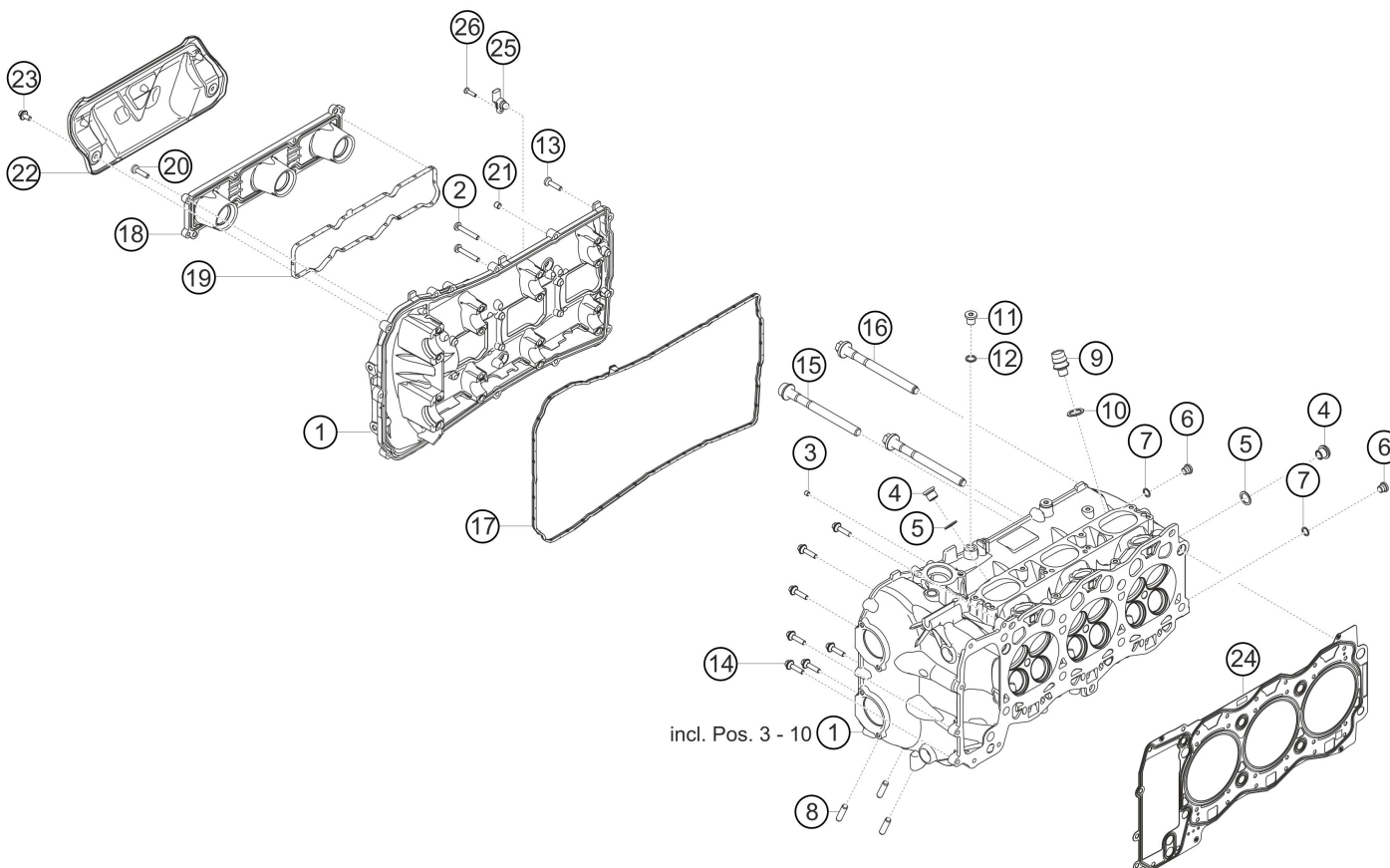
1.5 cylinder head left



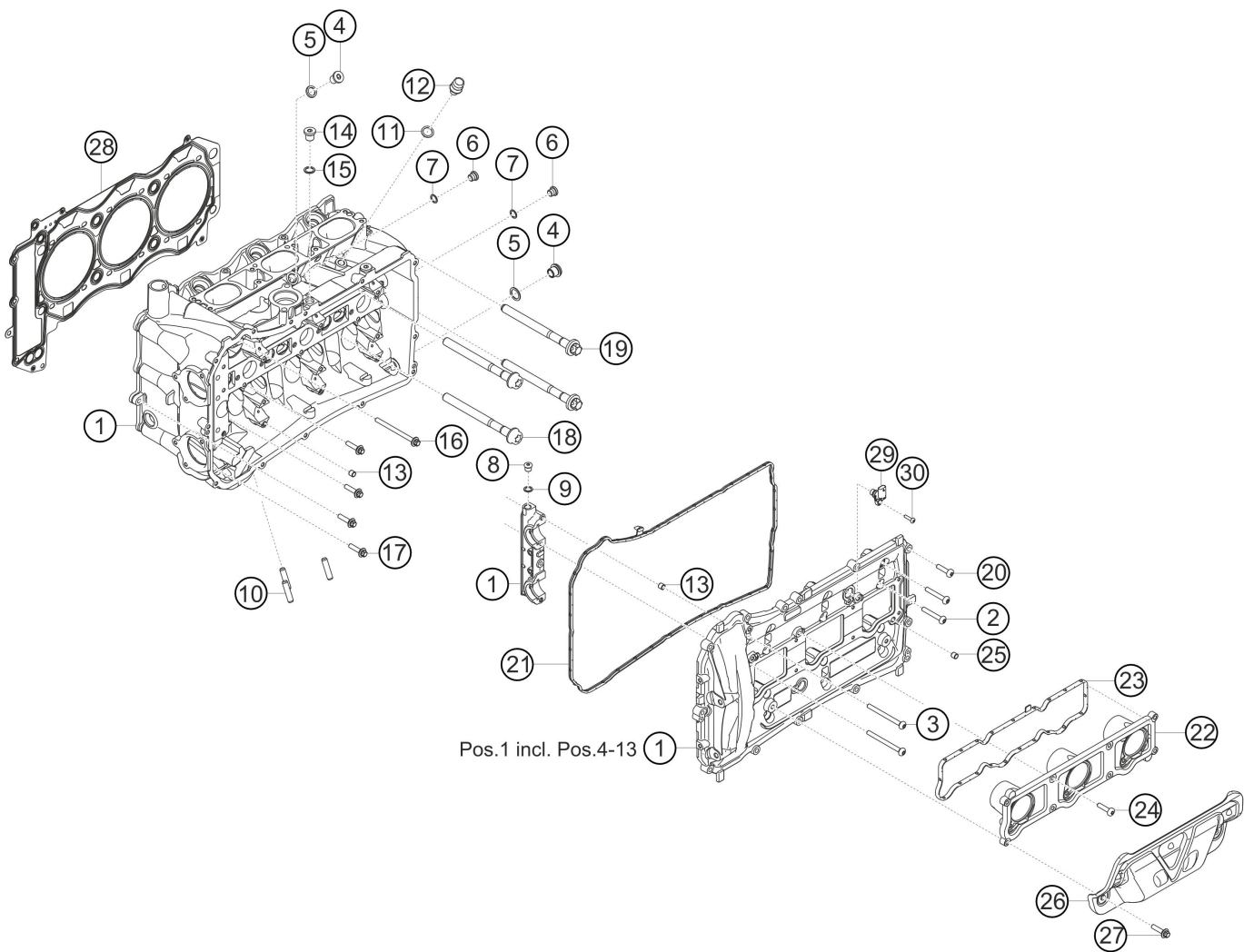
Item no.	Description	M	Pc.	Material
1	AS CYLINDER HEAD CYL. 1-3		1	9A110401196
2	Oval-head screw		16	N 10582103
3	SLEEVE		8	99610411750
4	SCREW PLUG M14X1,5X15		2	99906303801
5	SEALING RING 14X20		2	90012311121
6	SREW PLUG M10X1X11		5	99906303601
7	SEALING RING		5	90012316020
8	THREADED BOLT		9	99906000201
9	SCREW-IN NECK NORMAQUICK V2 NW6		1	91810452300
10	SEALING RING		1	90012316020
11	SCREW PLUG M12X1,5		2	90021900601
12	SEALING RING		2	90012316120
13	SCREW M6X25		13	9A110731301
14	PAN-HEAD SCREW BM 6X25 10.9		7	90038507201
15	TORX SCREW M12X1,5X140X95		6	9A700863400
16	TORX SCREW BM12X1,5X140X95		2	9A700863300
17	VALVE-COVER GASKET CYL. 1-3		1	9A110573190
18	AS SERVICE CAP		1	9A110511397
19	SEALING SERVICE CAP		1	9A110553196
20	OVAL HEAD SCREW M 5X20 K I14583 8.8 R677		8	N 10599502
21	DOWEL SLEEVE 8H7X 7		2	99909507501
22	HEAT SHIELD		1	9A110431193
23	PAN-HEAD SCREW BM 6X12 10.9		1	90038504101

1.5 cylinder head left

Item no.	Description	M	Pc.	Material
24	CYLINDER-HEAD GASKET CYL. 1-3		1	9A110414905
25	PHASE SENSOR		1	94660610600
26	PAN-HEAD SCREW M6X16		1	N 10546403

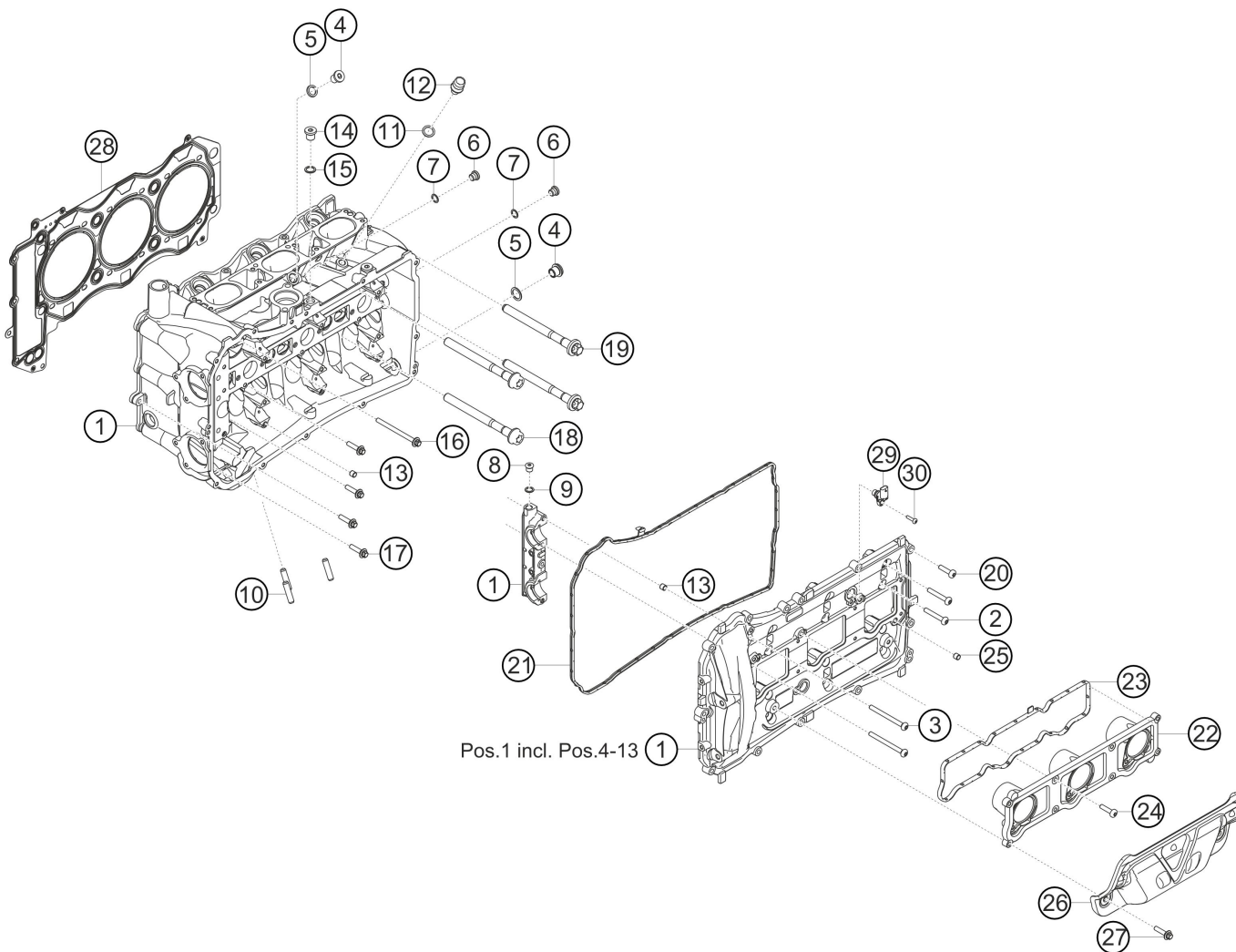


1.6 cylinder head right



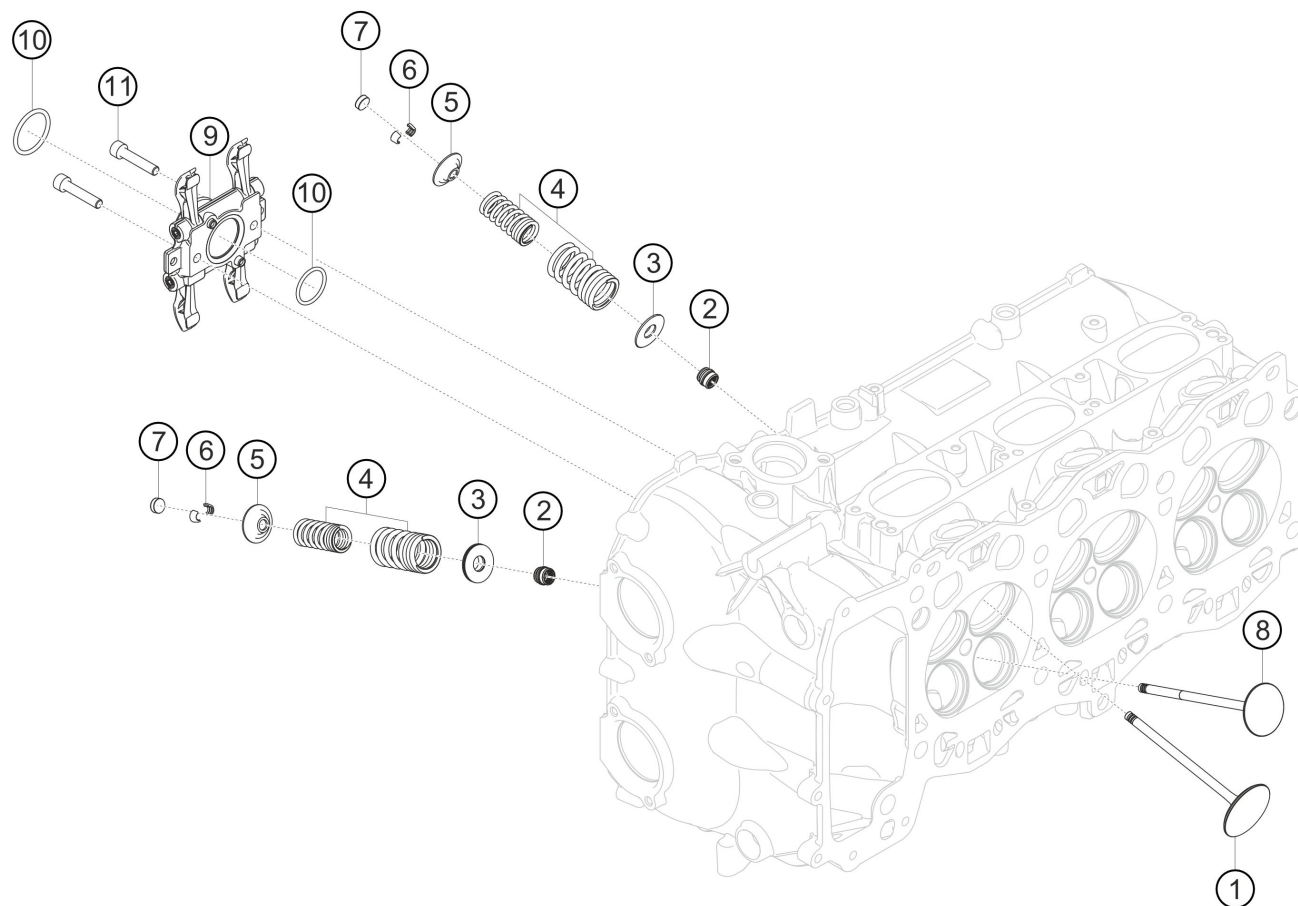
Item no.	Description	M	Pc.	Material
1	AS CYLINDER HEAD CYL. 4-6		1	9A110401296
2	Oval-head screw		12	N 10582103
3	Oval-head screw		4	N 10626801
4	SCREW PLUG M14X1,5X15		2	99906303801
5	SEALING RING 14X20		2	90012311121
6	SREW PLUG M10X1X11		5	99906303601
7	SEALING RING		5	90012316020
8	SCREW PLUG		1	99906303701
9	SEALING RING		1	90012316120
10	THREADED BOLT		9	99906000201
11	SEALING RING		1	90012316020
12	SCREW-IN NECK NORMAQUICK V2 NW6		1	91810452300
13	SLEEVE		10	99610411750
14	SCREW PLUG M12X1,5		2	90021900601
15	SEALING RING		2	90012316120
16	TORX SCREW		1	90038510802
17	PAN-HEAD SCREW BM 6X25 10.9		5	90038507201
18	TORX SCREW M12X1,5X140X95		6	9A700863400
19	TORX SCREW BM12X1,5X140X95		2	9A700863300
20	SCREW M6X25		13	9A110731301
21	VALVE-COVER GASKET CYL. 4-6		1	9A110573290
22	AS SERVICE CAP		1	9A110511397
23	SEALING SERVICE CAP		1	9A110553196

1.6 cylinder head right



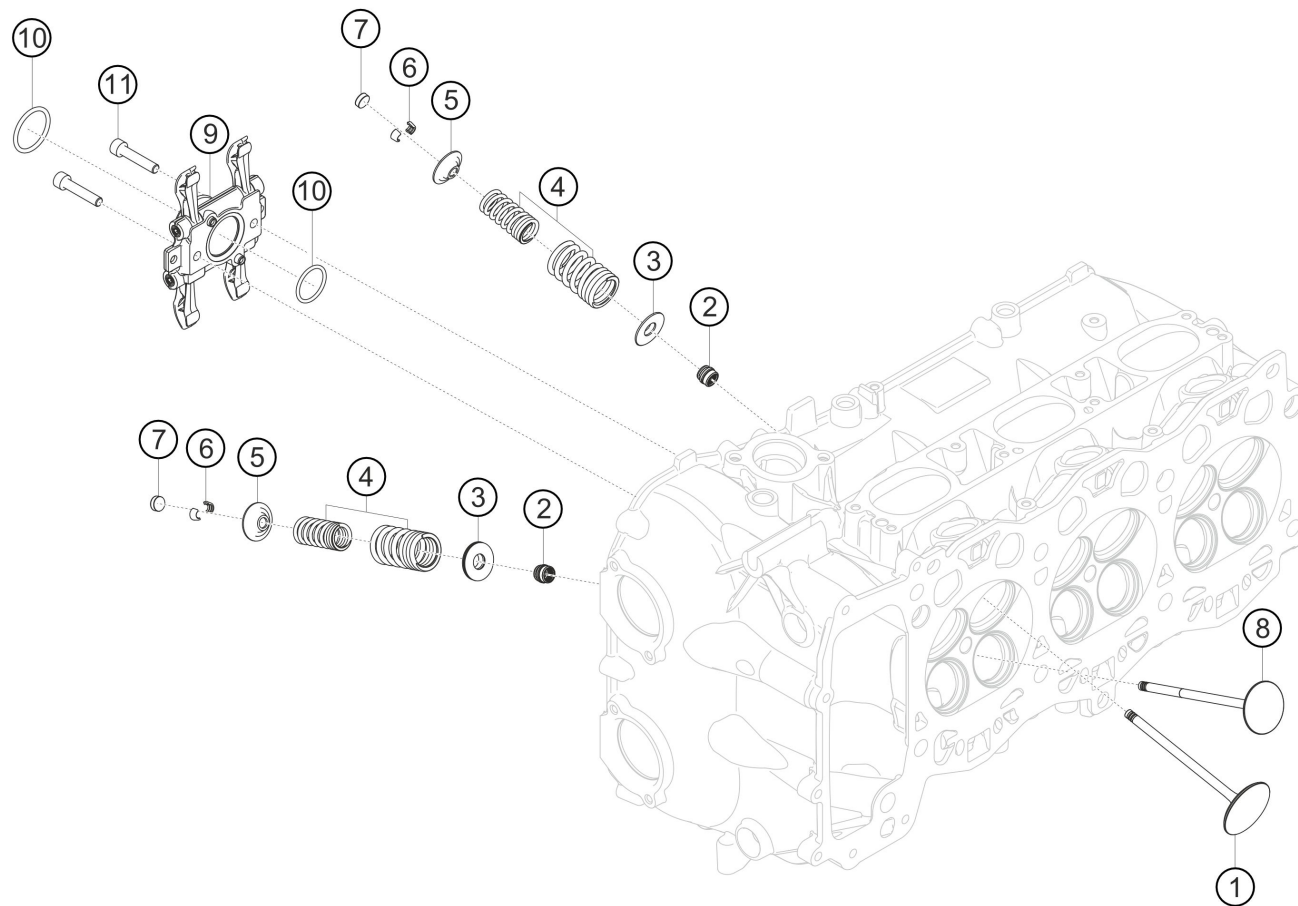
Item no.	Description	M	Pc.	Material
24	OVAL HEAD SCREW M 5X20 K I14583 8.8 R677		8	N 10599502
25	DOWEL SLEEVE 8H7X 7		2	99909507501
26	HEAT SHIELD		1	9A110431193
27	PAN-HEAD SCREW BM 6X12 10.9		2	90038504101
28	CYLINDER-HEAD GASKET CYL. 4-6		1	9A110414800
29	PHASE SENSOR		1	94660610600
30	PAN-HEAD SCREW M6X16		1	N 10546403

1.7 valves



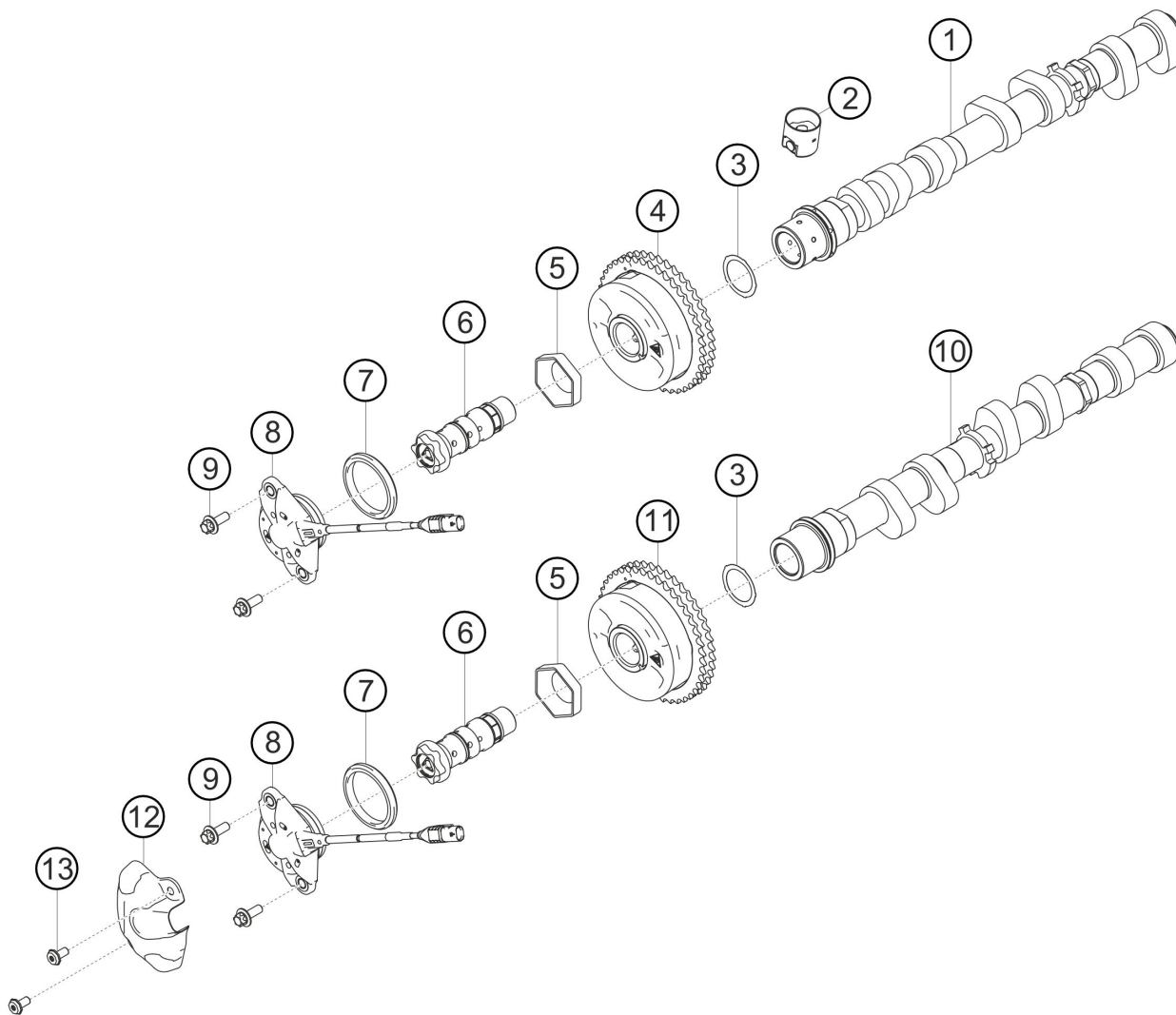
Item no.	Description	M	Pc.	Material
1	INLET VALVE		12	9A110531093
2	VALVE-STEM SEALING		24	99610511552
3	VALVE-SPRING CAP LOWER		24	9A110515198
4	SET, VALVE SPRINGS		24	9A110511097
5	VALVE-SPRING CAP UPPER		24	9A110515092
6	VALVE COLLETS		48	99610512352
7	COMPENSATING WASHER	X	1	9A110520364
7	COMPENSATING WASHER 3,62MM	X	1	9A110520362
7	COMPENSATING WASHER 3,60MM	X	1	9A110520360
7	COMPENSATING WASHER 3,58MM	X	1	9A110520358
7	COMPENSATING WASHER 3,54MM	X	1	9A110520354
7	COMPENSATING WASHER 3,52MM	X	1	9A110520352
7	COMPENSATING WASHER 3,50MM	X	1	9A110520350
7	COMPENSATING WASHER 3,48MM	X	1	9A110520348
7	COMPENSATING WASHER 3,46MM	X	1	9A110520346
7	COMPENSATING WASHER 3,44MM	X	1	9A110520344
7	COMPENSATING WASHER 3,42MM	X	1	9A110520342
7	COMPENSATING WASHER 3,40MM	X	1	9A110520340
7	COMPENSATING WASHER 3,38MM	X	1	9A110520338
7	COMPENSATING WASHER 3,36MM	X	1	9A110520336
7	COMPENSATING WASHER 3,34MM	X	1	9A110520334
7	COMPENSATING WASHER 3,32MM	X	1	9A110520332
7	COMPENSATING WASHER 3,30MM	X	1	9A110520330

1.7 valves



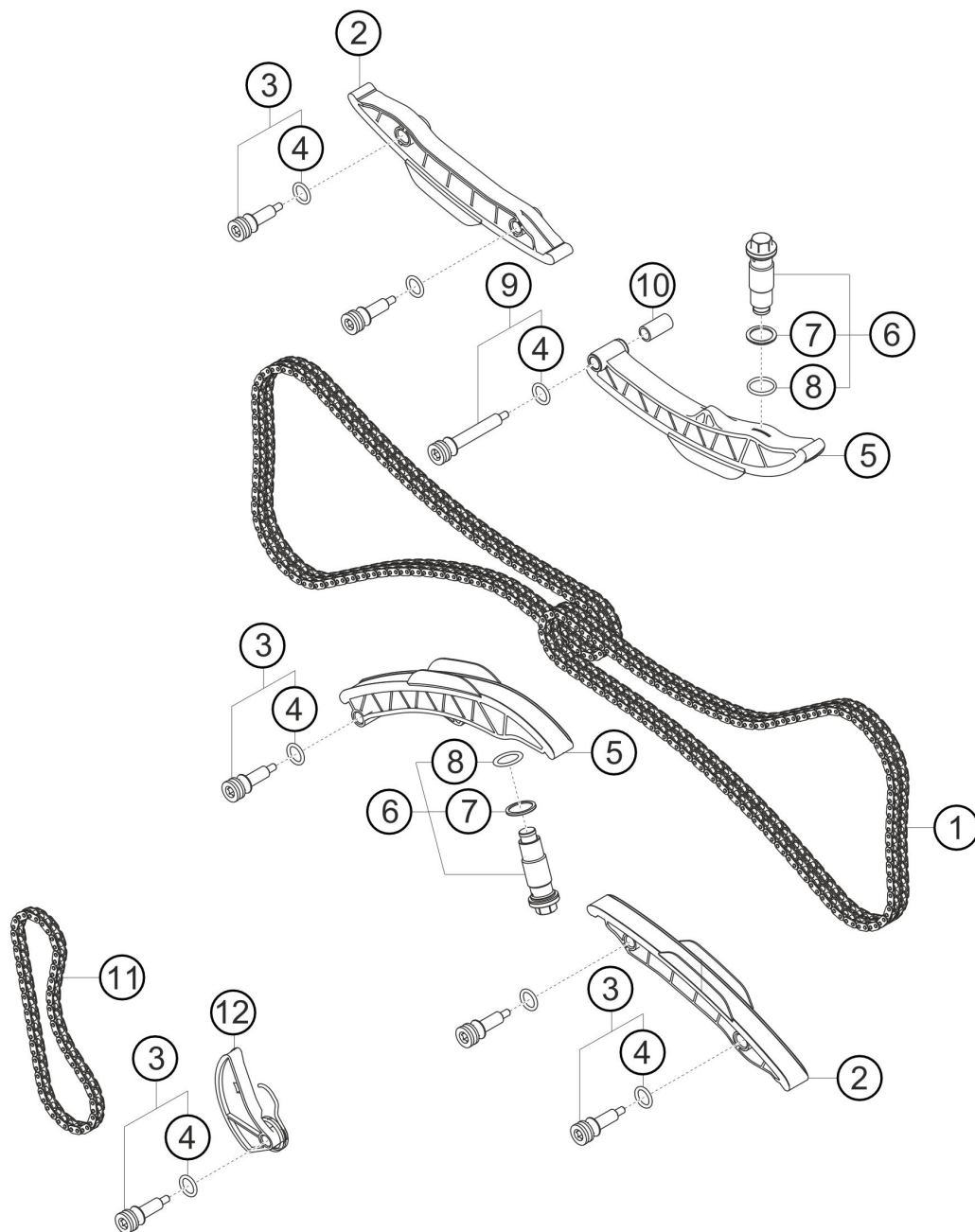
Item no.	Description	M	Pc.	Material
7	COMPENSATING WASHER 3,28MM	X	1	9A110520328
7	COMPENSATING WASHER 3,26MM	X	1	9A110520326
8	EXHAUST VALVE		12	9A110532093
9	AS BRACKET FINGER FOLLOWER		6	9A110516194
10	O-RING		6	99970735840
11	PAN-HEAD SCREW		12	90038702302

1.8 valve timing



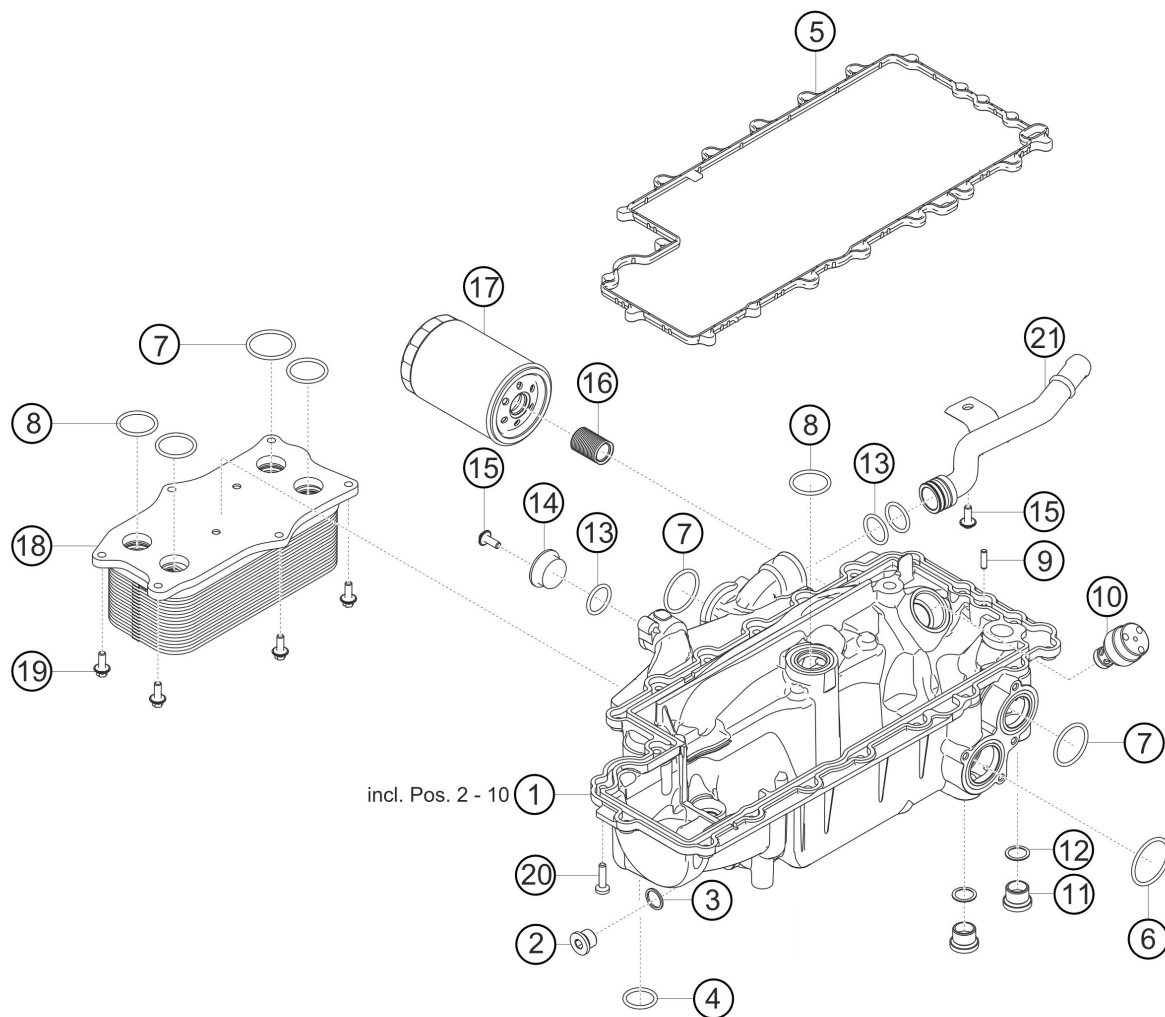
Item no.	Description	M	Pc.	Material
1	CAMSHAFT INLET,CYL.1-3		1	9A110537594
1	CAMSHAFT INLET,CYL.4-6		1	9A110537694
2	Cam follower		2	9A710931100
3	Friction washer		4	9A700822400
4	Z CAMSHAFT PHASING INTAKE		2	0PB109083
5	Sleeve		4	9A700829900
6	CONTROL VALVE		2	0PB109257
7	Sealing ring		4	9A700834800
8	AS ACTUATOR CAM PHASING	X	4	9A11054019A
9	PAN-HEAD SCREW BM 6X16 10.9		8	90038500901
10	CAMSHAFT EXHAUST,CYL.1-3		1	9A110537794
10	CAMSHAFT EXHAUST,CYL.4-6		1	9A110537894
11	Z CAMSHAFT PHASING EXHAUST		2	0PB109084A
12	SHIELD		2	9A110569091
13	ROUND HEAD SCREW M6X12		4	99907318901

1.9 timing chains



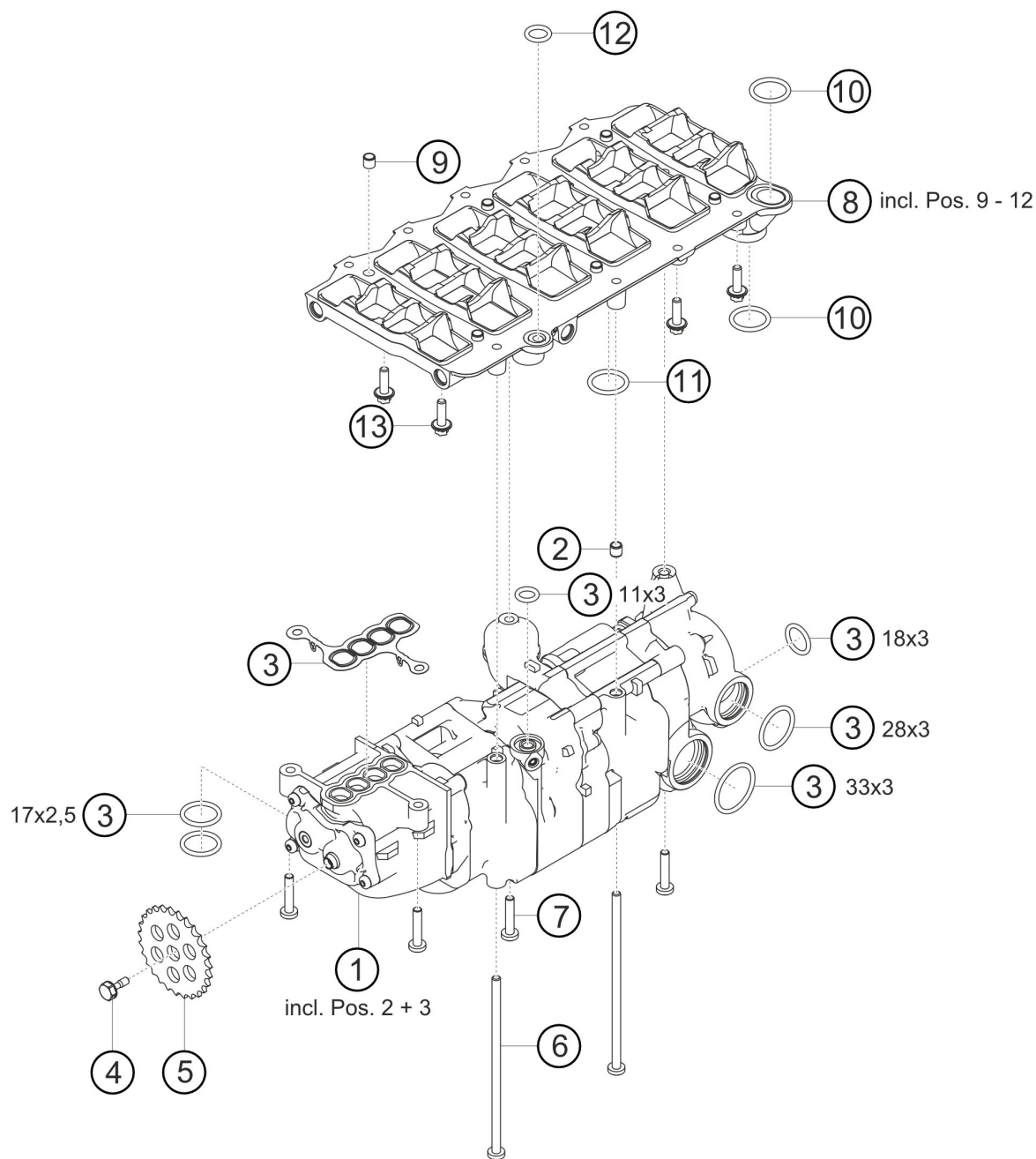
Item no.	Description	M	Pc.	Material
1	DUPLEX CHAIN		2	9A110514291
2	SLIDE RAIL TIMING CHAIN		2	9A110515304
3	CHEESE-HEAD SCREW M6		6	9A700836500
4	O-RING		7	99970734640
5	TENSIONER RAIL TIMING CHAIN		2	9A110515504
6	AS CHAIN TENSIONER CYL.1-3/4-6		2	9A110515704
7	SEALING RING A 22X27 D 7603 CU G600		2	N 0138277
8	O-RING		2	99970106640
9	AS SCREW RAIL FASTENING, LONG		1	9A110506301
10	SPACER SLEEVE		1	9A110516502
11	SIMPLEX CHAIN OILPUMP DRIVE		1	9A110523390
12	TENSIONER RAIL OIL PUMP	X	1	9A110523590

1.10 oil pump housing



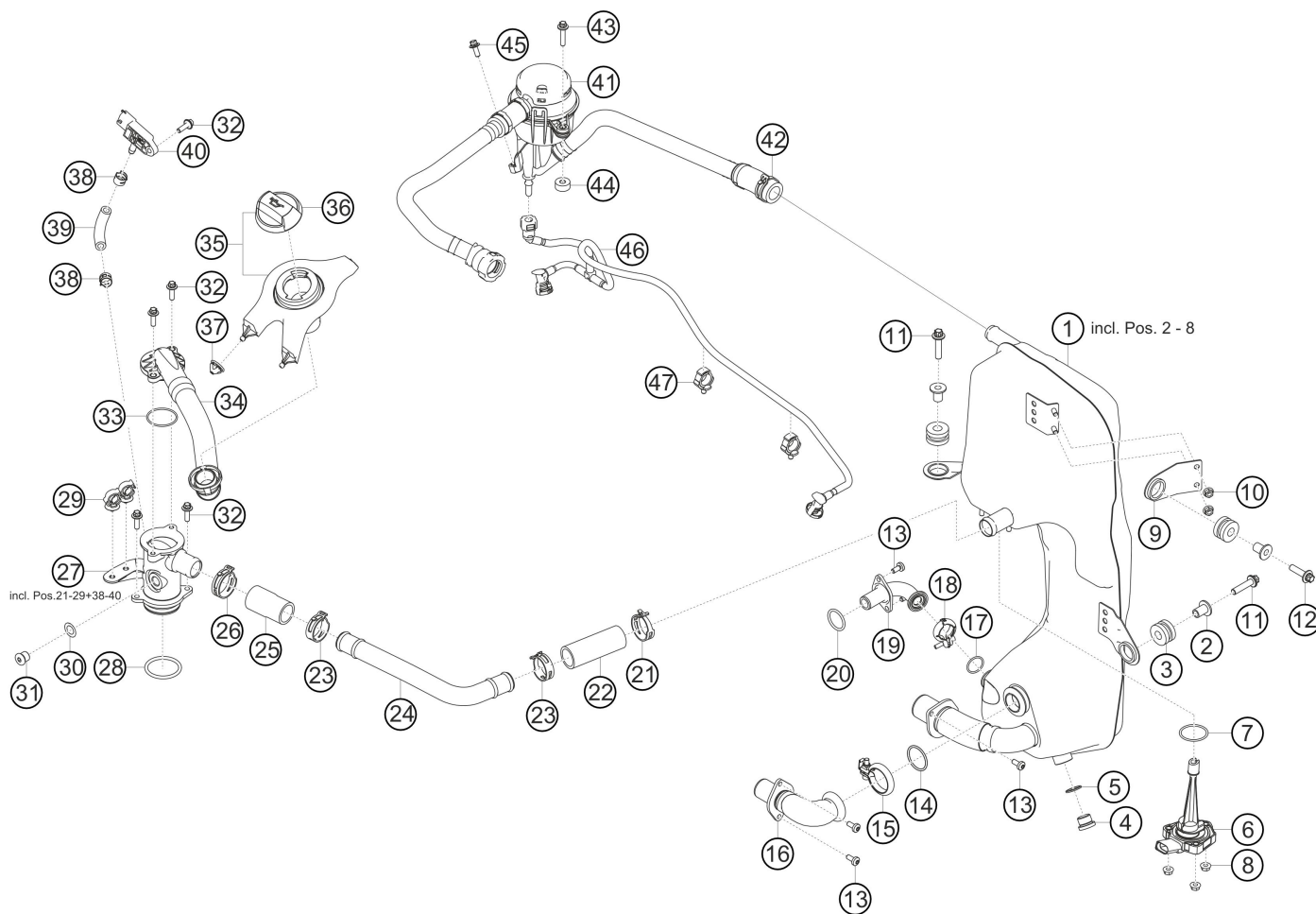
Item no.	Description	M	Pc.	Material
1	AS OIL GUIDE MODULE	X	1	9A11070639A
2	SCREW PLUG M16X1,5		1	90021900401
3	SEALING RING A 16x20 D 7603 AL99 F12		1	90012313130
4	O-RING 24,00X3,0		1	99970748140
5	SEALING OIL PAN,UPPER PART		1	9A110731503
6	O-RING 40,00X3,0 S* FPM 70	X	1	99970192440
7	O-RING 36,00X3,00NPN 707 2/ FKM-70 SW*		3	99970766541
8	O-RING 31,00X3,0		4	99970749540
9	DOWEL PIN 5,0X18		1	90030204601
10	OIL-PRESSURE VALVE OIL SPRAY NOZZLE	X	1	9A110726393
11	SCREW PLUG M20X1,5X18		2	99906303901
12	SEALING RING 20X24		2	90012315920
13	O-RING 22,00X3,0		3	99970751741
14	AS PLUG	X	1	9A11064557A
15	ROUND HEAD SCREW M6X14		2	99907360101
16	ADAPTER OIL FILTER		1	9A110757591
17	OIL FILTER		1	9A110720391
18	OIL-WATER HEAT EXCHANGER		1	9A110745095
19	HEXAGON HEAD BOLT BM 6X20 D34801 10.9 26B1		6	90038501901
20	SCREW M6X25		19	9A110731301
21	WATER PIPE RETURN		1	9A110662096

1.11 oil pump



Item no.	Description	M	Pc.	Material
1	AS OIL PUMP		1	9A110705693
2	SLEEVE D=8,2X8		1	99610610349
3	SET,SEALINGS OIL PUMP	X	1	9A11079077A
4	PAN-HEAD SCREW		1	9A110572992
5	CHAIN WHEEL OILPUMP DRIVE		1	9A110522593
6	SCREW OIL PUMP		2	9A110775191
7	OVAL HEAD SCREW M6X30 I14583 10.9		4	99907370601
8	AS OIL DEFLECTOR		1	9A110703996
9	FITTED SLEEVE		6	99610610350
10	O-RING 23,00X3,0		2	99970749640
11	O-RING		1	99970734640
12	O-RING		1	99970758241
13	HEXAGON HEAD BOLT BM 6X20 D34801 10.9 26B1		11	90038501901

1.12 oil tank and ventilaton



Item no.	Description	M	Pc.	Material
1	AS OIL TANK	X	1	9A12070709C
2	SPACER SLEEVE 8,4X1,8		2	99920903701
3	99970219341	X	3	99970219341
4	SCREW PLUG M18x1,5 DIN908 1.4301		1	90021901500
5	SEALING RING		1	N 0138326
6	SENSOR OIL LEVEL	X	1	03L907660C
7	SEALING RING		1	038103196B
8	HEXAGON FLANGE NUT M6		3	N 01508210
9	FASTENING BRACKET OIL TANK	X	1	9A12074719A
10	HEXAGON NUT M 6 EN1661 8 26B1		2	90037701001
11	TORX SCREW BM 8X35 D34801 10.9 26B1		2	90038504201
12	TORX SCREW BM 8X30 D34801 10.9 26B1		1	90038511601
13	PAN-HEAD SCREW BM 6X16 10.9		6	90038500901
14	99970769340		1	99970769340
15	CLAMP D=44		1	1K0253725F
16	RETURN LINE OIL TANK		1	9A120710491
17	O-RING 22X2-N		1	99970770940
18	CLAMP 29,00		1	99951220501
19	VENT LINE		1	9A110741093
20	O-RING 26,00X3,0 N*PN 707 2/FPM 70 SW		1	99970740941
21	CLAMP B32X12		1	99951274301
22	OIL FILLING HOSE		1	9A120727490
23	CLAMP B32X12		2	99951266209

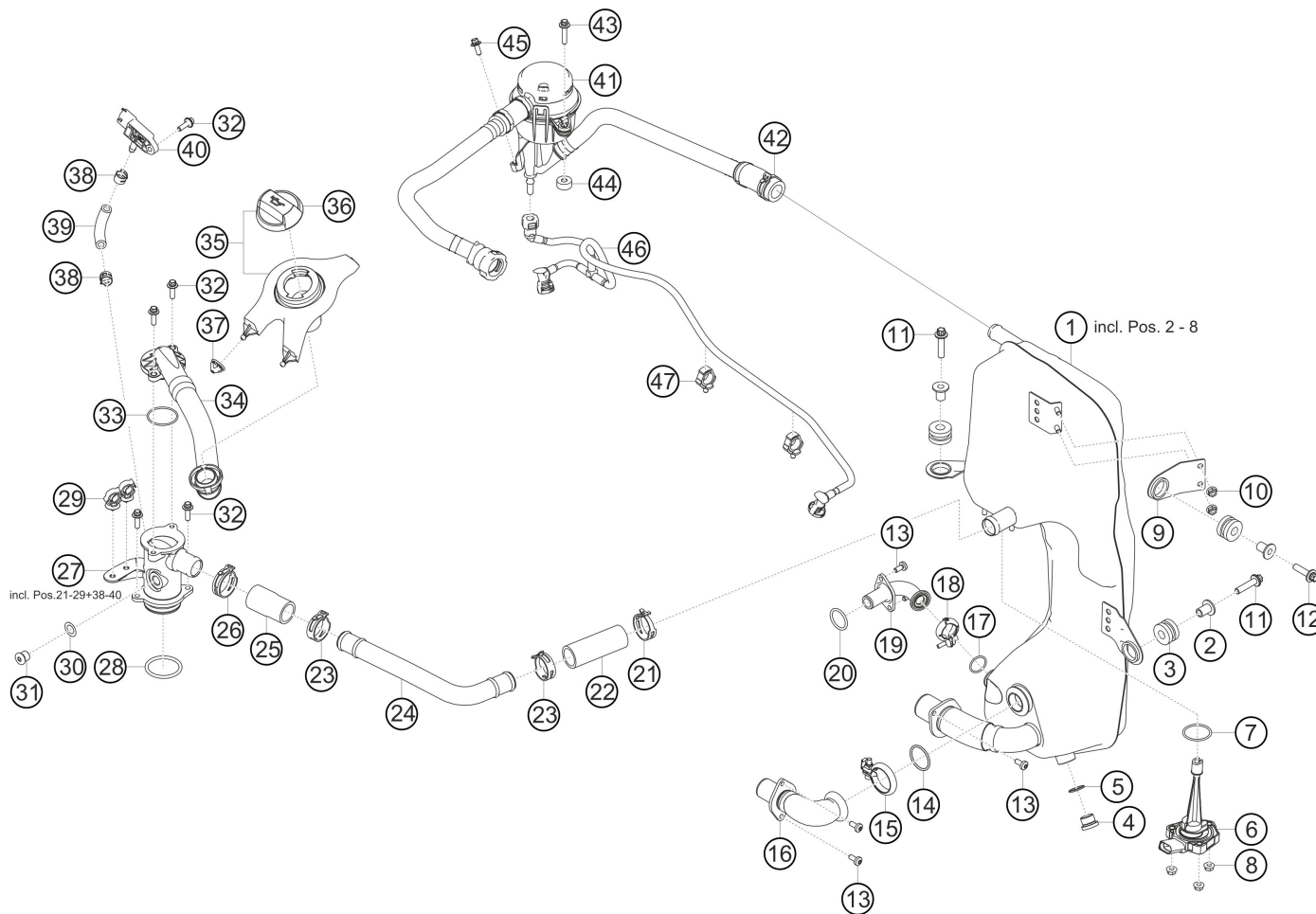
1.12 oil tank and ventilaton



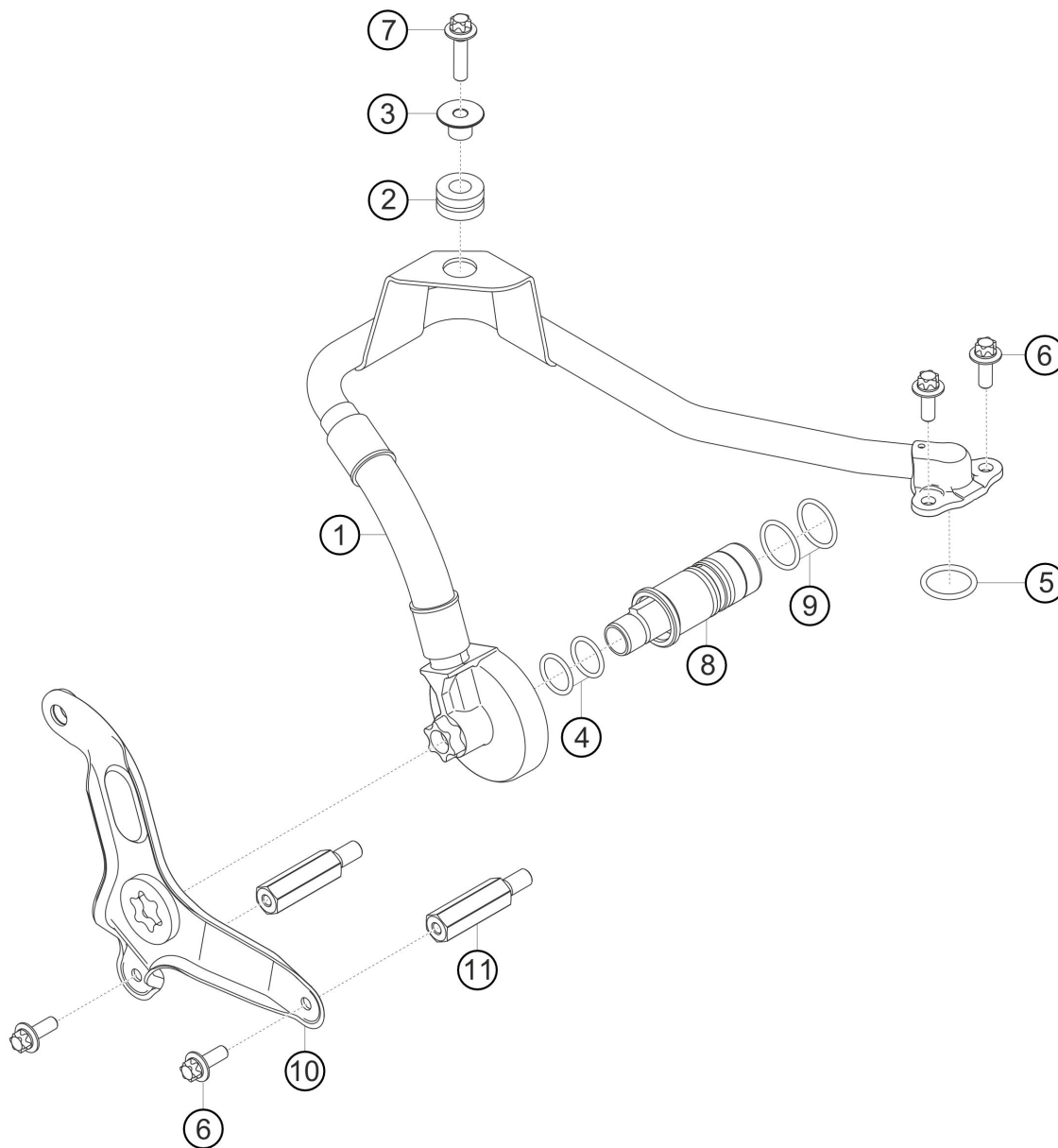
Item no.	Description	M	Pc.	Material
24	TUBE		1	9A120737390
25	OIL FILLING HOSE		1	9A120727391
26	CLAMP B35X12		1	99951270901
27	AS ADAPTER OIL FILLING	X	1	9A12072759A
28	O-RING 42,00X4,0		1	99970734840
29	CABLE HOLDER		1	99951123940
30	SEALING RING 14X20		1	90012311121
31	SCREW PLUG M14X1,5X15		1	99906303801
32	HEXAGON HEAD BOLT BM 6X20 D34801 10.9 26B1		5	90038501901
33	O-RING 38,00X2,00NPN 707 2/ FKM-70		1	99970771201
34	AS OIL FILLING PIPE	X	1	9A12070169B
35	Z OIL FILLER PIPE	X	1	9F0115653
36	COVER OIL FILLER NECK		1	9P1115423A
37	GROMMET		1	95811067300
38	CLAMP A13X12		2	99951259609
39	VACUUM HOSE		1	9A120729791
40	PRESSURE SENSOR		1	7P5906051
41	VENT LINE OIL TANK		1	9A110751099
42	CLIP		1	99951274001
43	HEXAGON-HEAD SCREW BM 6X30		1	90038504801
44	SPACER BUSH	X	1	9A11075129A
45	HEXAGON HEAD BOLT BM 6X20 D34801 10.9 26B1		1	90038501901
46	VENT PIPE CYLINDER HEAD		1	9A110723392

1.12 oil tank and ventilaton

Item no.	Description	M	Pc.	Material
47	CABLE HOLDER		1	8E0201449R

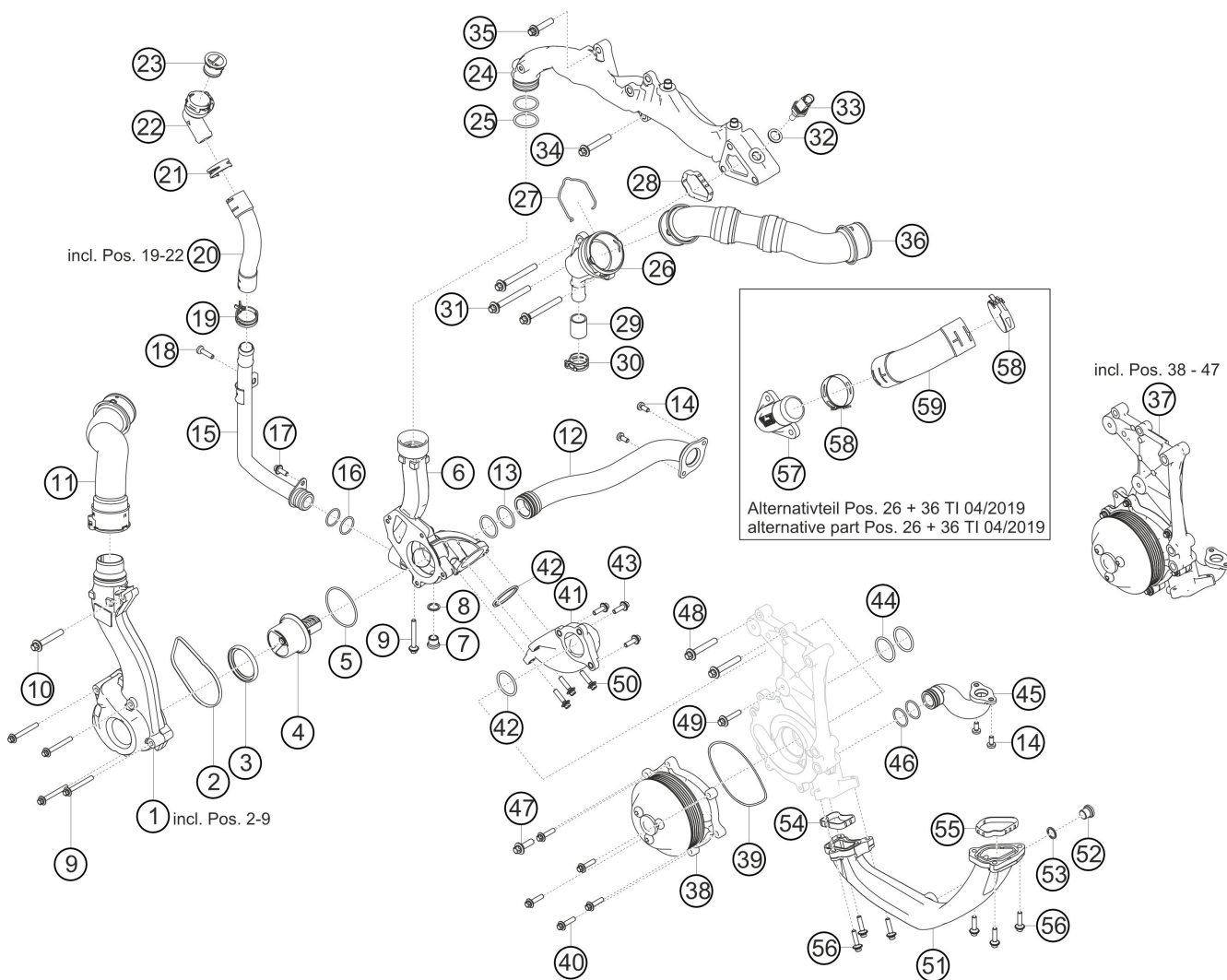


1.13 central oil-supply system



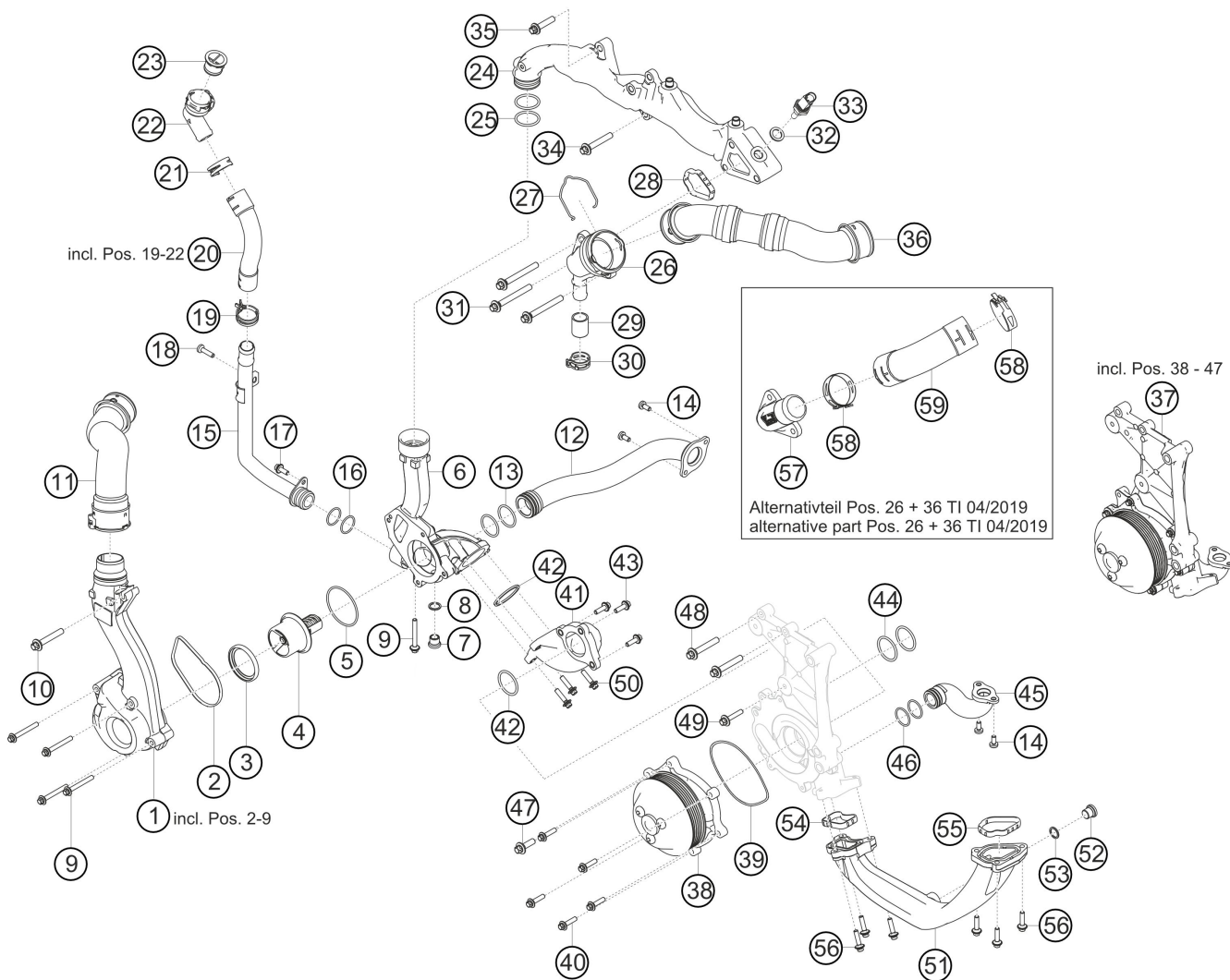
Item no.	Description	M	Pc.	Material
1	AS OIL LINE		1	9A110716792
2	N 90037701		1	N 90037701
3	SLEEVE		1	9A110764391
4	99970769940		2	99970769940
5	O-RING		1	99970747240
6	PAN-HEAD SCREW BM 6X16 10.9		4	90038500901
7	PAN-HEAD SCREW BM 6X25 10.9		1	90038507201
8	AS CARTRIDGE COI		1	9A110204182
9	99970715542		2	99970715542
10	RETAINING PANEL		1	9A110244194
11	SCREW-IN NECK		2	9A110233190

1.14 engine water circuit



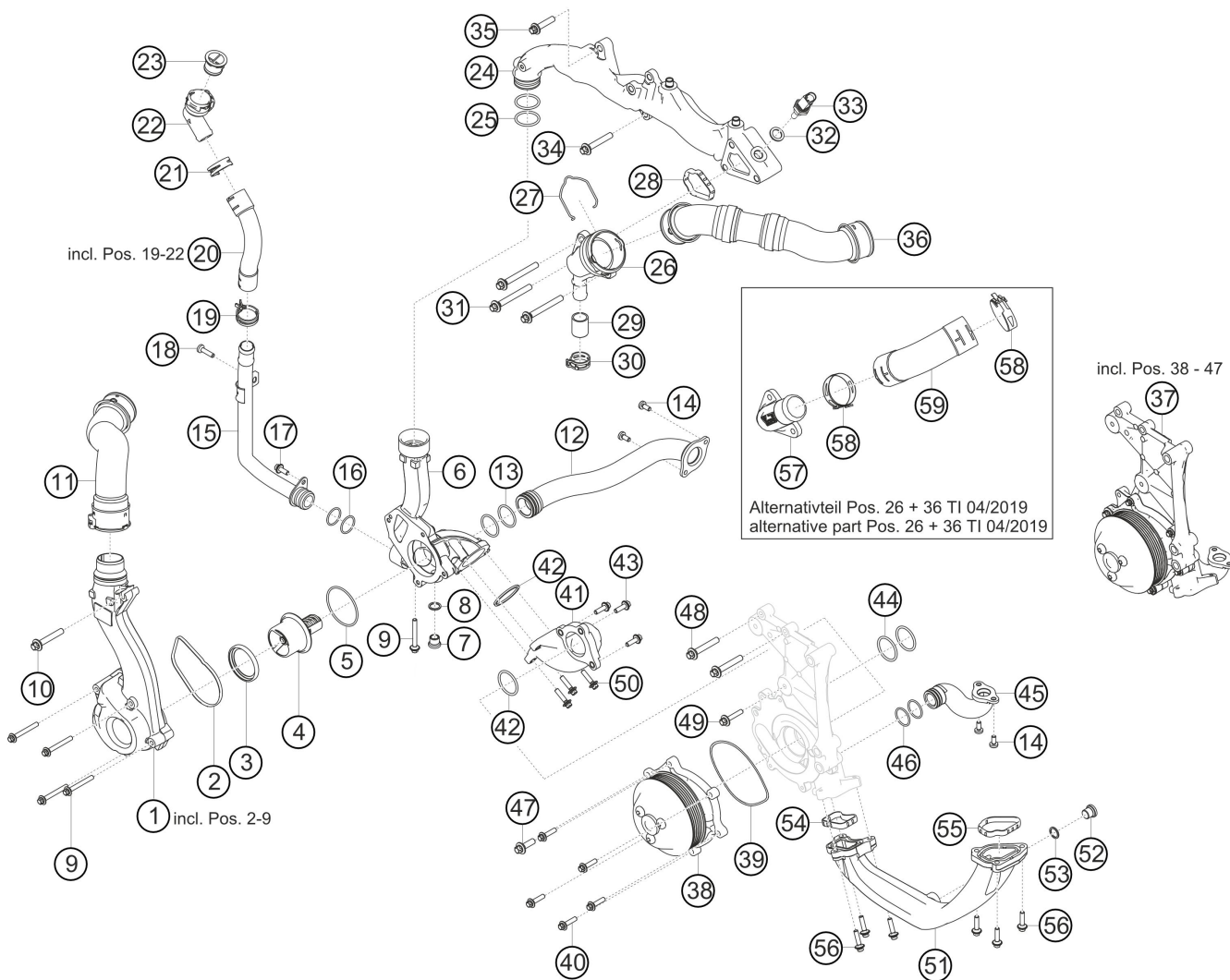
Item no.	Description	M	Pc.	Material
1	Z THERMOSTAT HOUSING	X	1	9GT121116A
2	99970771040		1	99970771040
3	SEALING RING THERMOSTAT		1	9A110655800
4	THERMOSTAT	X	1	9A110622596
5	O-RING 59,00X2,50N		1	99970762540
6	THERMOSTAT HOUSING		1	9A110615095
7	SCREW PLUG M14X1,5X15		1	99906303801
8	SEALING RING 14X18		1	90012317320
9	HEXAGON HEAD BOLT BM 6X50 D34801 10.9 26B1		5	90038507001
10	HEXAGON-HEAD SCREW BM 6X35		1	90038527001
11	COOLANT HOSE RETURN		1	99110683280
12	WATER PIPE RETURN		1	9A110662697
13	O-RING 31,00X3,00N PN 707 10/ FKM-70 GN		2	99970769140
14	ROUND HEAD SCREW M6X14		4	99907360101
15	FILLING LINE EQUALIZING TANK		1	9A110685190
16	O-RING 23,0X3,00		2	99970765840
17	PAN-HEAD SCREW BM 6X16 10.9		1	90038500901
18	SCREW M6X25		1	9A110731301
19	CLAMP B27X12		1	99951265809
20	FILLING HOSE EQUALIZING TANK		1	9A110685290
21	HOSE CLAMP LEFT		1	99951255101
22	QUICK COUPLING CONNECTION EQUALIZING TANK		1	9A110653500
23	PLUG		1	9A110654600

1.14 engine water circuit



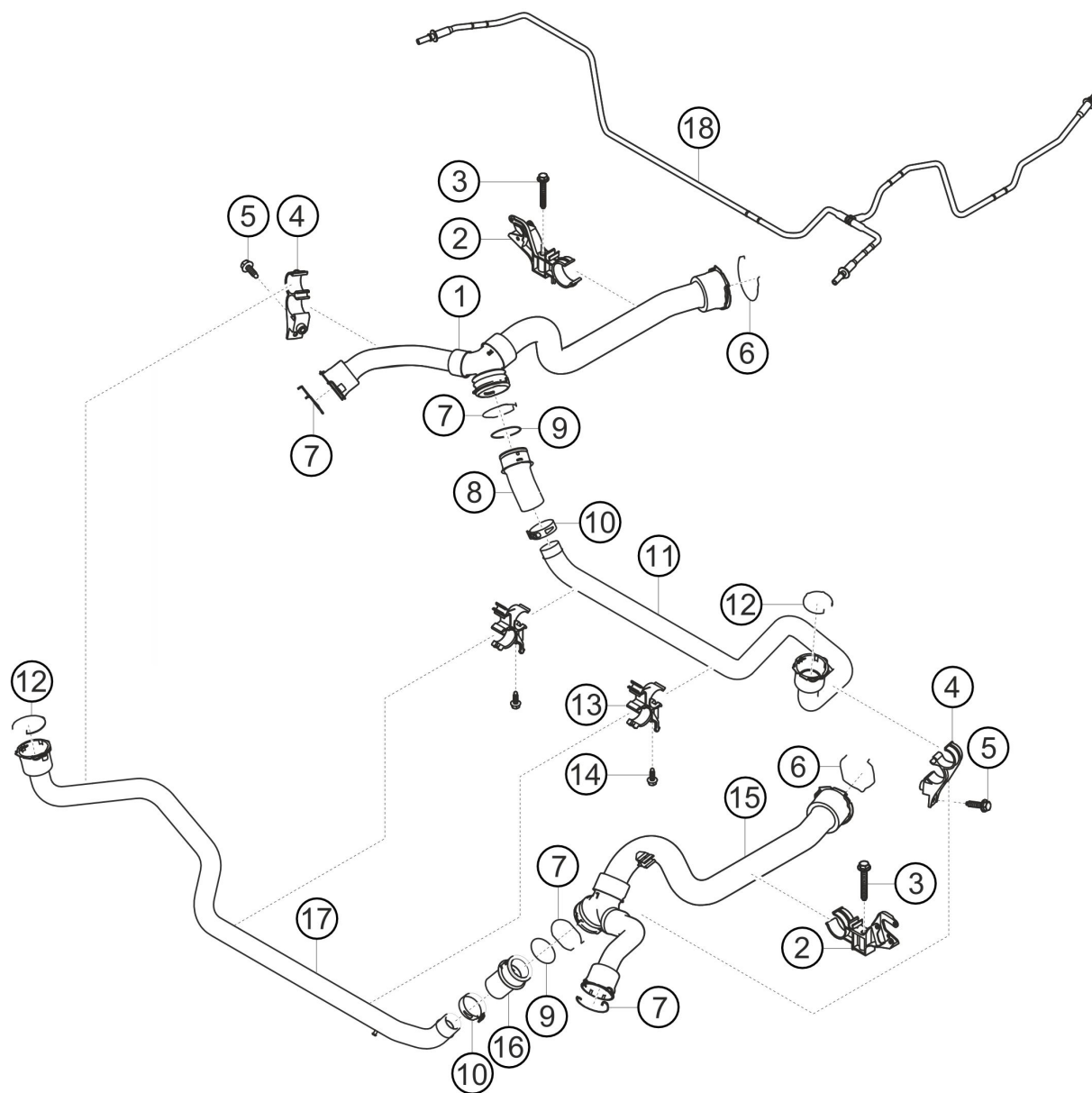
Item no.	Description	M	Pc.	Material
24	AS AGGREGATE SUPPORT		1	9A110201202
25	O-RING 31,00X3,00		2	99970758940
26	AS WATER NECK		1	9A110603191
27	LATCHING SPRING COUPLING BY HENN CO.		1	99710680203
28	SEALING CONSOLE,CC,CYL.4-6		1	9A110232200
29	PLUG		1	9A110653190
30	CLAMP B26X12		1	99951265709
31	TORX SCREW CM 8X70		3	90038511501
32	SEALING RING 14X20		1	90012311121
33	TEMPERATURE SENSOR COOLANT		1	94860642001
34	HEXAGON HEAD BOLT BM 8X50 D34801 10.9 26B1		1	90038507101
35	TORX SCREW BM 8X35 D34801 10.9 26B1		1	90038504201
36	COOLANT HOSE SUPPLY	X	1	9911068339A
37	AS WATER-PUMP HOUS.		1	9A110603991
38	AS WATER PUMP		1	9A110604802
39	SEALING WATER PUMP		1	9A110621700
40	PAN-HEAD SCREW BM 6X25 10.9		5	90038507201
41	CONNECTING PIPE		1	0PB121076
42	SEALING RING		2	0PB121437
43	HEXAGON HEAD BOLT BM 6X20 D34801 10.9 26B1		3	90038501901
44	O-RING 34,00X3,00N PN 707 7/EPDM SW		2	99970760440
45	WATER PIPE FEED WATER PUMP		1	9A110662197
46	O-RING 22,00X3,0		2	99970751741

1.14 engine water circuit



Item no.	Description	M	Pc.	Material
47	TORX SCREW BM 8X25		1	90038511401
48	HEXAGON HEAD BOLT BM 8X50 D34801 10.9 26B1		2	90038507101
49	HEXAGON HEAD BOLT BM 6X20 D34801 10.9 26B1		1	90038501901
50	PAN-HEAD SCREW BM 6X25 10.9		3	90038507201
51	AS WATER PIPE		1	9A110602591
52	SCREW PLUG M14X1,5X15		1	99906303801
53	SEALING RING 14X18		1	90012317320
54	GASKET WATER PUMP		1	0PB121139
55	SEAL BANK 2		1	0PB121149
56	PAN-HEAD SCREW BM 6X25 10.9		6	90038507201
57	Z ADAPTER	X	1	9F0121131
58	CLAMP B44X12		2	99951266709
59	COOLANT HOSE	X	1	9F0121548

1.15 front water circuit

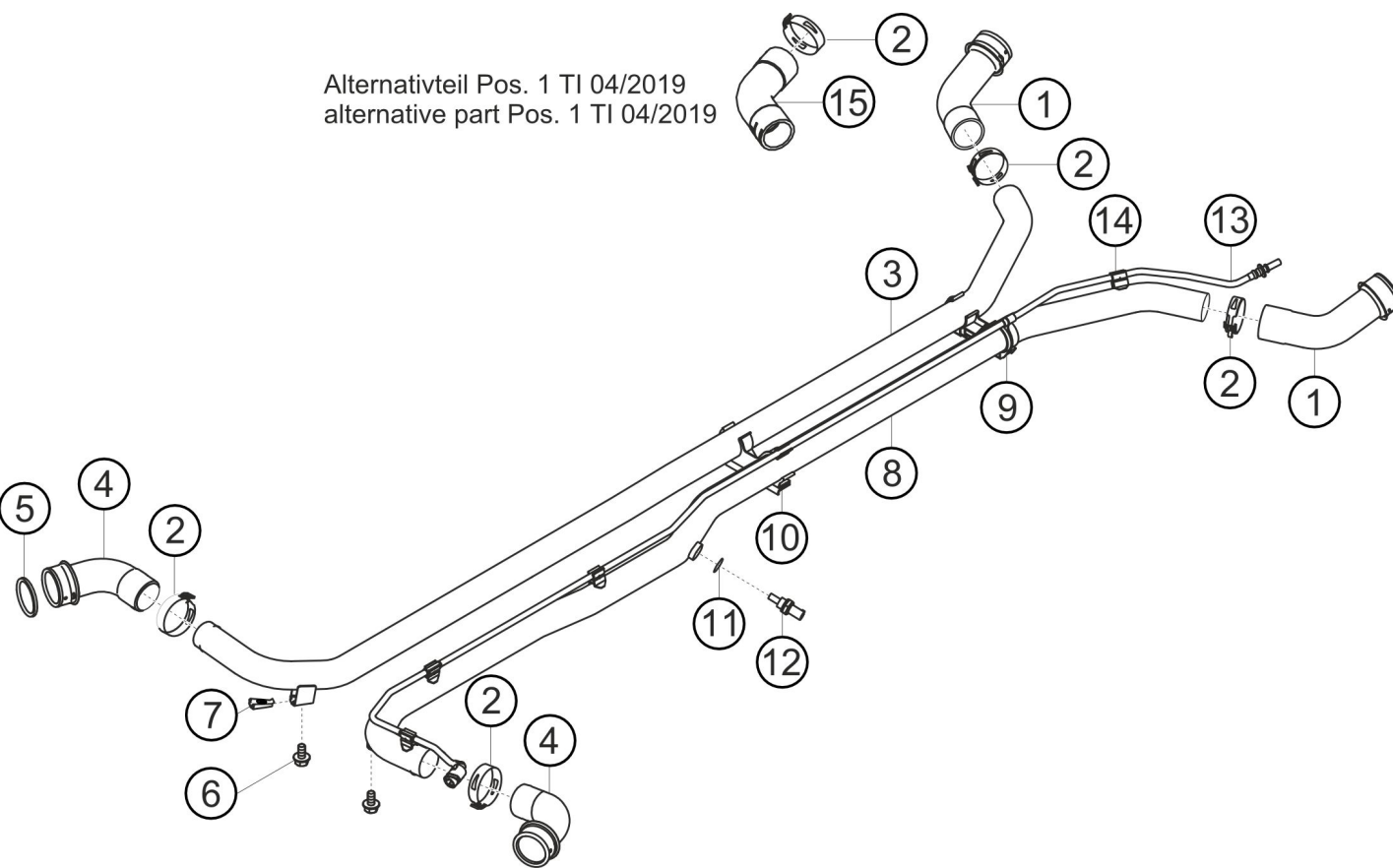


Item no.	Description	M	Pc.	Material
1	DISTRIBUTOR TUBE RIGHT		1	99110675203
2	SUPPORT DISTRIBUTOR		2	99110641303
3	HEXAGON-HEAD SCREW AM 6X45		2	90037827001
4	SUPPORT CROSS TUBE		2	99110652502
5	HEX-HEAD SCREW M6X35		2	90037814101
6	LATCHING SPRING COUPLING BY HENN CO.		2	99710680203
7	LATCHING SPRING COUPLING BY HENN CO.		4	99710680201
8	WATER HOSE		1	99110672400
9	COUPLING BY HENN CO.		2	99610680102
10	CLAMP B36X12		2	99951266409
11	CROSS TUBE		1	99110671102
12	LATCHING SPRING COUPLING BY HENN CO.		2	99710680201
13	SUPPORT CROSS TUBE		2	99110652702
14	HEXAGON HEAD BOLT M6X20-PA EN1665 8.8 26B1		2	90037817301
15	AS DISTRIBUTOR TUBE LH	X	1	9911067519C
16	WATER HOSE		1	99110672300
17	CROSS TUBE		1	99110672002
18	VENT LINE TRANSVERSE		1	99110676703

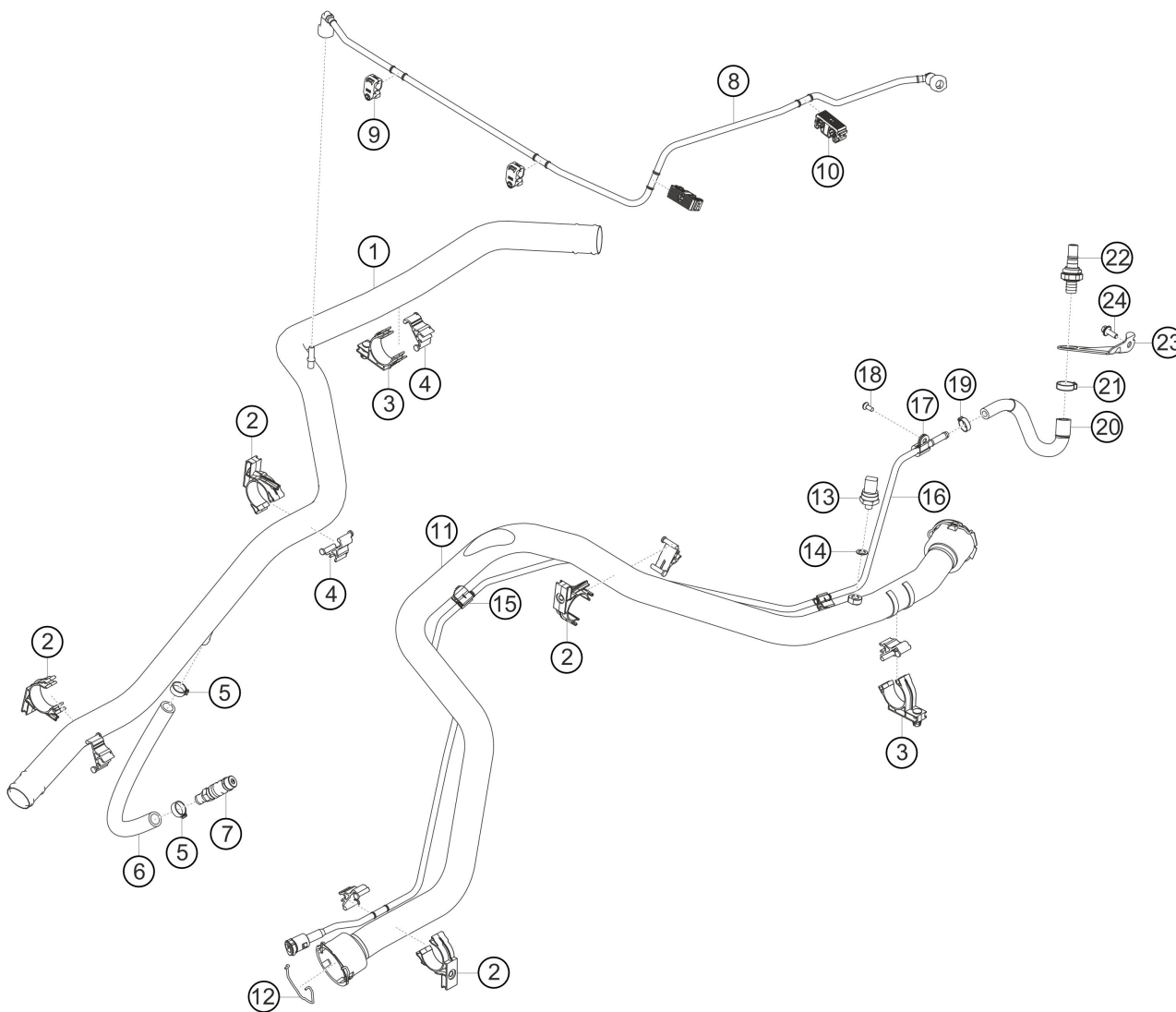
1.16 mid water circuit

Alternativteil Pos. 1 TI 04/2019
alternative part Pos. 1 TI 04/2019

Item no.	Description	M	Pc.	Material
1	WATER HOSE		2	99110674001
2	CLAMP B44X12		4	99951266709
3	COOLING WATER TUBE SUPPLY		1	99110665102
4	WATER HOSE		2	99110655101
5	RUBBER O-RING		4	99610680103
6	HEXAGON-HEAD SCREW M 6X16		2	90037815501
7	SPEED NUT M 6 C45 C642		2	99950724601
8	COOLING WATER TUBE RETURN LINE		1	99110665202
9	SUPPORT WATER TUBE		1	99110654101
10	SUPPORT WATER HOSE		1	99110654001
11	SEALING RING 14X20		1	90012311121
12	TEMPERATURE SENSOR COOLANT		1	94860642000
13	VENT LINE		1	99110622703
14	SUPPORT		4	99110651202
15	COOLANT HOSE	X	1	9F0121548

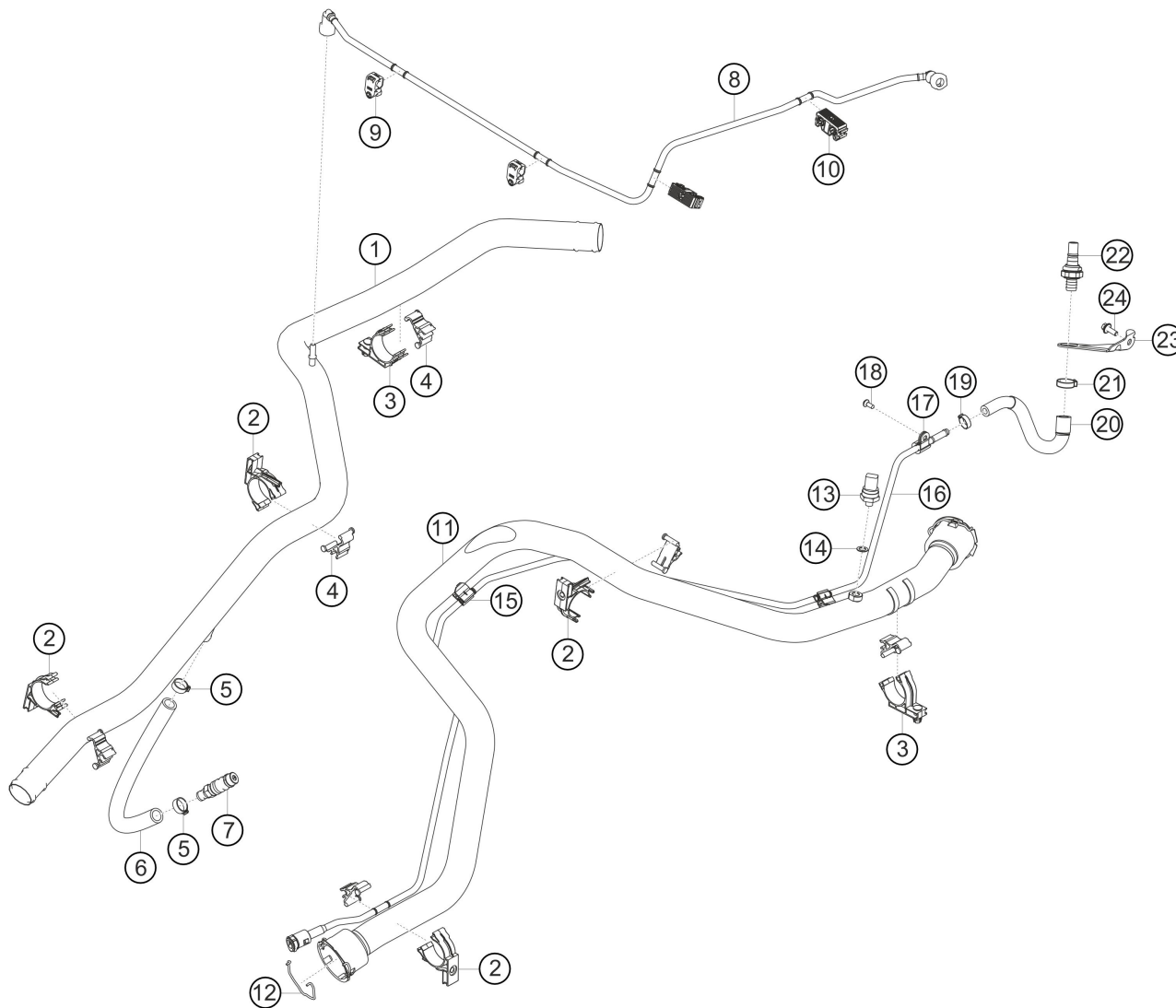


1.17 rear water circuit



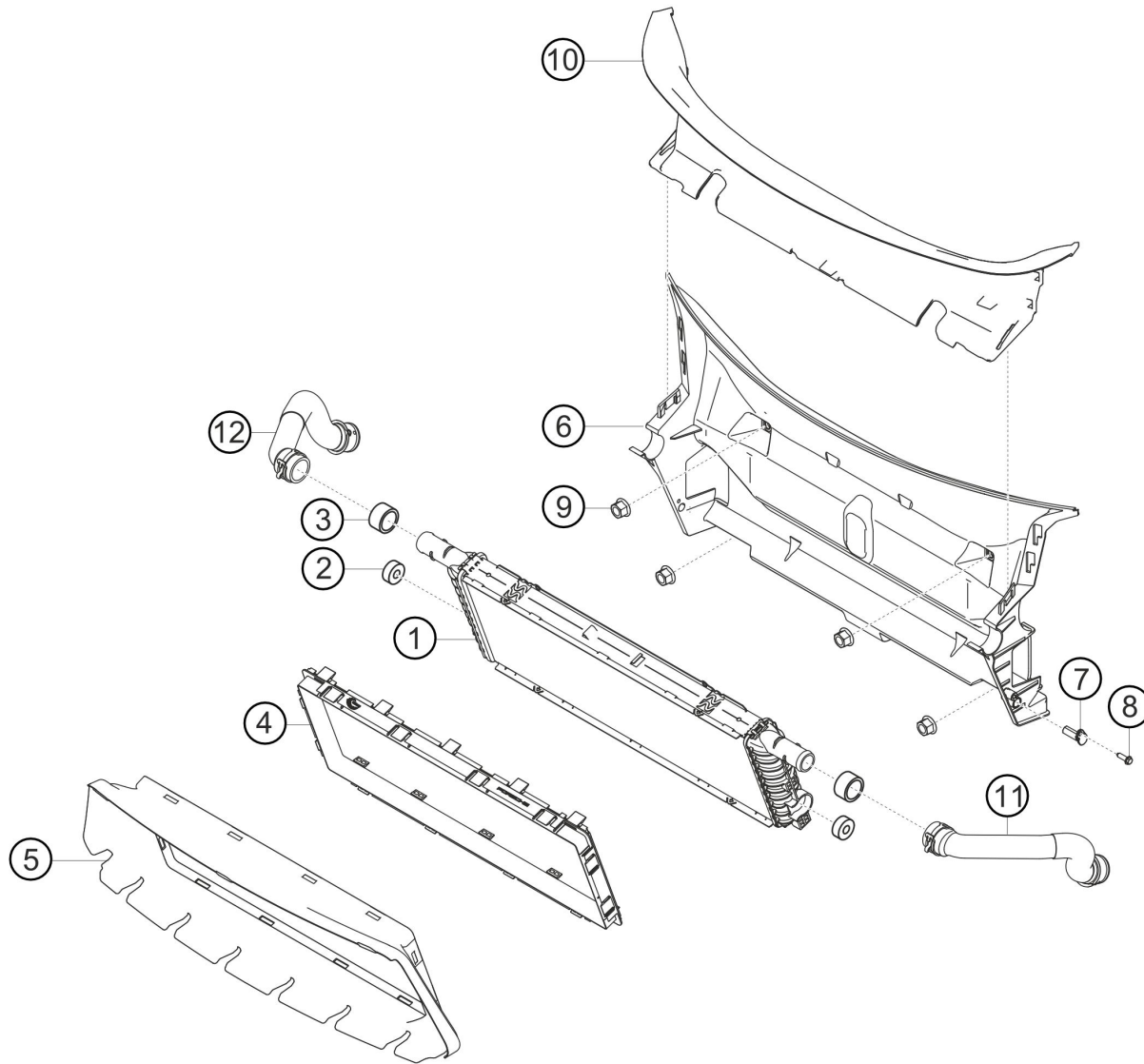
Item no.	Description	M	Pc.	Material
1	COOLANT PIPE SUPPLY	X	1	9F0121568
2	HOLDER WATER PIPE		4	99110641502
3	SUPPORT WATER TUBE		2	99110641703
4	HOLDER	X	6	9911064189A
5	CLAMPING CLIP 18,2-21,0 X5CRNI18-10		2	99951245700
6	HOSE GEARBOX COOLING	X	1	9911067619A
7	QUICK COUPLING RIGHT	X	1	9971068869A
8	VENT LINE ENGINE	X	1	9A11065509A
9	CLIP	X	2	7P5121136
10	SUPPORT		2	8K0611797B
11	COOLANT PIPE RETURN	X	1	9911068099E
12	LATCHING SPRING COUPLING BY HENN CO.		4	99710680203
13	PRESSURE SENSOR	X	1	9F0906075
14	SEALING RING A 10x13,5 D 7603 AL F12		1	90012314430
15	SUPPORT		3	99110651202
16	VENT LINE REAR END	X	1	9911066819D
17	CLAMP D1 8X15		1	99951115301
18	SCREW FILL. HD		1	99991912109
19	CLAMP 13,9-16,1 W4		1	99951256801
20	VENT HOSE	X	1	99110668791
21	CLAMPING CLIP 18,2-21,0 X5CRNI18-10		1	99951245700
22	QUICK COUPLING LEFT	X	1	9971068859A
23	HOLDER SEPARATOR EQUALIZING TANK	X	1	9911063838C

1.17 rear water circuit



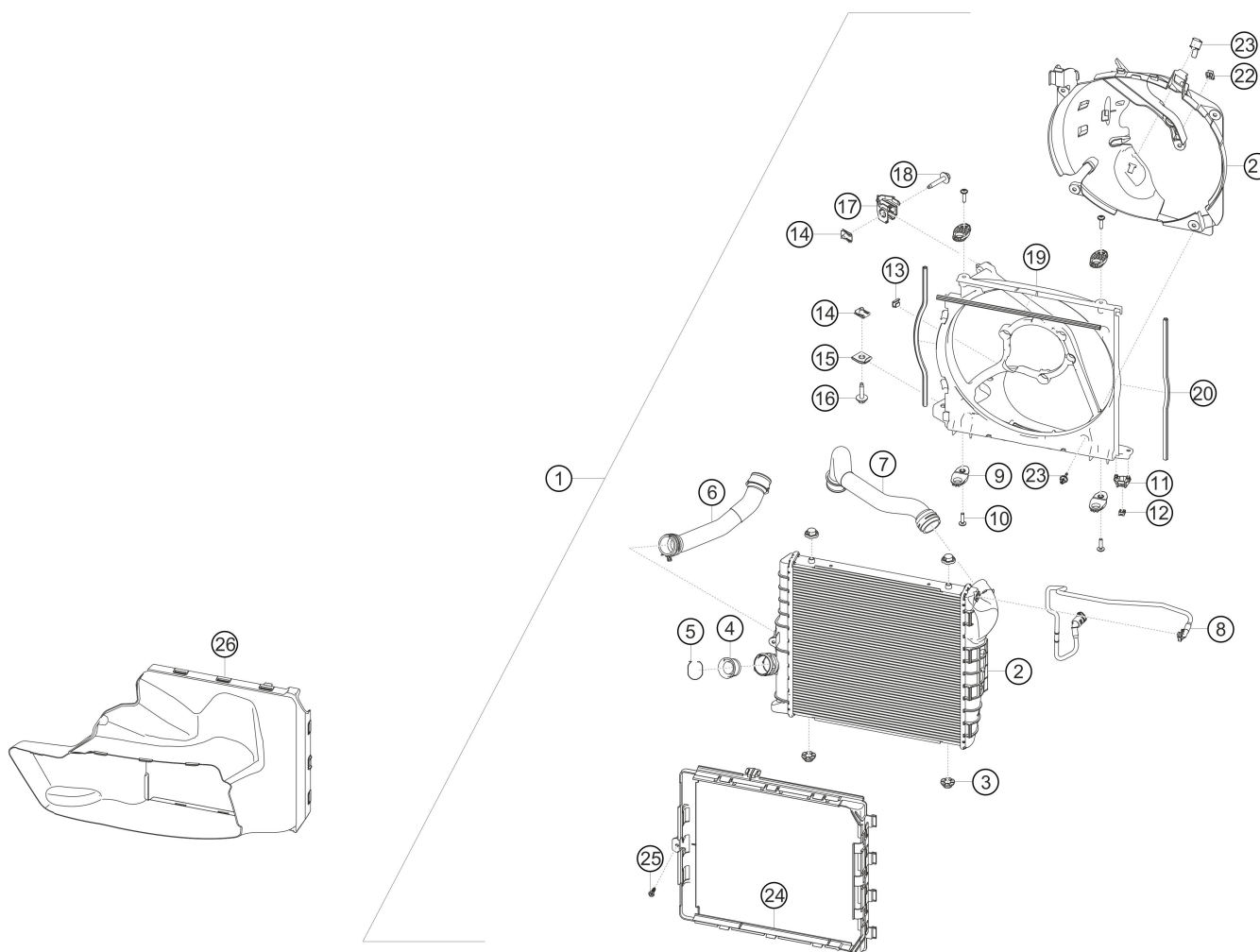
Item no.	Description	M	Pc.	Material
24	HEX-HEAD SCREW M6X25		1	N 91108701
25	COOLANT PIPE SUPPLY	X	1	9F0121568
26	CLAMP B44X12		4	99951266709
27	COOLANT HOSE	X	2	9F0121548

1.18 mid radiator



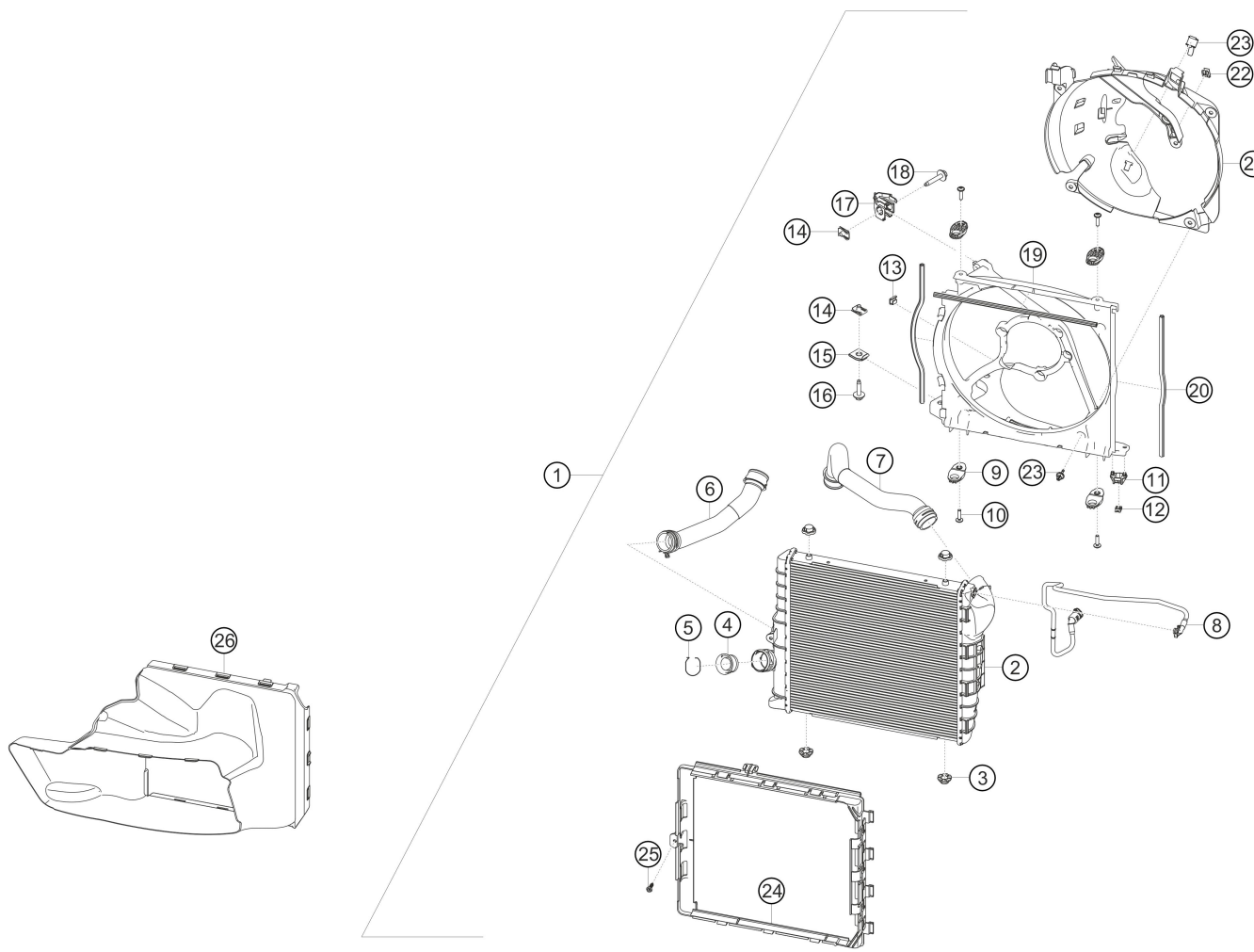
Item no.	Description	M	Pc.	Material
1	AS RADIATOR CENTER	X	1	99110603890
2	RUBBER MOUNT LOWER		2	99110653803
3	RUBBER MOUNTING UPPER		2	99110653701
4	SEALING FRAME		1	99110633801
5	AIR ROUTING INTAKE RADIATOR CENTER		1	99157514180OK1
6	AS RADIATOR FRAME CENTER		1	991504487911E0
7	BEARING BOLT RADIATOR		2	99150458790
8	HEXAGON-HEAD SCREW 6,0X20,0		2	99991913309
9	HEX-HEAD NUT M6-SL		4	99908463801
10	AIR ROUTING EXHAUST RADIATOR CENTER		1	991504489901E0
11	COOLANT HOSE CENTER,LH		1	99110664991
12	COOLANT HOSE CENTER,RH		1	99110664891

1.19 side mounted radiators



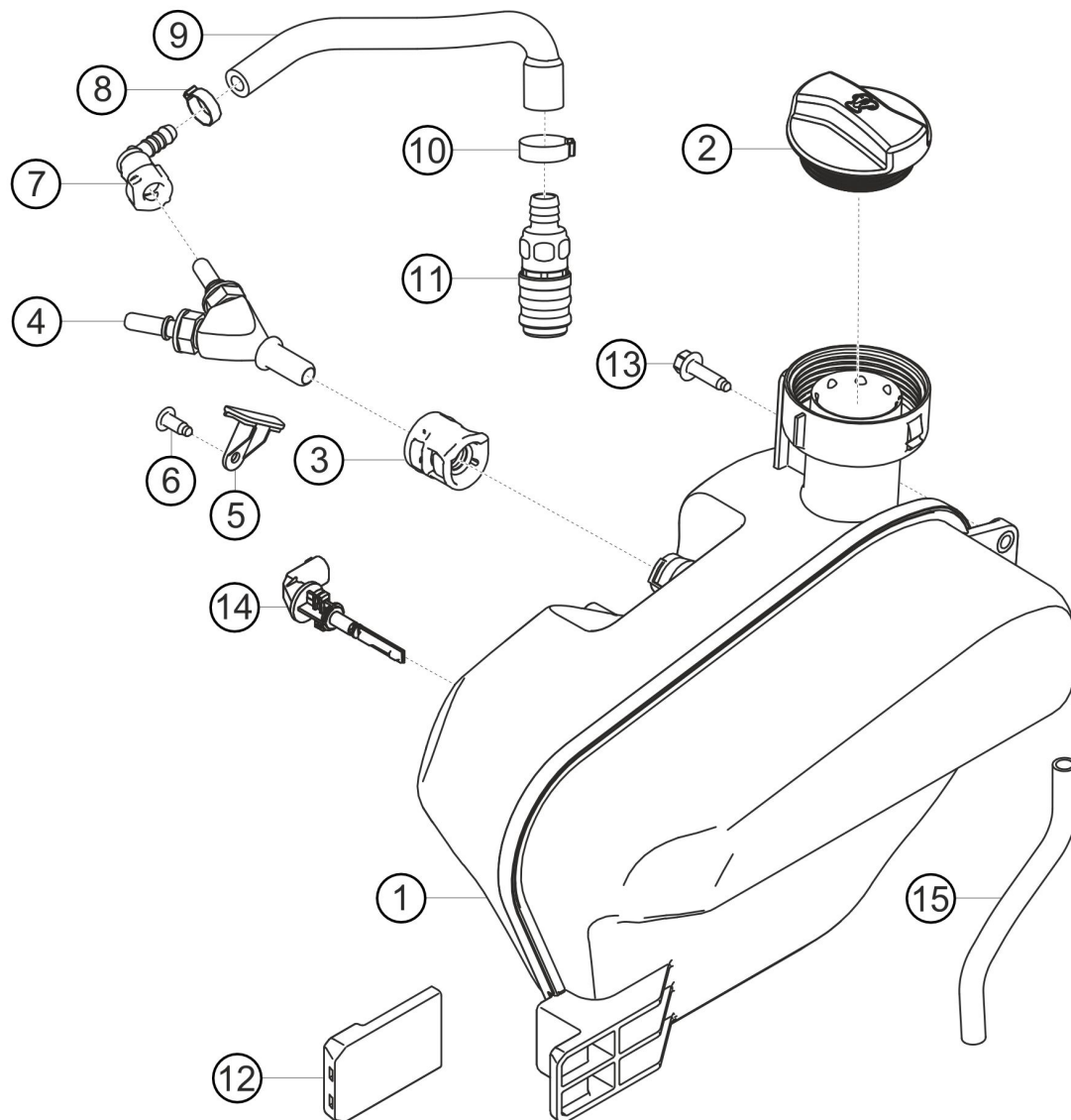
Item no.	Description	M	Pc.	Material
1	AS RADIATOR MODULE RIGHT	X	1	9P1121250B
1	AS RADIATOR MODULE LEFT	X	1	9P1121249B
2	Z RADIATOR		1	9P1121252
2	Z RADIATOR		1	9P1121251
3	RUBBER MOUNT RADIATOR		4	99110633101
4	STOPPER		1	99110654601
5	LATCHING SPRING COUPLING BY HENN CO.		1	99710680200
6	COOLANT HOSE BOTTOM RIGHT		1	9P1121624
6	COOLANT HOSE BOTTOM LEFT		1	9P1121623
7	COOLANT HOSE TOP RIGHT		1	9P1121612
7	COOLANT HOSE TOP LEFT		1	9P1121611
8	BREATHER PIPE RH		1	9P1121466
8	BREATHER PIPE LH		1	9P1121465
9	BRACKET		4	9P1121241
10	LENS-HEAD SCREW 6,0X25,0		4	99991925801
11	SPACER		1	992121277
12	SPEED NUT		1	99959149903
13	CAP		1	9P1121299
14	SPEED NUT M8		3	99959186903
15	CLAMP		2	99110635503
16	SCREW M8X25		2	N 0195307
17	CAP		1	99110625502
18	HEXAGON-HEAD BOLT AM8X50-U-WV60429 8.8-S14-L *		1	N 10572802

1.19 side mounted radiators



Item no.	Description	M	Pc.	Material
19	BRACKET,RADIATOR LH		1	9P1121383
19	BRACKET,RADIATOR RH		1	9P1121384
20	GASKET		3	9P1121228
21	AIR DUCT ELEMENT EXHAUST RADIATOR LEFT	X	1	9P1121333A
21	AIR DUCT ELEMENT EXHAUST RADIATOR RIGHT	X	1	9P1121334A
22	SPEED NUT ST4,8		1	99950775901
23	BRACKET PREASSEMBLY		1	9P1121724
24	SEAL FRAME	X	1	9P1820860A
25	HEXAGON-HEAD SCREW 6,0X20,0		1	99991913309
26	AIR ROUTING INTAKE RADIATOR RIGHT		1	99157532280OK1
26	AIR ROUTING INTAKE RADIATOR LEFT		1	99157532180OK1

1.20 water expansion tank



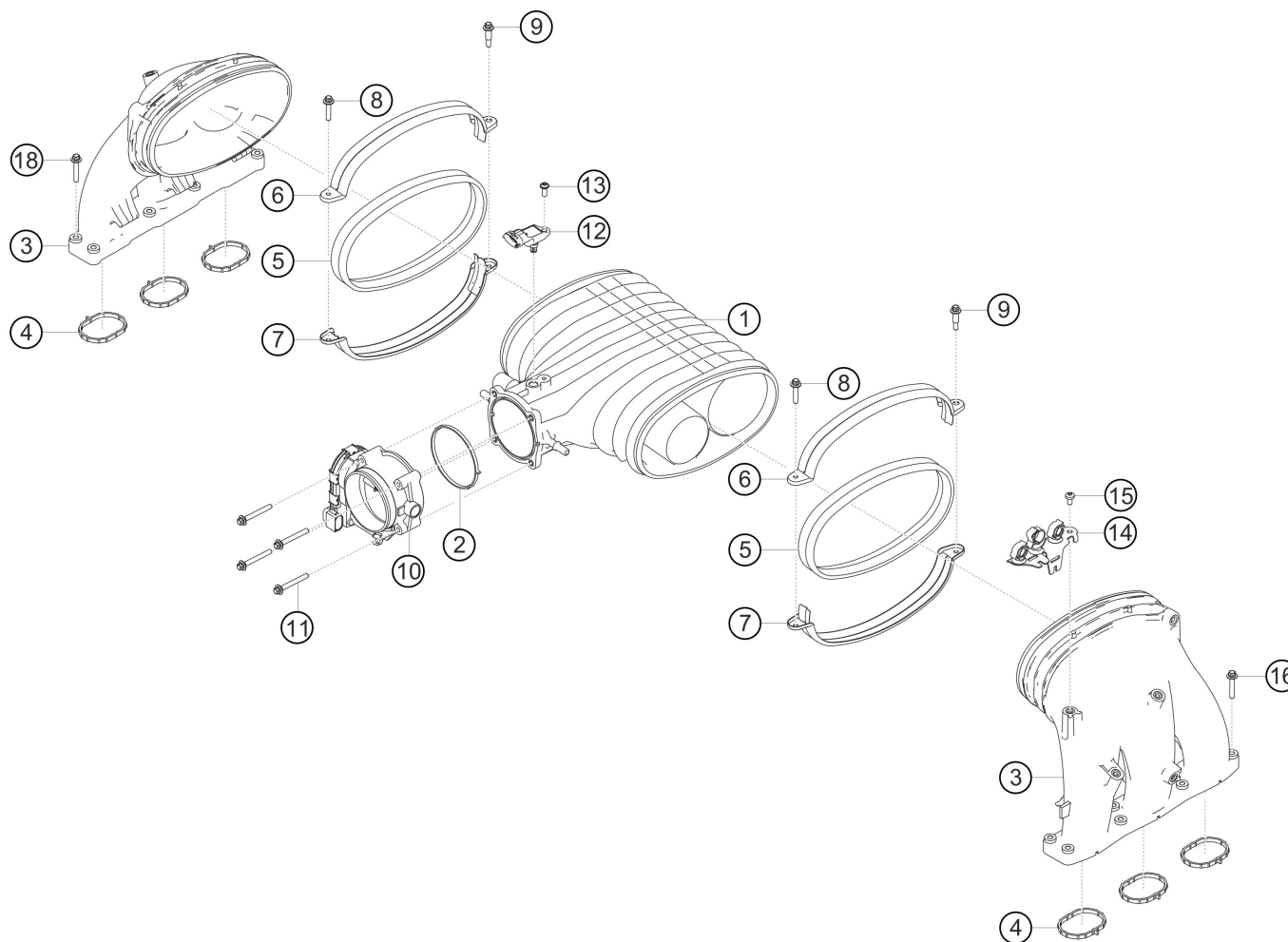
Item no.	Description	M	Pc.	Material
1	AS EQUALIZING TANK COOLANT	X	1	9911060579C
2	CLOSURE CAP COOLANT		1	99110645702
3	COUPLING DN 11,8 * PA66/EPDM TKS		1	99923059540
4	9911066718C	X	1	9911066718C
5	SUPPORT BLEEDER VALVE		1	99110644901
6	OVAL-HEAD SCREW 5,0X12,0-Q ST 26B0		1	99991916401
7	QUICK COUPLING	X	1	9971068638A
8	CLAMP 13,9-16,1 W4		1	99951256801
9	COOLANT HOSE	X	1	99710668793
10	CLAMPING CLIP 18,2-21,0 X5CRNI18-10		1	99951245700
11	QUICK COUPLING RIGHT	X	1	9971068869A
12	RUBBER HOLDER		1	99110635701
13	HEX-HEAD SCREW M6X25		1	N 91108701
14	SENSOR WATER RESERVOIR COOLANT		1	97060650300
15	OVERFLOW HOSE		1	99110629700

1.21 fuel distribution system



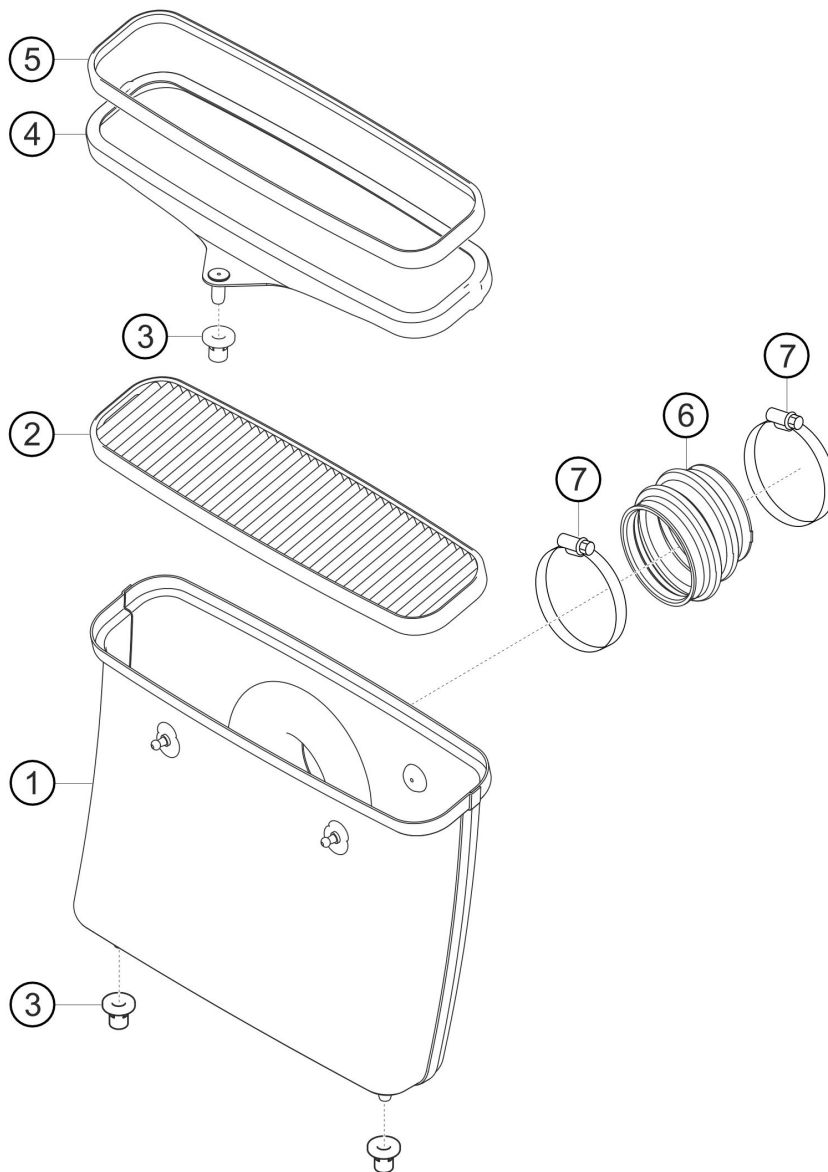
Item no.	Description	M	Pc.	Material
1	FUEL RAIL CYL. 1-3		1	9A111084990
2	FUEL RAIL CYL. 4-6		1	9A111085991
3	BLANK HOLDER INJECTOR MOUNTING		6	9A111075991
4	AS HP INJECTOR		6	9A111012892
5	R-KIT HP INJECTOR		6	9A111090891
6	HIGH PRESSURE SENSOR		2	06J906051F
7	PAN-HEAD SCREW BM 6X16 10.9		4	90038500901
8	HIGH-PRESSURE LINE FUEL RAIL CYL. 1-3		1	9A111033192
9	PAN-HEAD SCREW BM 6X12 10.9		2	90038504101
10	SPEED NUT M6 C45 C642		2	99959188201
11	SCREW PLUG M12X1,5		2	90021900601
12	AS HOLDER HIGH-PRESSURE LINE		2	9A111053191
13	HIGH-PRESSURE LINE FUEL RAIL CYL. 4-6		1	9A111033291
14	HIGH-PRESSURE PUMP W. CONNECTING CABLE	X	2	9A11103159A
15	SEALING HIGH-PRESSURE PUMP		2	9A111081595
16	SCREW M6X25		4	9A110731301
17	CRASH SUPPORT HIGH-PRESSURE PUMP		1	9A111051591
18	AS FUEL LINE LOW PRESSURE	X	1	9A11109069C
19	PRESSURE SENSOR		1	06H906051J
20	TORX SCREW BM 8X12 D34801 8.8 26B1		1	90038509901

1.22 induction system



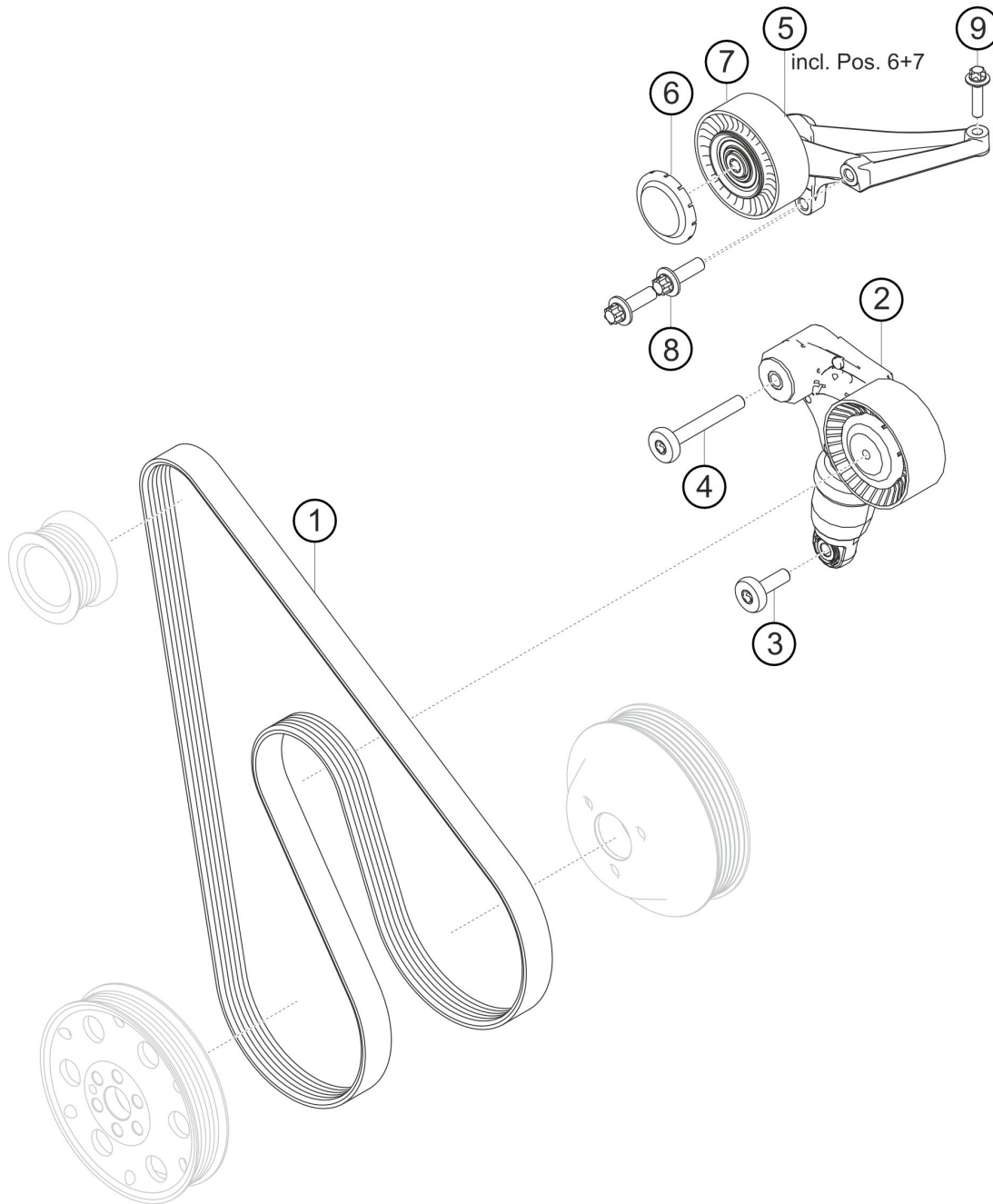
Item no.	Description	M	Pc.	Material
1	AS RESONANCE DISTRI.	X	1	9A11102539B
2	SEALING RESONANCE DISTRIBUT.		1	9A111022001
3	AS SUCT. DISTRIBUTOR		2	9A111001595
4	SEALING SUCTION DISTRIBUTOR		6	9A111021590
5	RUBBER SLEEVE		2	9A111068580
6	CLAMP		2	9A111021391
7	CLAMP		2	9A111021290
8	HEXAGON-HEAD SCREW BM 6X30		2	90038504801
9	TORX SCREW BM 6X30-MK		2	99907363001
10	THROTTLE EL. GAS		1	99760511601
11	HEXAGON HEAD BOLT BM 6X50 D34801 10.9 26B1		4	90038507001
12	PRESSURE SENSOR		1	94860618000
13	LENS-HEAD SCREW 6,0X15		1	99991924101
14	HOLDER LINES	X	1	9A11103219A
15	ROUND HEAD SCREW M6X12		2	99907318901
16	HEXAGON-HEAD SCREW BM 6X35		16	90038527001

1.23 air filter housing



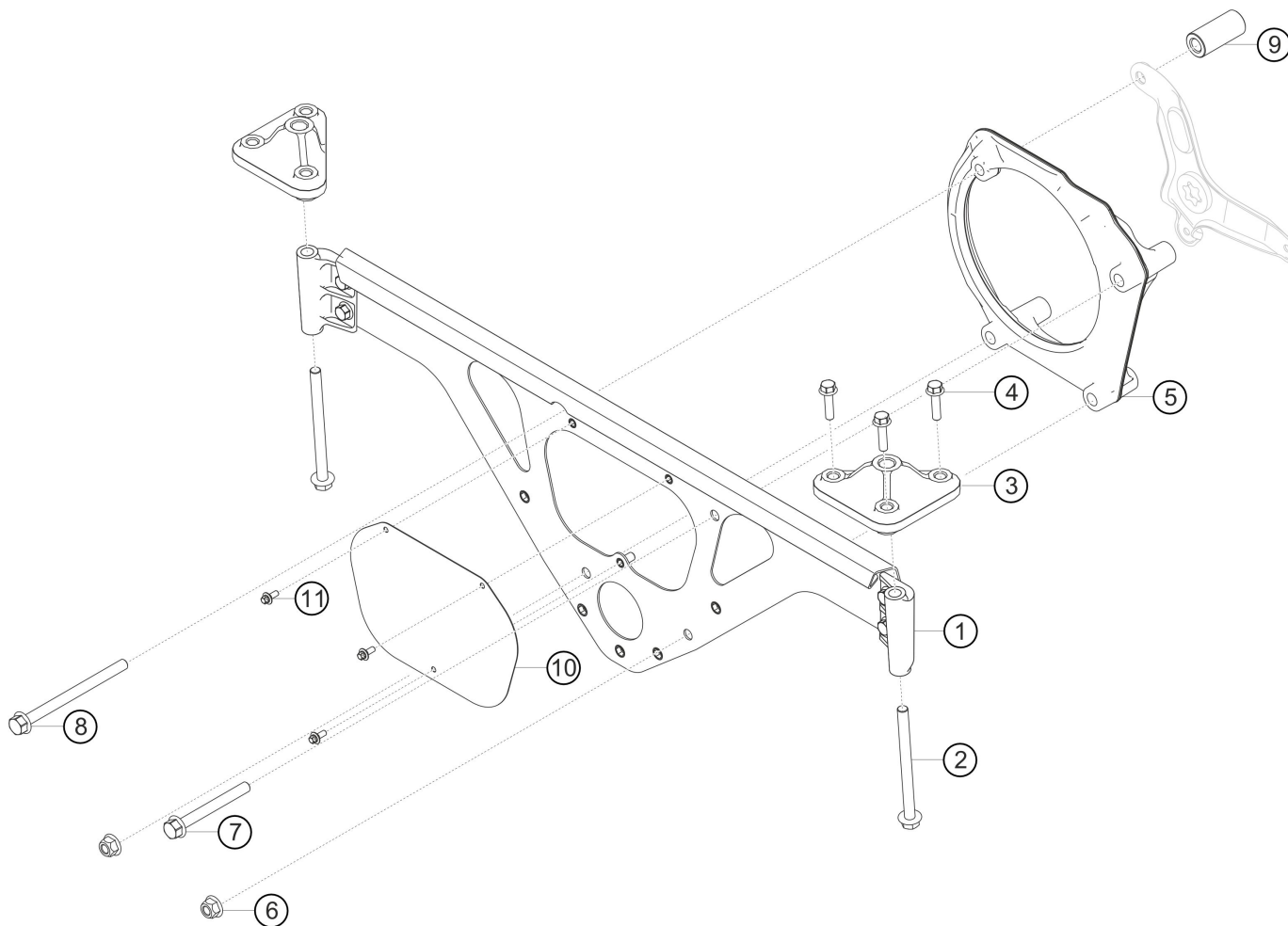
Item no.	Description	M	Pc.	Material
1	AIR-CLEANER BOX	X	1	9911101259D
2	AIR FILTER	X	1	9911101219A
3	BUSH 12X25,6X17 EPDM-G45 SW		3	99970326740
4	AS RETAINING FRAME AIR FILTER	X	1	9911100359B
5	SEALING L. 1100 MM	X	1	9911108359A
6	RUBBER SLEEVE THROTTLE	X	1	9911106219A
7	HOSE CLAMP A 90-110/ 9D 3017 W2 C343		2	99951253901

1.24 belt drive



Item no.	Description	M	Pc.	Material
1	RIBBED V-BELT		1	9A110221891
2	AS BELT TENSIONER HYDRAULIC		1	9A210201600
3	TORX SCREW M 8X26		1	99907341201
4	TORX SCREW M 8X60		1	99907341101
5	AS CONSOLE		1	9A110203092
6	PROTECTION CAP		1	03G145291
7	Z IDLER PULLEY DIA.=70		1	0PB145257
8	WHT008146		2	WHT008146
9	PAN-HEAD SCREW BM 6X25 10.9		1	90038507201

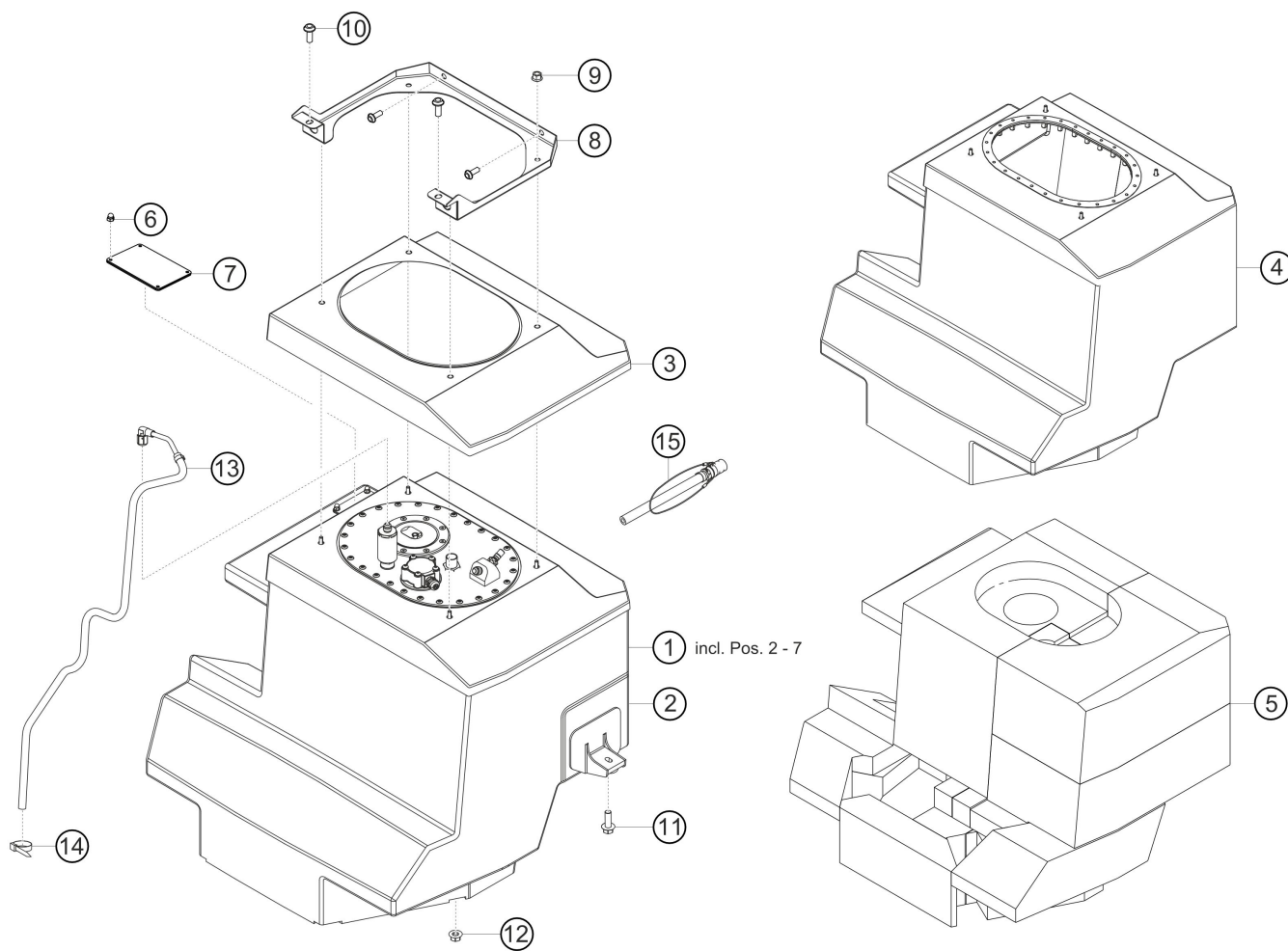
1.25 engine bracket



Item no.	Description	M	Pc.	Material
1	AS ENGINE BRACKET	X	1	9A13750149D
2	OUTER HEXAGON ROUND SCREW		2	90038528601
3	BRACKET	X	2	9F0813577A
4	HEXAGON-HEAD SCREW AM 8X40		6	90037805501
5	INTERMEDIATE FLANGE ENGINE SUSPENSION		1	9A137523611
6	HEX-HEAD NUT M10		2	N 10286110
7	HEX-HEAD SCREW AM10X92 10.9		1	90037833201
8	HEXAGON-HEAD SCREW M10X135		1	90037828601
9	SPACER SLEEVE ENGINE SUSPENSION		1	9A137524502
10	HEAT SHIELD RIBBED V-BELT	X	1	9A11022519C
11	TORX SCREW BM 5X12		3	90038511201

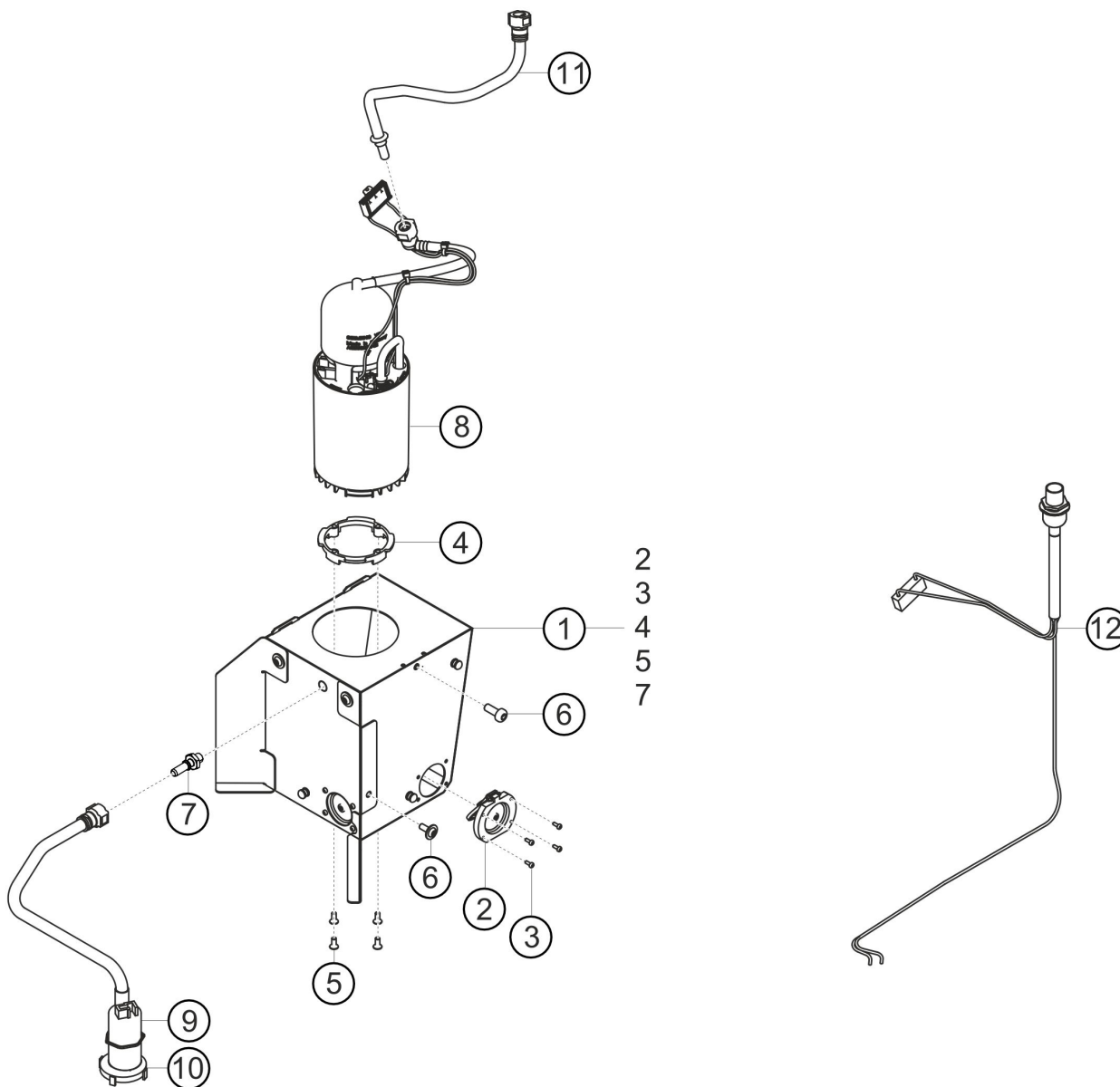
2 fuel tank and exhaust system

2.1 fuel tank



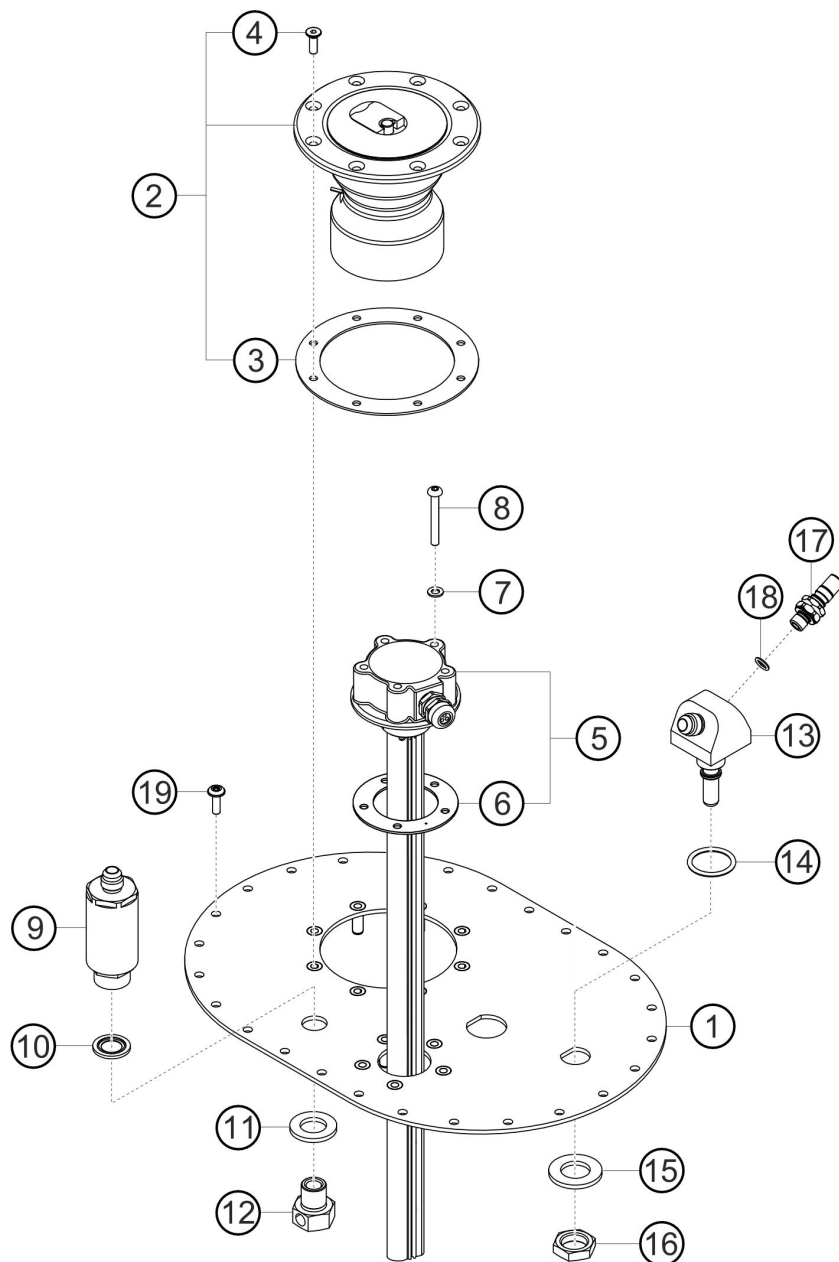
Item no.	Description	M	Pc.	Material
1	AS FUEL TANK	X	1	9912010138U
2	AS SUPPORTING SHELL	X	1	9912011058D
3	COVERING FUEL TANK	X	1	9912012058A
4	FUEL BLADDER	X	1	9912011038D
5	SET,FOAM PART FUEL TANK	X	1	9912011978J
6	COVERING	X	1	9912016178A
7	CAP NUT M5		4	90009601402
8	AS INSTALL.FRAME FUEL TANK	X	1	9915045358B
9	HEXAGON NUT M 6-S-SB * 8/200HV		4	99907607102
10	SCREW FILL. HD. M6X20-SC 8.8 26D1		4	99907332202
11	COMBINATION SCREW M8X40-S27		2	N 91159101
12	HEXAGON NUT M 6-S-SB * 8/200HV		4	99907607102
13	VENT LINE FUEL TANK	X	1	9912011438A
14	CABLE BINDER		1	99950709340
15	FUEL HOSE W.DRAIN COUPLING	X	1	99711035590

2.2 fuel pump



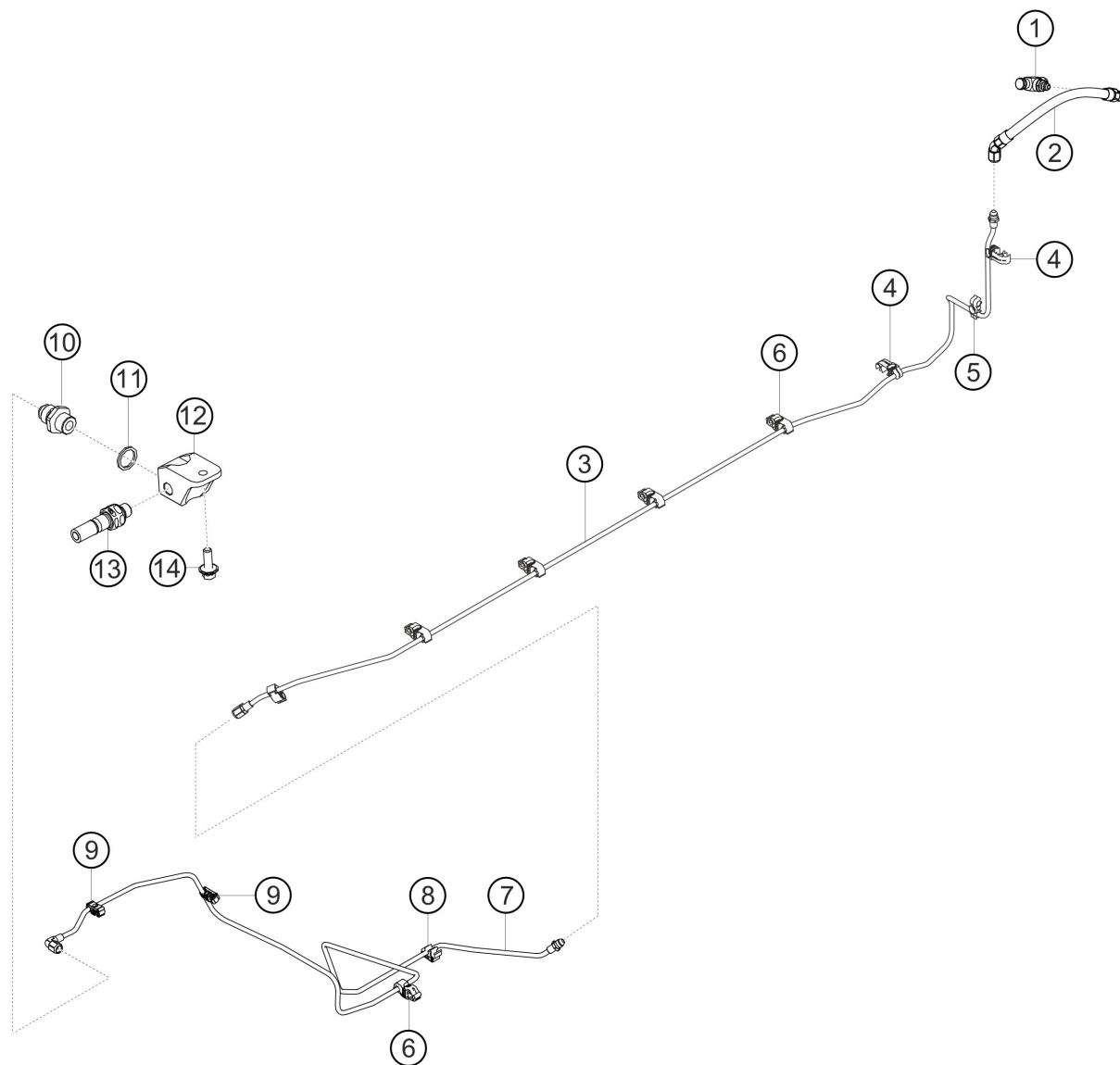
Item no.	Description	M	Pc.	Material
1	CATCH TANK	X	1	9912012018B
2	FLAP VALVE CATCH TANK	X	3	9912014078B
3	PAN-HEAD SCREW M3X 8 I14583 8.8 26D1	X	12	99907339801
4	BAYONET RING	X	1	9912013038A
5	COUNTERSUNK-HEAD SCREW M5X12		4	90024907201
6	SCREW FILL. HD. M6X16 8.8 S627		5	999073297A2
7	SCREW-IN NECK	X	1	9912015258B
8	AS SUPPLY UNIT	X	1	9916200418B
9	AS INTANK PUMP	X	1	9912013438A
10	FILTER INTANK PUMP	X	1	9912016378A
11	FUEL LINE FUEL PUMP	X	1	9912012178A
12	CABLE LOOM FUEL TANK	X	1	9912016978Q

2.3 refueling plate



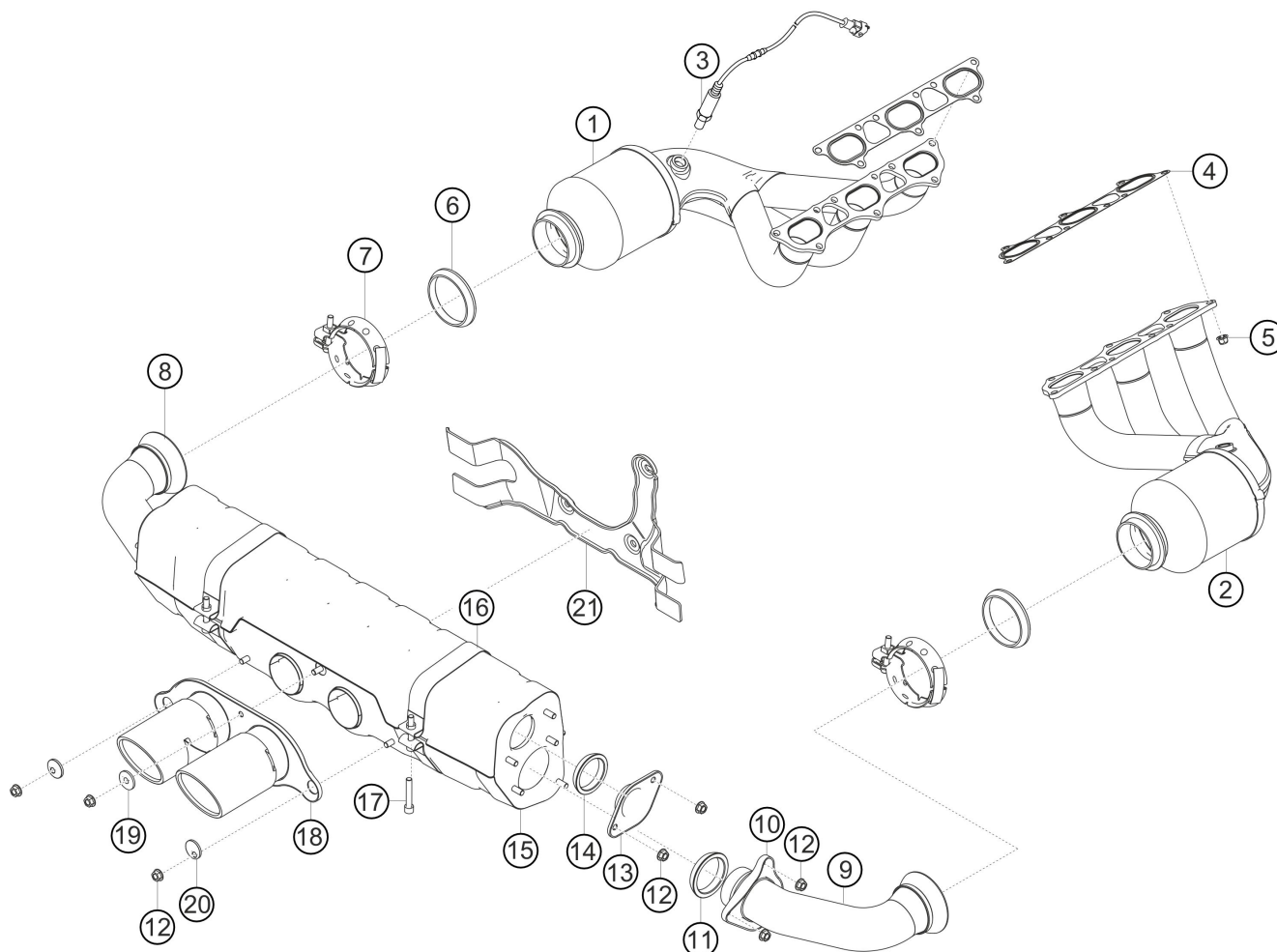
Item no.	Description	M	Pc.	Material
1	AS FUEL TANK CLOSURE PLATE	X	1	9912013178M
2	AS FILLER NECK FUEL	X	1	9912010438L
3	SEALING FILLER NECK	X	1	9912019358A
4	COUNTERSUNK SCREW	X	8	9912018859A
5	FUEL-LEVEL SENSOR	X	1	9916068318B
6	SEALING RING FUEL-LEVEL SENSOR	X	1	9912017338A
7	WASHER 5.3X10X1	X	5	N 01152320
8	OVAL-HEAD SCREW FUEL-LEVEL SENSOR	X	5	9912018568A
9	ROLLOVER VALVE	X	1	9912017358B
10	SEALING WASHER	X	1	9912018889A
11	WASHER VALVE	X	1	9912018578A
12	HOLLOW SCREW M16	X	1	9912018728A
13	CONNECTING NIPPLE FUEL TANK, SUPPLY	X	1	9912017178J
14	O-RING 25,00X3,0		1	99970749740
15	WASHER	X	1	9912018828A
16	NUT M18	X	1	9912018818A
17	QUICK COUPLING MALE	X	1	99711019190
18	O-RING 7X2		1	99970739240
19	SCREW FILL. HD. M5X16 8.8 S627		26	999073269A2

2.4 fuel lines



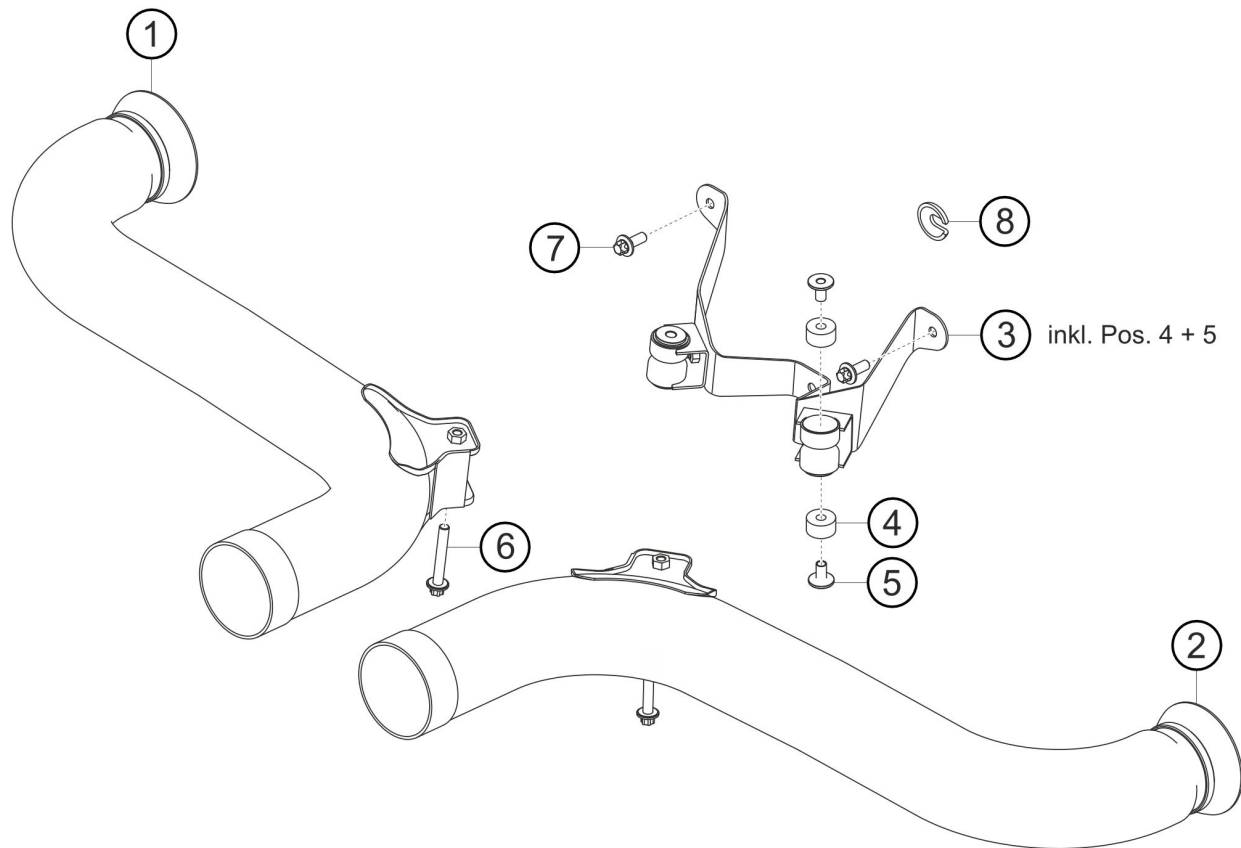
Item no.	Description	M	Pc.	Material
1	FUEL SAFETY VALVE	X	1	9912013218B
2	FUEL LINE	X	1	9912012958J
3	FUEL LINE PRESSURE LINE,FRONT	X	1	9912012618A
4	CABLE HOLDER		2	99950727340
5	HOLDER		1	99142351402
6	CABLE HOLDER 8,0/12,0 PA66 SW		6	99950726940
7	FUEL LINE PRESSURE LINE,REAR	X	1	9912012658D
8	CABLE HOLDER 8,0/10,0 PA66 SW		2	99950727040
9	SUPPORT		2	8K0611797B
10	ADAPTER 14x1,5	X	1	99910503230
11	AL.SEAL.RING 14X18 D 7603 ALMGS11 F28		1	90012300730
12	CLUTCH HOUSING W.DRAIN COUPLING	X	1	9911105939B
13	BREAKAWAY COUPLING PLUG	X	1	99711019191
14	PAN-HEAD SCREW BM 6X16 10.9		1	90038500901

2.5 exhaust system



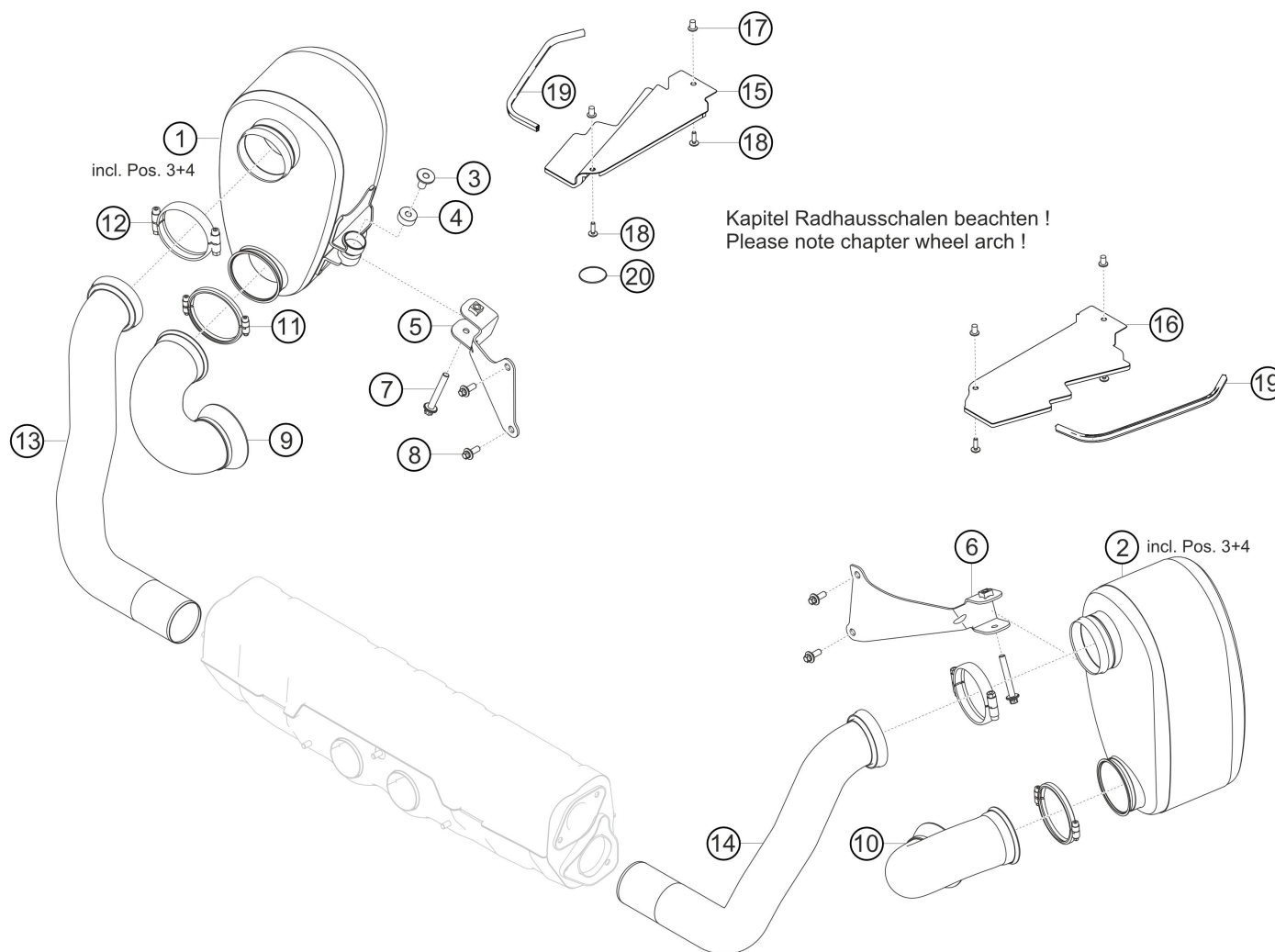
Item no.	Description	M	Pc.	Material
1	AS EXHAUST MANIFOLD CYL.1-3	X	1	99111302192
2	AS EXHAUST MANIFOLD CYL.4-6	X	1	99111302292
3	OXYGEN SENSOR PRE-CATALYST		2	9A160618101
4	SEALING EXHAUST MANIFOLD		2	9A111110790
5	HEXAGON NUT M8		18	99908464202
6	SEALING RING		2	98011156100
7	SPHERICAL CLAMP		2	99711133690
8	CONNECTING TUBE LH	X	1	9911115119A
9	CONNECTING TUBE RH	X	1	9911115129A
10	FLANGE		2	99711146390
11	SEALING RING		2	99711156390
12	HEXAGON NUT M8		13	99908464901
13	FLANGE	X	2	9971114618A
14	SEALING RING		2	99711156190
15	AS REAR MUFFLER		1	99711102792
16	TIGHTENING STRAP MUFFLER		2	99711111970
17	PAN-HEAD SCREW AM8X50		2	90006736201
18	EXHAUST TAILPIPE		1	99111125395
19	WASHER		1	99711175591
20	WASHER		2	99711175391
21	HOLDER REAR MUFFLER	X	1	9911114739B

2.6 exhaust system without muffler



Item no.	Description	M	Pc.	Material
1	EXHAUST TAILPIPE OPEN LEFT	X	1	9911112519B
2	EXHAUST TAILPIPE OPEN RIGHT	X	1	9911112529B
3	AS HOLDER TAILPIPES	X	1	9911111819C
4	DAMPING CUSHION	X	4	9971112288A
5	SLEEVE L=21MM DI=8MM	X	4	9971115518D
6	HEXAGON HEAD BOLT BM 8X55 D34801 8.8 26B1		2	90038503601
7	TORX SCREW BM 8X20		2	90038500102
8	CUP-DISC	X	1	9911115739A

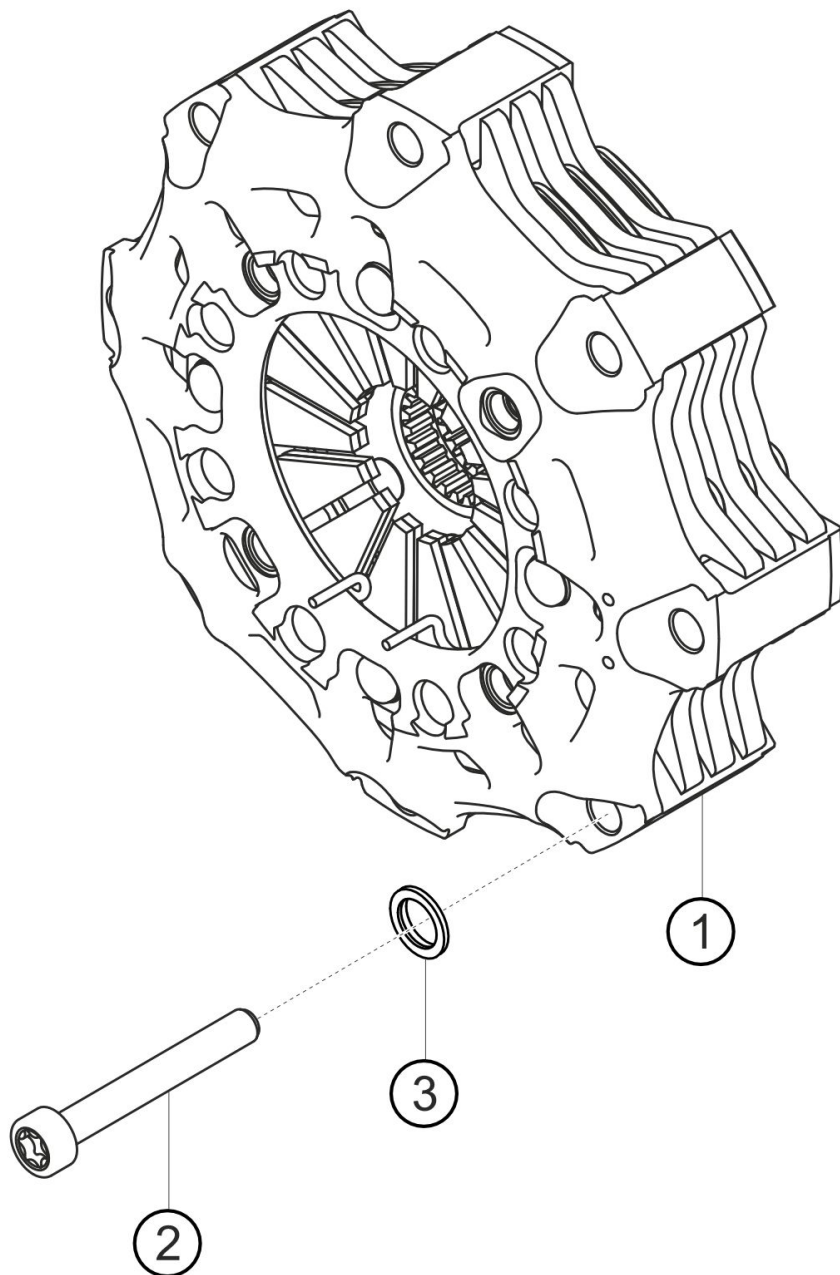
2.7 front muffler



Item no.	Description	M	Pc.	Material
1	Z MUFFLER	X	1	9F0251051
2	Z MUFFLER	X	1	9F0251052
3	SLEEVE L=21MM DI=8MM	X	4	9971115518D
4	DAMPING CUSHION	X	4	9971112288A
5	HOLDER FRONT MUFFLER LEFT	X	1	9911112479C
6	HOLDER FRONT MUFFLER RIGHT	X	1	9911112489C
7	HEXAGON HEAD BOLT BM 8X60 D34801 8.8 26B1		2	90038509101
8	TORX SCREW BM 8X20		4	90038500102
9	CONNECTING TUBE FRONT MUFFLER LEFT	X	1	9911115119B
10	CONNECTING TUBE FRONT MUFFLER RIGHT	X	1	9911115129B
11	AS CLAMP	X	2	9961114519C
12	CLAMP	X	2	9971114548A
13	CONNECTING TUBE REAR MUFFLER LEFT	X	1	9911115139B
14	CONNECTING TUBE REAR MUFFLER RIGHT	X	1	9911115149B
15	AS HEAT SHIELD UPPER,CPL.	X	1	9915059158B
16	AS HEAT SHIELD UPPER,CPL.	X	1	9915059168B
17	BLIND RIVET NUT	X	4	N 91038901
18	M6X12		4	N 91096601
19	SEALING HEAT SHIELD	X	2	9915059178A
20	ADHESIVE PLATE		2	99991174131

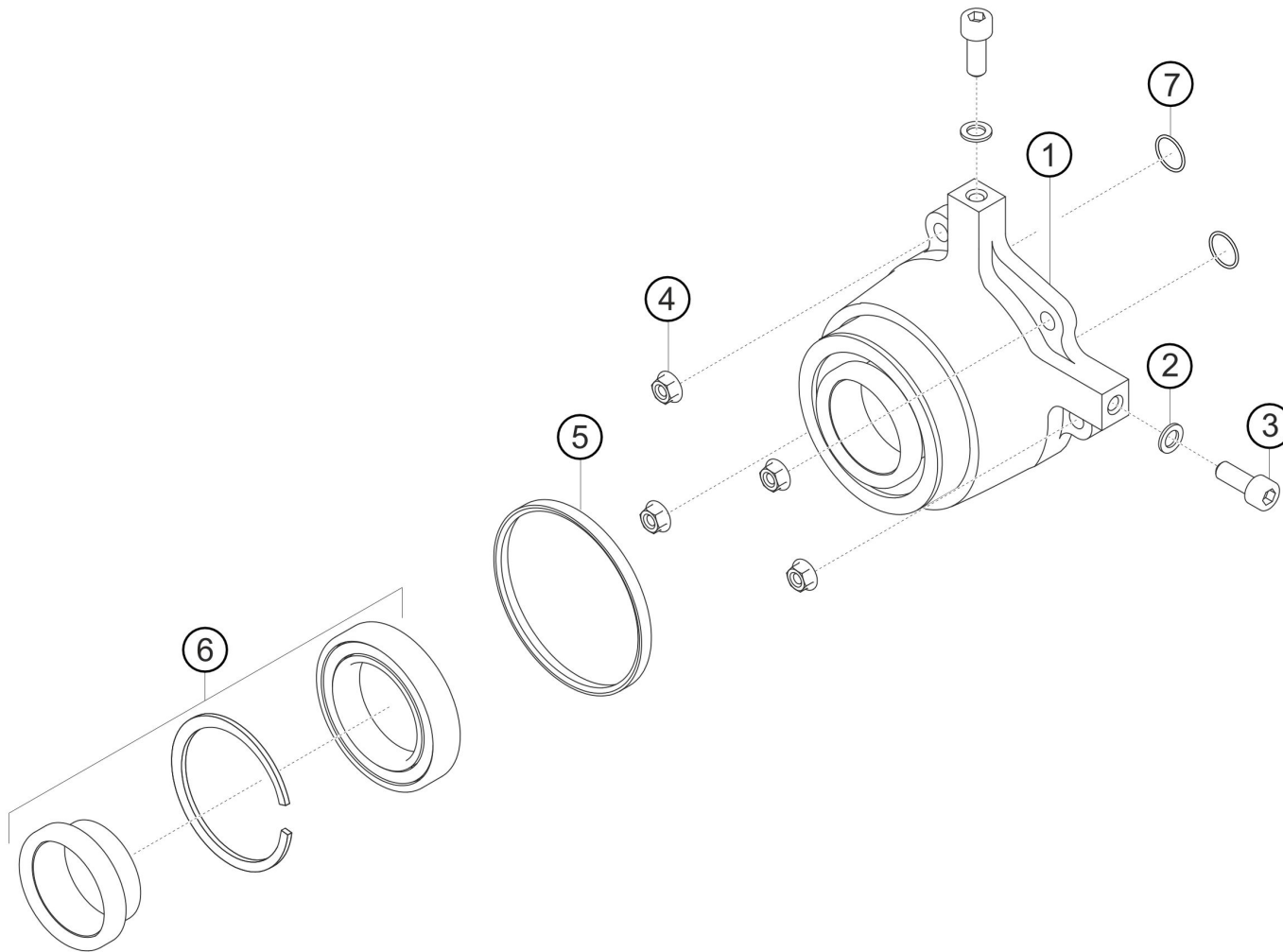
3 gearbox

3.1 clutch



Item no.	Description	M	Pc.	Material
1	AS CLUTCH	X	1	9911160019A
2	PAN-HEAD SCREW M8X45 I 4762 12.9 26B1		8	90006707302
3	SPACE WASHER B 8 *DIN137 FED- ST C390		8	N 0122418

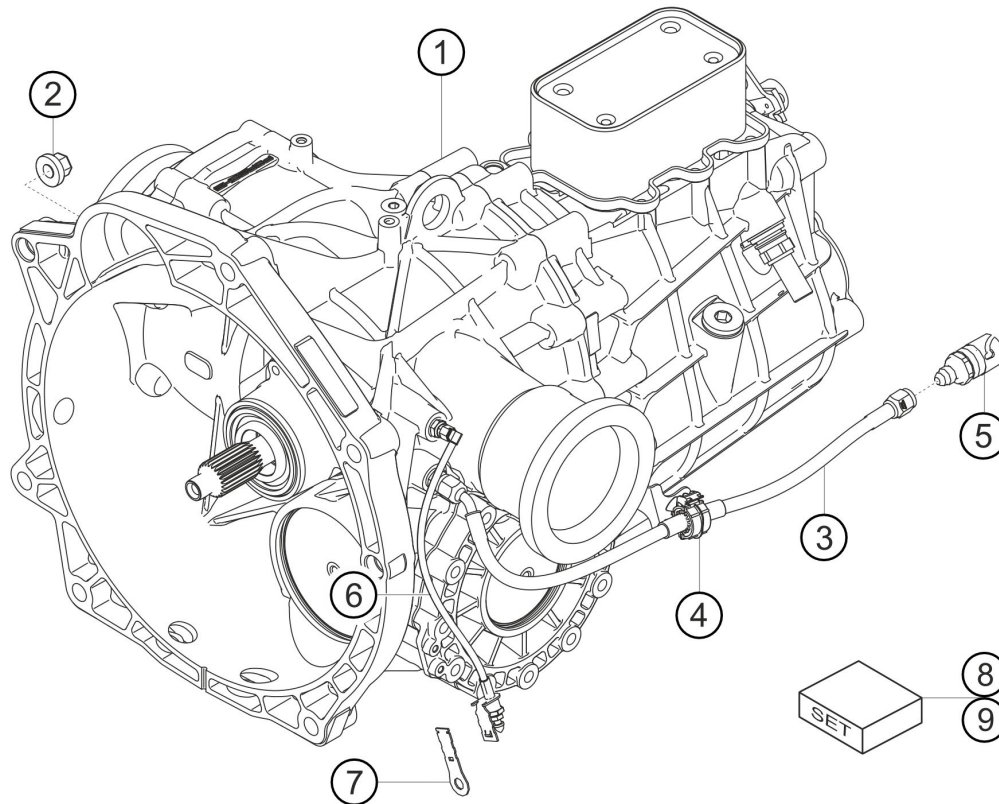
3.2 central clutch operator



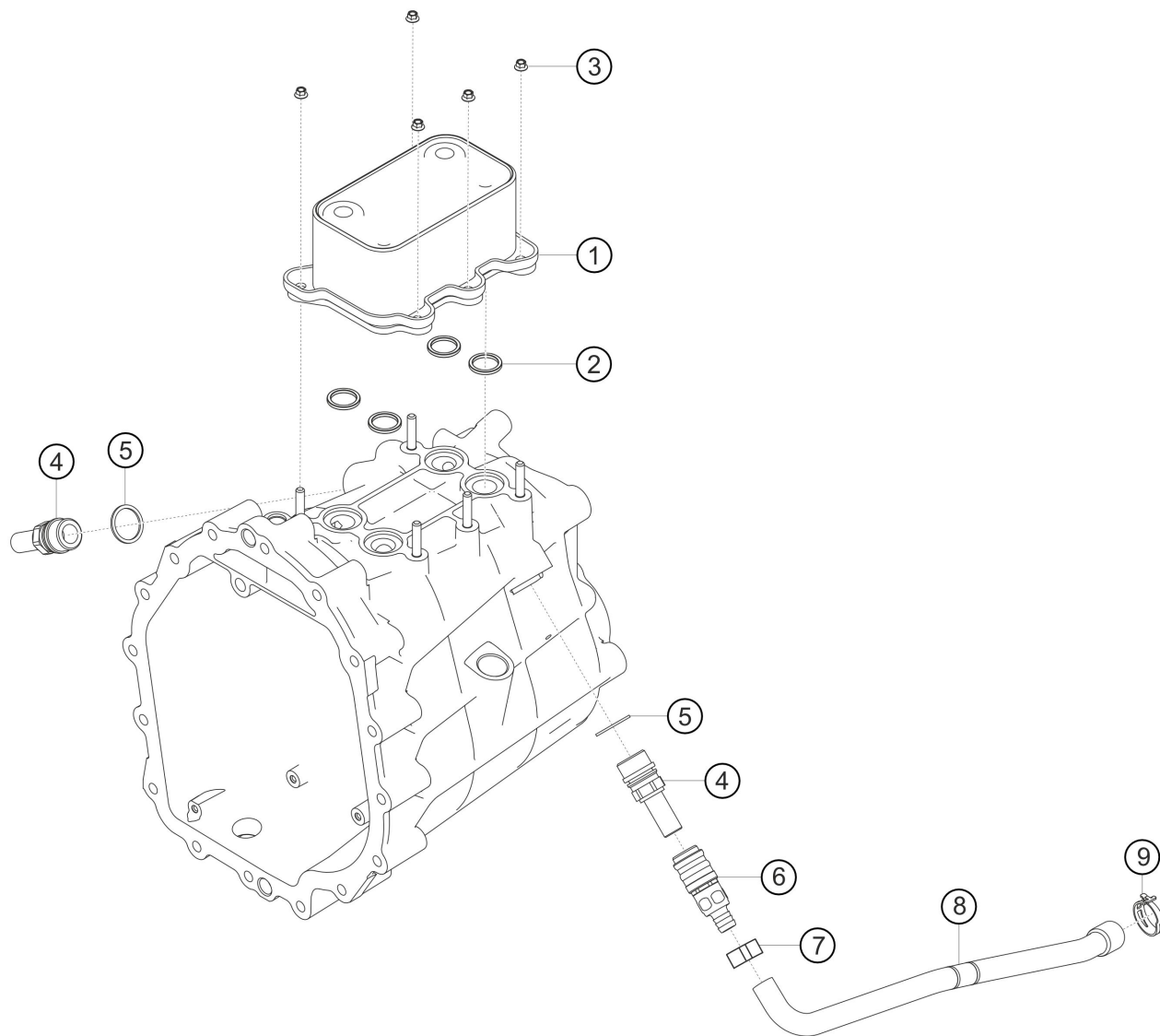
Item no.	Description	M	Pc.	Material
1	AS CLUTCH OPERATOR	X	1	9911160029B
2	SEALING RING A 6X10 D 7603 AL	X	2	90012313530
3	SCREW M6x10 4762 8.8 B110	X	2	90006700601
4	HEX. NUT M6 LN9338 1.7220.3	X	4	90081700102
5	SEALING RING	X	1	9911162059A
6	AS RELEASE BEARING CLUTCH OPERATOR	X	1	9R611602000
7	O-RING 7,65X1,78	X	2	9R611620700

3.3 spare gearbox

Item no.	Description	M	Pc.	Material
1	AS TRANSMISSION CUP	X	1	9913000209S
2	HEX. NUT M12x1,5 LN9338 1.7220.3		4	90081700402
3	AS PRESSURE LINE CLUTCH OPERATOR	X	1	9914234638A
4	BRACKET REFRIGERANT LINE		1	9P1819827
5	COUPLING DASH 4	X	1	99923056430
6	AS VENT LINE SHORT	X	1	9914234618D
7	HOLDER	X	1	9914236618A
8	SET,SEALINGS TRANSMISSION	X	1	9913009139A
9	SET LOCKING RING	X	1	9913009159A

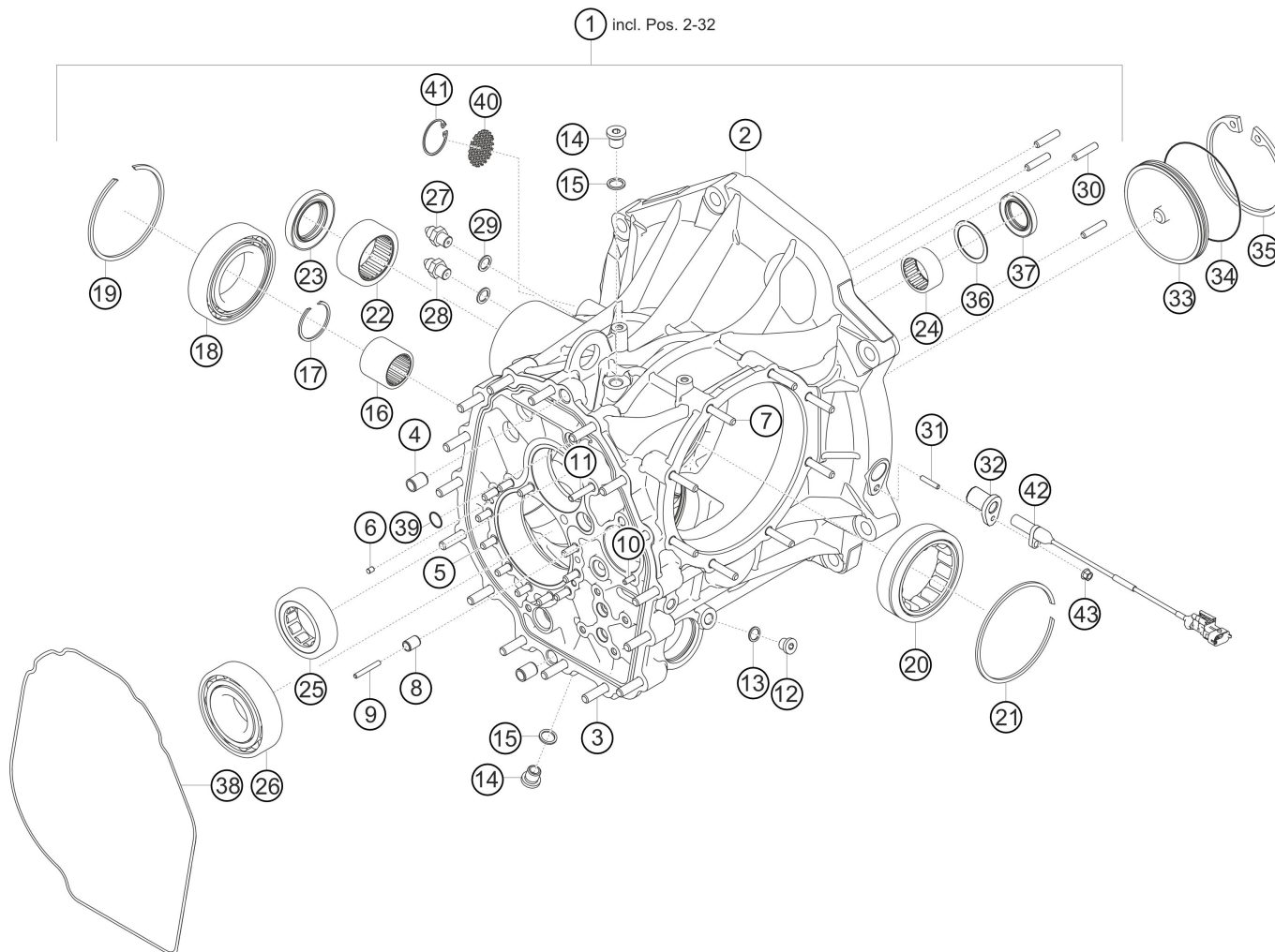


3.4 gearbox cooling system



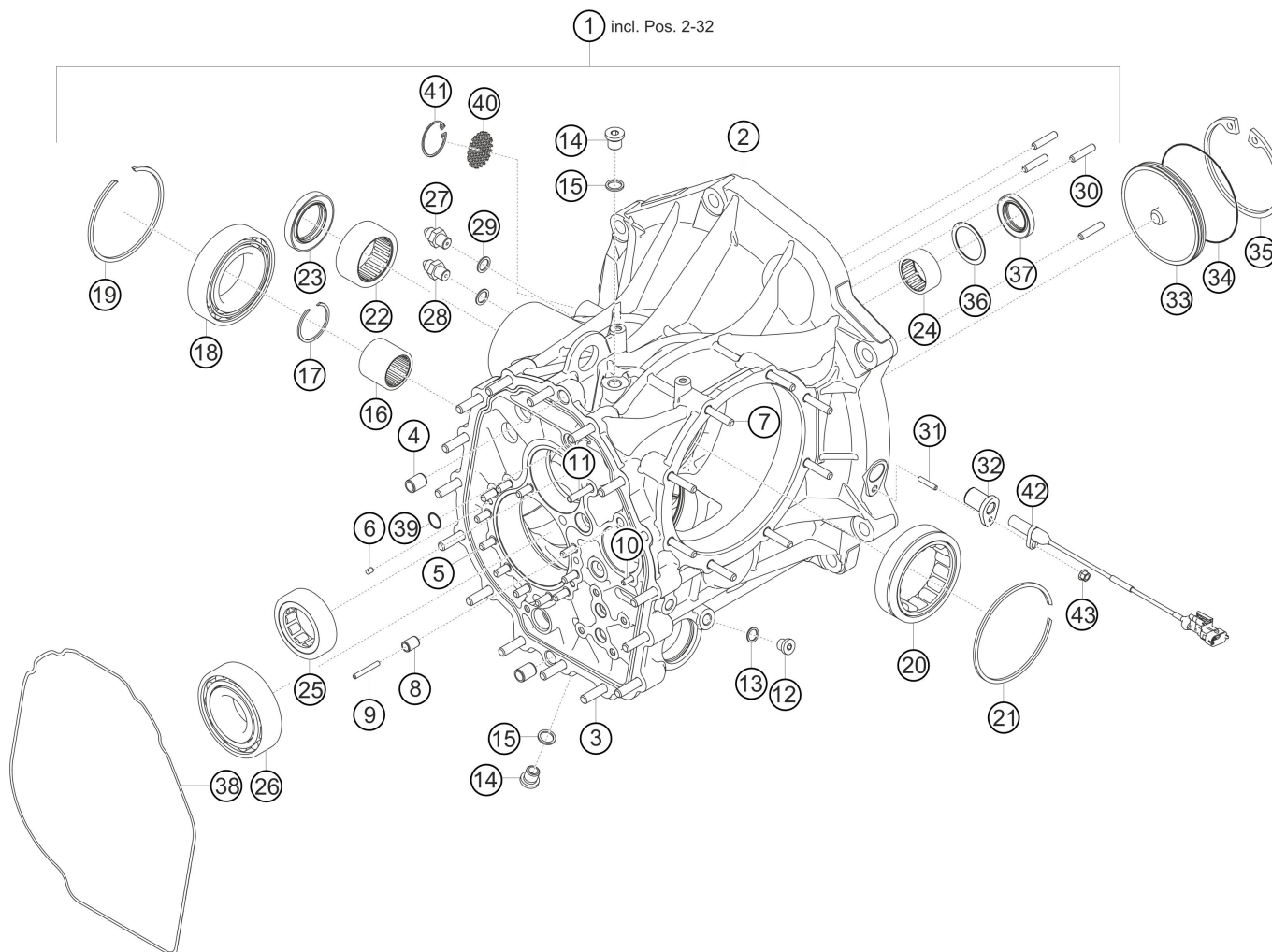
Item no.	Description	M	Pc.	Material
1	AS TRANSM.OIL COOLER	X	1	9913070299B
2	O-RING 20,00X3,55N*D 3771 FPM 70		4	90033102140
3	HEXAGON NUT M 6 EN1664 8 26B1		5	90038001501
4	NECK WATER SUPPLY	X	2	9973074419A
5	ALUM.SEALING RING 22X27 D 7603 AL99,5		2	90012311830
6	QUICK COUPLING RIGHT	X	1	9971068869A
7	CLAMPING CLIP 18,2-21,0 X5CRNI18-10		1	99951245700
8	WATER HOSE TRANSM.OIL COOLER	X	1	9911067639B
9	HOSE CLAMP B25X12		1	99951265609

3.5 gearbox housing



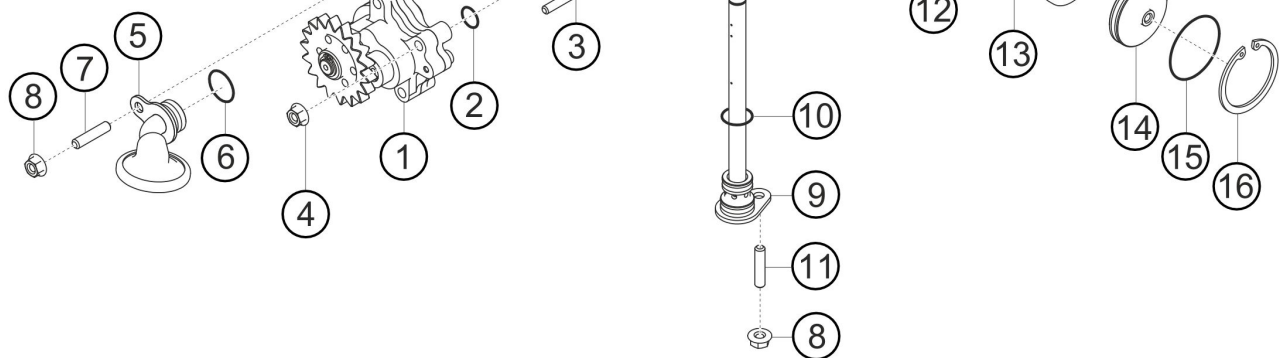
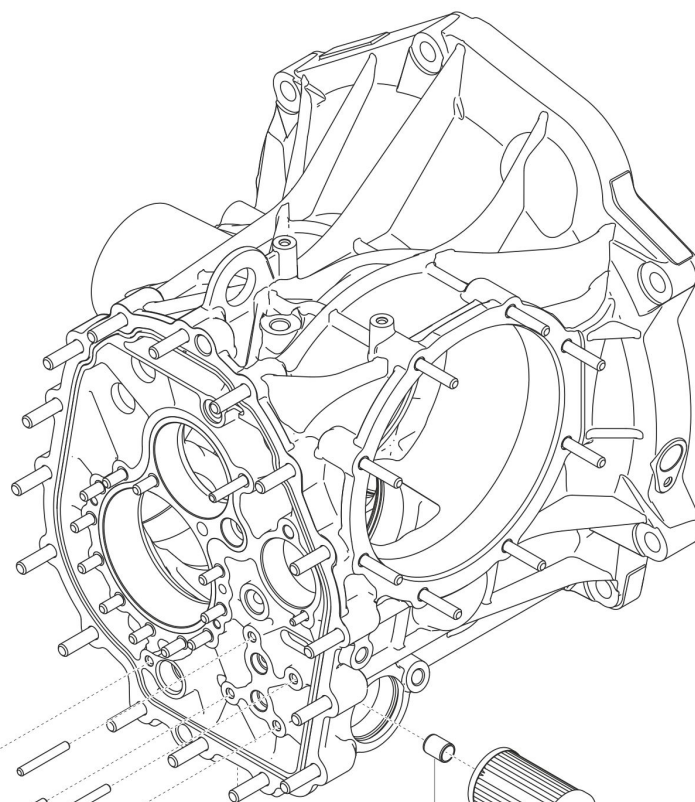
Item no.	Description	M	Pc.	Material
1	AS TRANSMISSION CASE	X	1	9913010119A
2	TRANSMISSION CASE	X	1	9913011019E
3	STUD B M 8X50 PN1213 8.8 B110	X	16	99906201201
4	SLEEVE 12,6X16	X	2	9913016439B
5	SCREW M8x26 10.9	X	11	99906231101
6	LOCATING PIN	X	2	9913016459B
7	STUD B M 8X30 PN1213 8.8 B110	X	8	99906204401
8	SLEEVE L=23,9MM DI=6MM DA=8MM	X	1	9913034989B
9	STUD B M 6X35 PN1213 8.8 B110	X	1	99906209301
10	STUD B M 6X10 *PN1213 8.8 B110	X	3	99906200101
11	STUD B M 8X30 PN1213 8.8 B110	X	1	99906204401
12	SCREW PLUG M10x1 ALMGS11 F38	X	3	90021901630
13	SEALING RING A 10X14 D 7603 CU	X	3	90012300320
14	SCREW PLUG M12x1,5 DIN908 ALMGS11 F38		3	90021900630
15	ALUM.SEALING RING 12X18 D 7603 AL		3	90012310130
16	NEEDLE BEARING	X	1	9913024919A
17	LOCKING RING SB 37X1,5 DIN472 FED-ST B110	X	1	9913027819A
18	CYL.ROLLER BEARING	X	1	9913024929B
19	SNAP RING SB 90X2,50 FED-ST B110	X	1	99915209501
20	CYL.ROLLER BEARING 59,5(50) C90X23	X	1	9913326459A
21	SNAP RING SB 98X2,50 FED-ST B110	X	1	99915213801
22	NEEDLE BEARING 40X55X22	X	1	9913326439A
23	SEAL AS48X68X10 ACM 75806		1	99911334740

3.5 gearbox housing



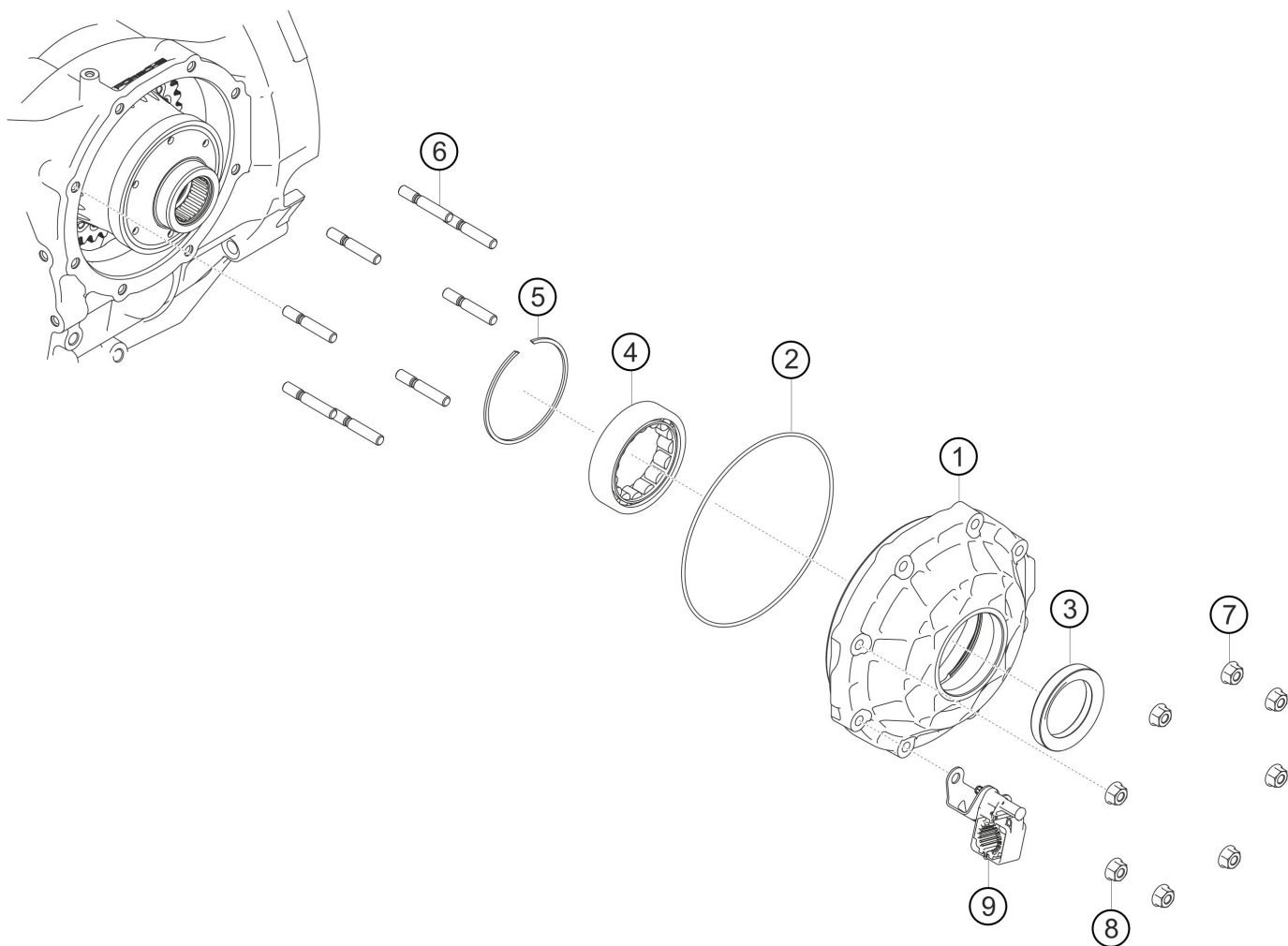
Item no.	Description	M	Pc.	Material
24	NEEDLE BUSH 30X37X16 DIN618 100CR6/ST	X	1	99920121000
25	CYL.ROLLER BEARING	X	1	9913022839C
26	CYL.ROLLER BEARING	X	1	9913022959B
27	ADAPTER 10x1	X	1	99910502602
28	ADAPTER 10x1	X	1	99910502730
29	SEALING RING A 10X14 D 7603 CU	X	2	90012300320
30	STUD B M 6X18 PN1213 8.8 B110	X	4	99906200301
31	SCREW M5x20 8.8	X	1	99906210301
32	ADAPTER TRANSMITTER	X	1	9913016479B
33	CLOSURE LID PINION SHAFT	X	1	9913011819C
34	SEALING RING 90,00X2,5 N* FPM 80	X	1	99970716640
35	SNAP RING 98X3 DIN472 FED-ST B110	X	1	90004206701
36	GUIDE RING	X	1	9913011199B
37	SHAFT SEALING RING AS26X41X6	X	1	9973023519A
38	O-RING 250X2,5 GEARBOX HOUSING	X	1	9913011629A
39	SEALING RING 11,50X2,5 N* FPM 75	X	1	99970131740
40	PERFORATED PANEL	X	1	9911167109B
41	LOCKING RING SB 37X1,5 DIN472 FED-ST B110	X	1	9913027819A
42	SPEED SENSOR CRANKSHAFT	X	1	9916061157A
43	HEX. NUT M5 LN9338 1.7220.3	X	1	90081700502

3.6 gearbox lubrication



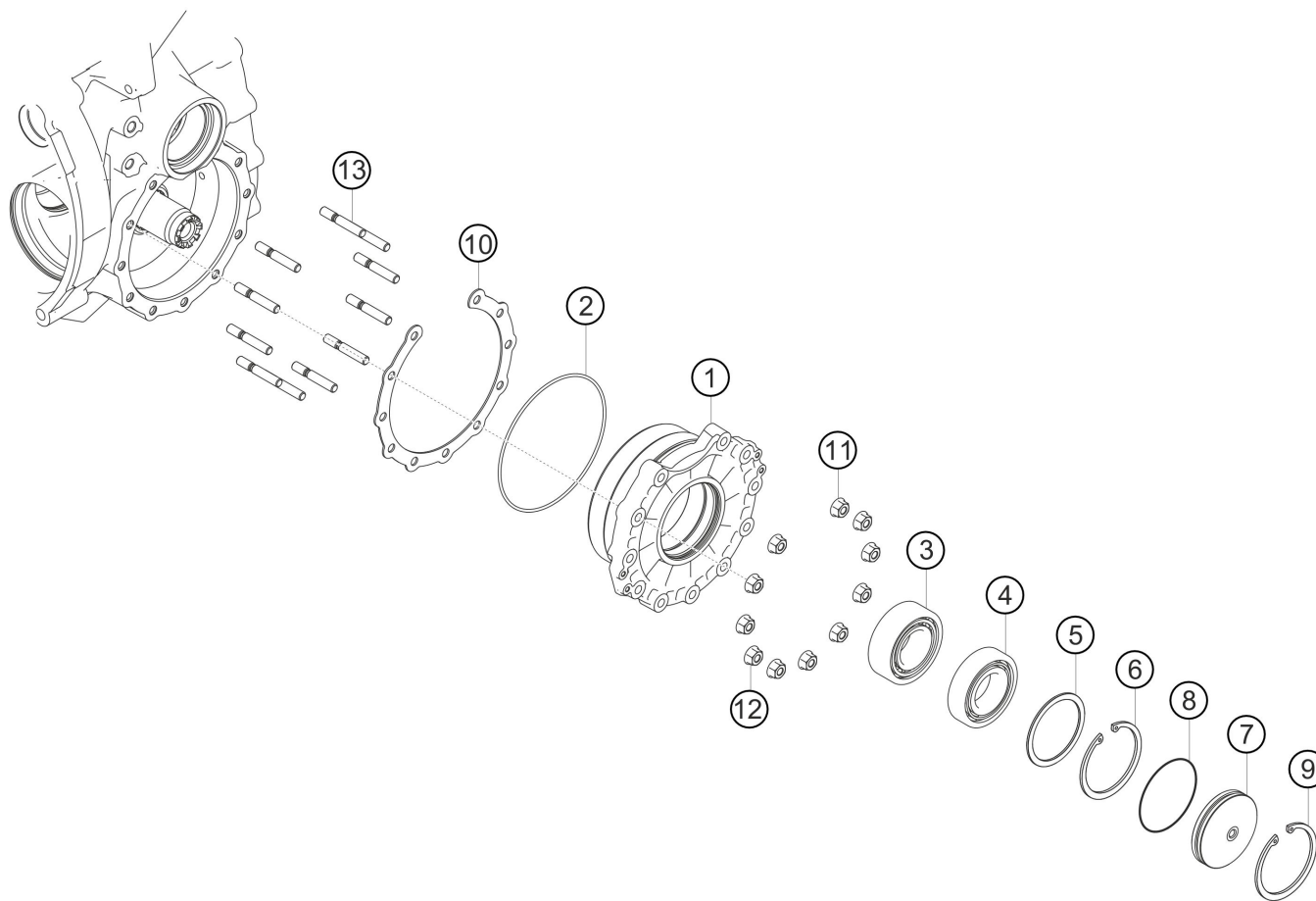
Item no.	Description	M	Pc.	Material
1	AS OIL PUMP CPL.	X	1	9913070039A
2	O-RING 13,00X2,0 N* FPM 83		2	99970714640
3	SCREW M6X28 8.8		4	99906210002
4	HEX. NUT M6 LN9338 1.7220.3	X	4	90081700102
5	SUCTION TUBE OIL PUMP	X	1	9913070519D
6	SEALING RING 15,00X2,5 N* FPM 80	X	1	99970180940
7	STUD B M 6X10 *PN1213 8.8 B110	X	1	99906200101
8	HEX. NUT M6 LN9338 1.7220.3	X	2	90081700102
9	INJECTION TUBE PINION SHAFT	X	1	9913070559C
10	SEALING RING 12,50X2,5 N* FPM 80	X	2	99970149640
11	STUD B M 6X10 *PN1213 8.8 B110	X	1	99906200101
12	SLEEVE L=14,9MM DI=10MM DA=12MM	X	1	9913013079B
13	OIL-FILTER INSERT	X	1	9R630701000
14	CLOSURE CAP OIL FILTER	X	1	9913074219B
15	O-RING 37,00X2,5 N* FPM 80		1	99970701240
16	LOCKING RING	X	1	9913074259A

3.7 differential cover for transmission case



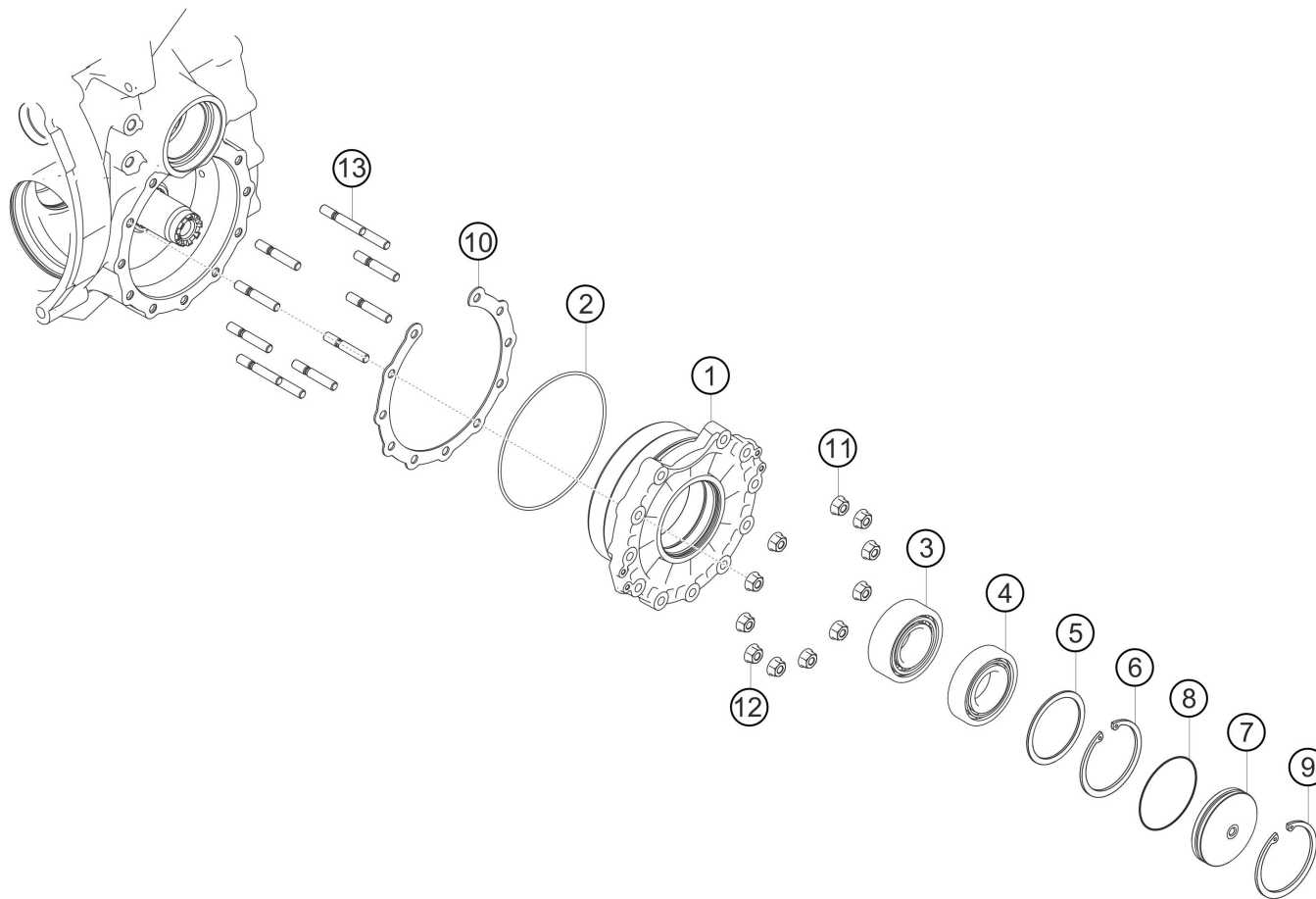
Item no.	Description	M	Pc.	Material
1	CLOSURE LID GEARBOX LEFT DIFFERENTIAL	X	1	9913013019B
2	SEALING RING 155,0X2,50N FPM-70 SW *	X	1	99970158140
3	SEAL AS48X68X10 ACM 75806		1	99911334740
4	CYL.ROLLER BEARING	X	1	9913326419C
5	SNAP RING SB 85X2,00 FED-ST B110	X	1	99915211701
6	STUD B M 8X30 PN1213 8.8 B110	X	8	99906204401
7	HEXAGON NUT M8		7	N 01508315
8	NUT	X	1	9913016779B
9	AS HOLDER COOLANT	X	1	9911068699A

3.8 cover transmission case



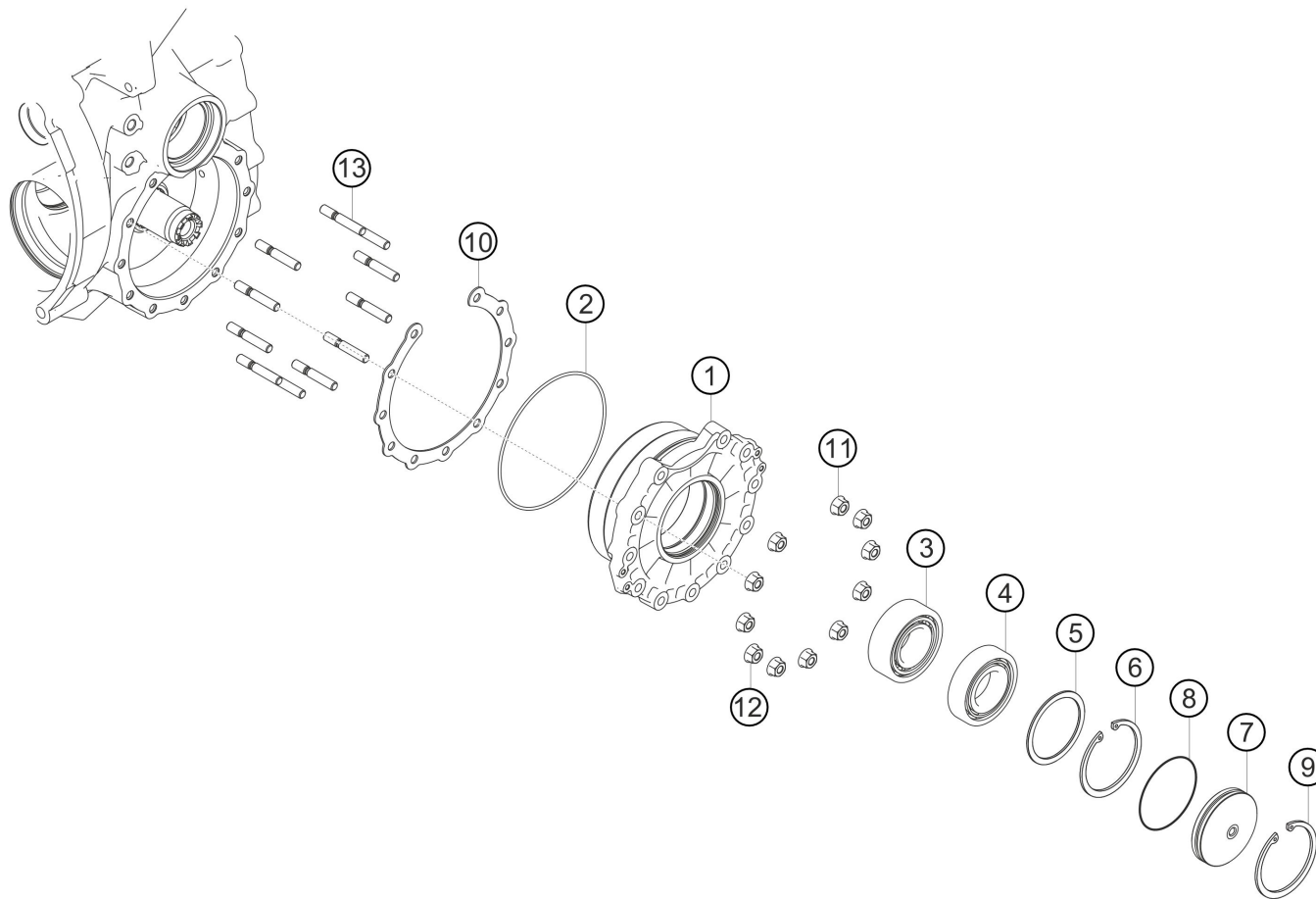
Item no.	Description	M	Pc.	Material
1	CLOSURE LID GEARBOX RIGHT CROSS SHAFT	X	1	9913014019A
2	SEALING RING 130,0X2,50N FPM-70 SW *	X	1	99970158040
3	CYL.ROLLER BEARING	X	1	9913024949A
4	ANGULAR BALL BEARING	X	1	9913024969A
5	ADJUSTING DISK BEARING CROSS SHAFT (1,55MM)	X	1	99130212901
5	ADJUSTING DISK BEARING CROSS SHAFT (1,60MM)	X	1	99130212902
5	ADJUSTING DISK BEARING CROSS SHAFT (1,65MM)	X	1	99130212903
5	ADJUSTING DISK BEARING CROSS SHAFT (1,70MM)	X	1	99130212904
5	ADJUSTING DISK BEARING CROSS SHAFT (1,75MM)	X	1	99130212905
5	ADJUSTING DISK BEARING CROSS SHAFT (1,80MM)	X	1	99130212906
5	ADJUSTING DISK BEARING CROSS SHAFT (1,85MM)	X	1	99130212907
5	ADJUSTING DISK BEARING CROSS SHAFT (1,90MM)	X	1	99130212908
5	ADJUSTING DISK BEARING CROSS SHAFT (1,95MM)	X	1	99130212909
5	ADJUSTING DISK BEARING CROSS SHAFT (2,00MM)	X	1	99130212910
5	ADJUSTING DISK BEARING CROSS SHAFT (2,05MM)	X	1	99130212911
5	ADJUSTING DISK BEARING CROSS SHAFT (2,10MM)	X	1	99130212912
5	ADJUSTING DISK BEARING CROSS SHAFT (2,15MM)	X	1	99130212913
5	ADJUSTING DISK BEARING CROSS SHAFT (2,20MM)	X	1	99130212914
5	ADJUSTING DISK BEARING CROSS SHAFT (2,25MM)	X	1	99130212915
5	ADJUSTING DISK BEARING CROSS SHAFT (2,30MM)	X	1	99130212916
5	ADJUSTING DISK BEARING CROSS SHAFT (2,35MM)	X	1	99130212917
5	ADJUSTING DISK BEARING CROSS SHAFT (2,40MM)	X	1	99130212918
5	ADJUSTING DISK BEARING CROSS SHAFT (2,45MM)	X	1	99130212919

3.8 cover transmission case



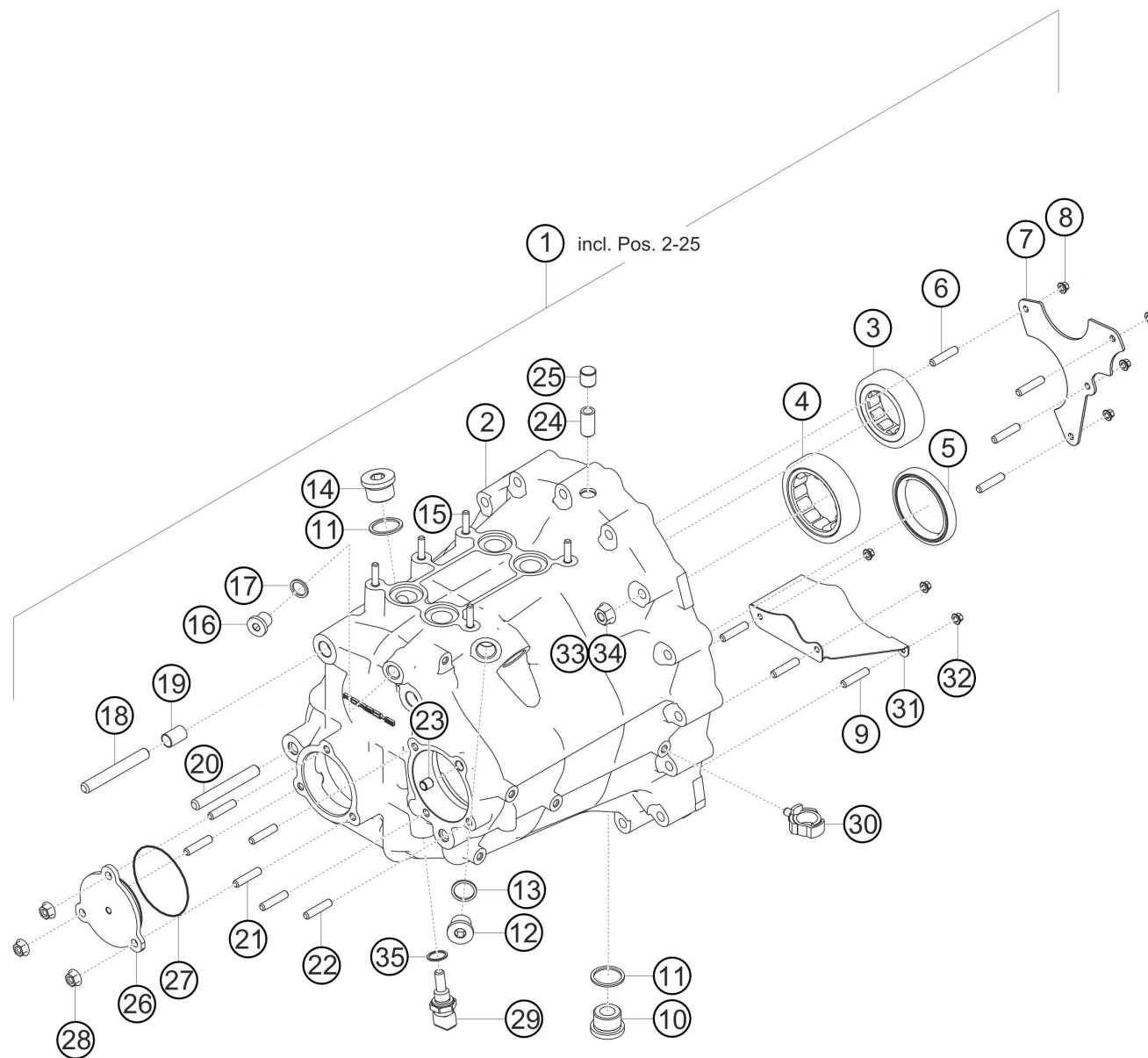
Item no.	Description	M	Pc.	Material
5	ADJUSTING DISK BEARING CROSS SHAFT (2,50MM)	X	1	99130212920
5	ADJUSTING DISK BEARING CROSS SHAFT (2,075MM)	X	1	99130212921
5	ADJUSTING DISK BEARING CROSS SHAFT (2,125MM)	X	1	99130212922
5	ADJUSTING DISK BEARING CROSS SHAFT (2,175MM)	X	1	99130212923
5	ADJUSTING DISK BEARING CROSS SHAFT (2,225MM)	X	1	99130212924
5	ADJUSTING DISK BEARING CROSS SHAFT (2,275MM)	X	1	99130212925
5	ADJUSTING DISK BEARING CROSS SHAFT (2,325MM)	X	1	99130212926
5	ADJUSTING DISK BEARING CROSS SHAFT (2,375MM)	X	1	99130212927
5	ADJUSTING DISK BEARING CROSS SHAFT (1,50MM)	X	1	99130212900
6	LOCK RING 72X2,5 DIN472 FED-ST B110	X	1	90004204901
7	CLOSURE LID BEARING CROSS SHAFT	X	1	9913013039B
8	SEALING RING 67,00X2,5 N* FPM 70	X	1	99970715140
9	LOCKING RING DIN472-75X2,5-FED-ST	X	1	9913013059A
10	ADJUSTING DISK CROSS SHAFT (1,00MM)	X	1	99130212800
10	ADJUSTING DISK CROSS SHAFT (1,05MM)	X	1	99130212801
10	ADJUSTING DISK CROSS SHAFT (1,10MM)	X	1	99130212802
10	ADJUSTING DISK CROSS SHAFT (1,15MM)	X	1	99130212803
10	ADJUSTING DISK CROSS SHAFT (1,20MM)	X	1	99130212804
10	ADJUSTING DISK CROSS SHAFT (1,25MM)	X	1	99130212805
10	ADJUSTING DISK CROSS SHAFT (1,30MM)	X	1	99130212806
10	ADJUSTING DISK CROSS SHAFT (1,35MM)	X	1	99130212807
10	ADJUSTING DISK CROSS SHAFT (1,40MM)	X	1	99130212808
10	ADJUSTING DISK CROSS SHAFT (1,45MM)	X	1	99130212809

3.8 cover transmission case



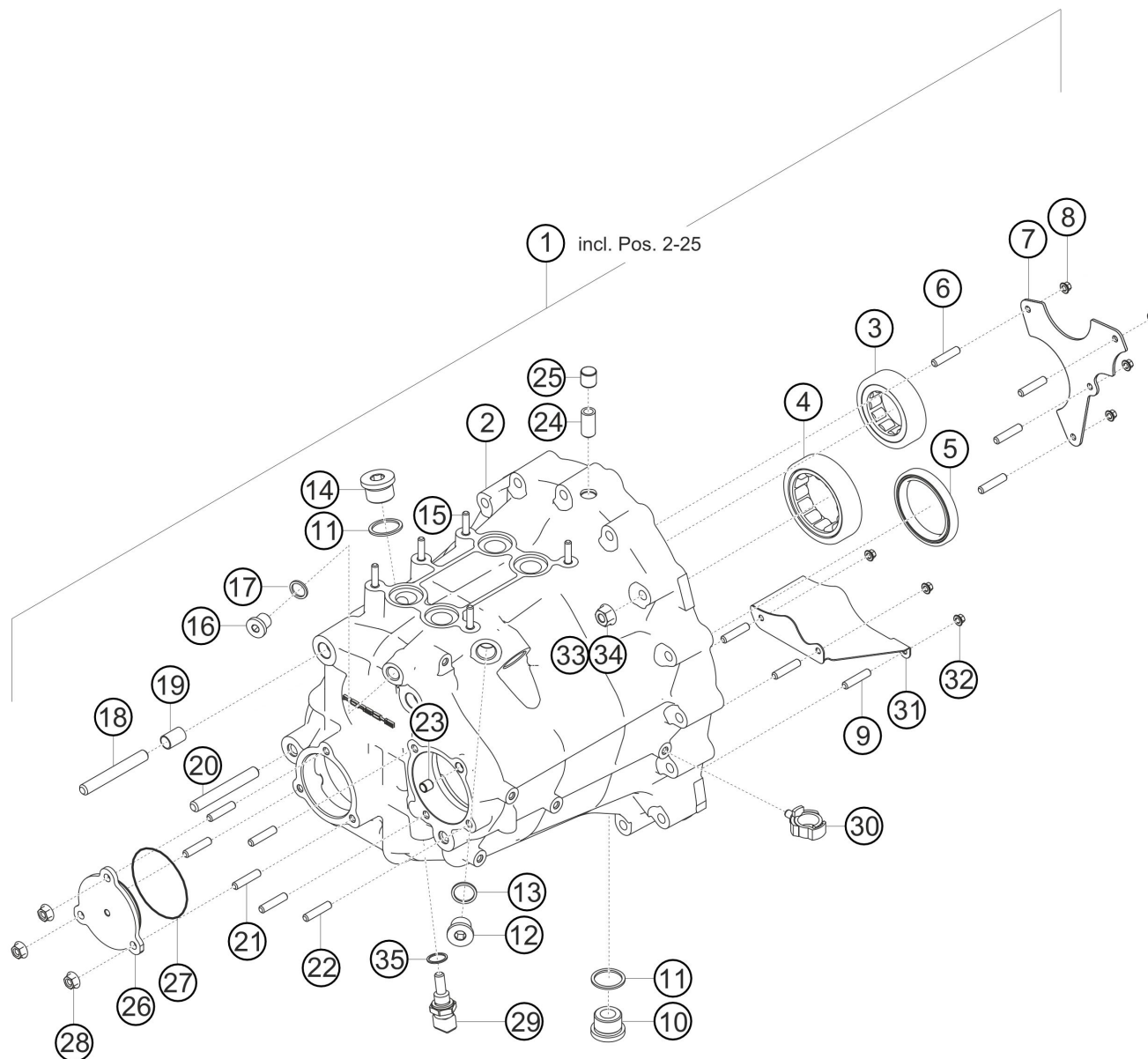
Item no.	Description	M	Pc.	Material
10	ADJUSTING DISK CROSS SHAFT (1,50MM)	X	1	99130212810
10	ADJUSTING DISK CROSS SHAFT (1,55MM)	X	1	99130212811
10	ADJUSTING DISK CROSS SHAFT (1,60MM)	X	1	99130212812
10	ADJUSTING DISK CROSS SHAFT (1,65MM)	X	1	99130212813
10	ADJUSTING DISK CROSS SHAFT (1,70MM)	X	1	99130212814
10	ADJUSTING DISK CROSS SHAFT (1,75MM)	X	1	99130212815
10	ADJUSTING DISK CROSS SHAFT (1,80MM)	X	1	99130212816
10	ADJUSTING DISK CROSS SHAFT (1,85MM)	X	1	99130212817
10	ADJUSTING DISK CROSS SHAFT (1,90MM)	X	1	99130212818
10	ADJUSTING DISK CROSS SHAFT (1,95MM)	X	1	99130212819
10	ADJUSTING DISK CROSS SHAFT (2,00MM)	X	1	99130212820
10	ADJUSTING DISK CROSS SHAFT (2,05MM)	X	1	99130212821
10	ADJUSTING DISK CROSS SHAFT (2,10MM)	X	1	99130212822
10	ADJUSTING DISK CROSS SHAFT (2,15MM)	X	1	99130212823
10	ADJUSTING DISK CROSS SHAFT (2,20MM)	X	1	99130212824
10	ADJUSTING DISK CROSS SHAFT (2,25MM)	X	1	99130212825
11	HEXAGON NUT M8		10	N 01508315
12	NUT	X	1	9913016779B
13	STUD B M 8X30 PN1213 8.8 B110	X	11	99906204401

3.9 gearhousing



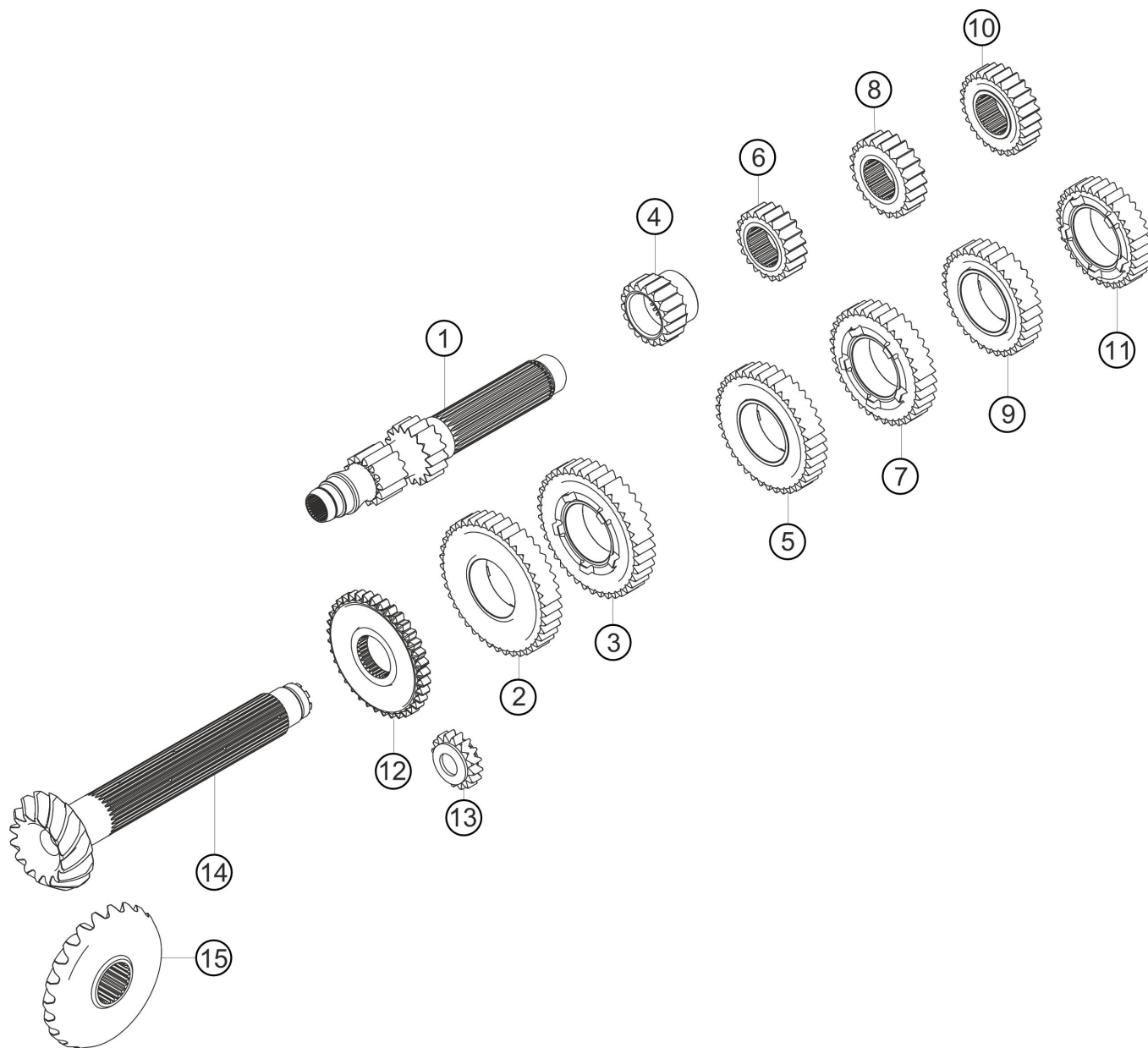
Item no.	Description	M	Pc.	Material
1	AS GEAR HOUSING	X	1	9913010219A
2	GEAR HOUSING	X	1	9913012019C
3	CYL.ROLLER BEARING	X	1	9913022839C
4	CYL.ROLLER BEARING FRONT	X	1	9913022919B
5	GROOVED BALL BEARING	X	1	9913034259A
6	STUD B M 5X10 *PN1213 8.8 B110	X	4	99906213601
7	RETAINING PANEL BEARING GEARHOUSING	X	1	9913013519D
8	HEX. NUT M5 LN9338 1.7220.3	X	4	90081700502
9	SETSCREW M 5X20 12.9 U120	X	3	99906900509
10	SCREW PLUG	X	1	9913013099A
11	ALUM.SEALING RING 22X27 D 7603 AL99,5		1	90012311830
12	SCREW PLUG M16x1,5 DIN908 AL3		1	90021900430
13	SEALING RING A 16x20 D 7603 ALMGS11 F28		1	90012301830
14	SCREW PLUG M22x1,5 DIN908 AL3		1	90021900130
15	SCREW M6x15 8.8	X	5	99906200201
16	SCREW PLUG M12x1,5 DIN908 ALMGS11 F38		3	90021900630
17	ALUM.SEALING RING 12X18 D 7603 AL		3	90012310130
18	STUD B M10FOX52DIN835 10.9 B110 *	X	2	90006010701
19	SLEEVE 13,6X13,5	X	2	9913016419B
20	STUD M10X45 PN1213 10.9 B110	X	2	99906229201
21	STUD B M 6X10 *PN1213 8.8 B110	X	3	99906200101
22	STUD B M 6X18 PN1213 8.8 B110	X	3	99906200301
23	SLEEVE L=7,9MM DI=6MM DA=8MM	X	1	9913013579B

3.9 gearhousing



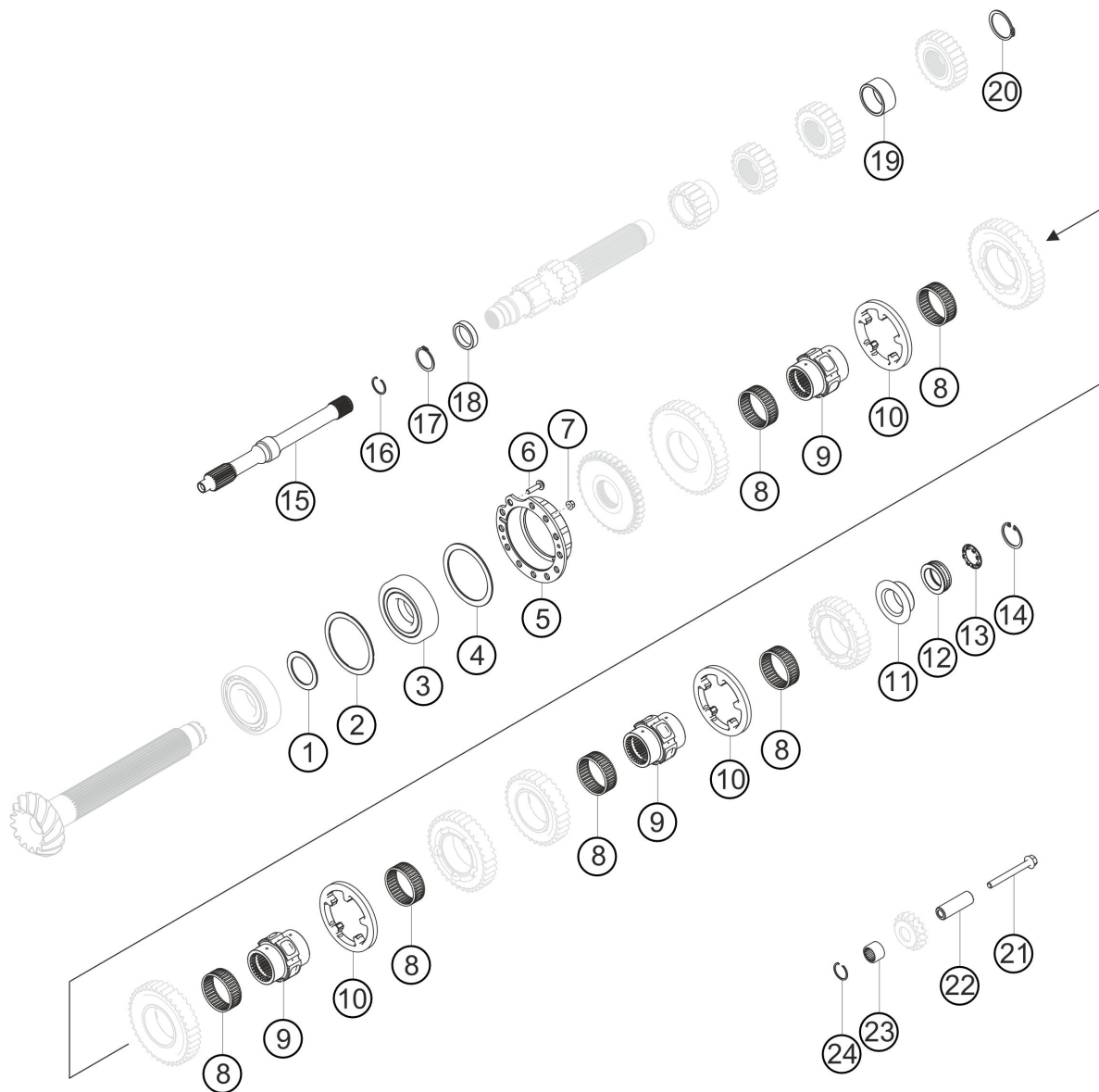
Item no.	Description	M	Pc.	Material
24	SLEEVE L=30MM DI=8MM DA=12MM	X	1	02A301473
25	CAP TRANSMISSION BREATHER		1	99630171000
26	CLOSURE LID SHIFT DRUM	X	1	9913012119D
27	SEALING RING 47,00X2,5 N* ACM 70	X	1	99970704440
28	HEX. NUT M6 LN9338 1.7220.3	X	3	90081700102
29	TEMPERATURE SENSOR TRANSMISSION	X	1	9916062248A
30	CABLE HOLDER		3	8E0201449R
31	BAFFLE	X	1	9913070619C
32	HEX. NUT M5 LN9338 1.7220.3	X	3	90081700502
33	HEXAGON NUT M8		14	N 01508315
34	NUT	X	2	9913016779B
35	COPPER SEALING RING		1	90012300625

3.10 set of gears



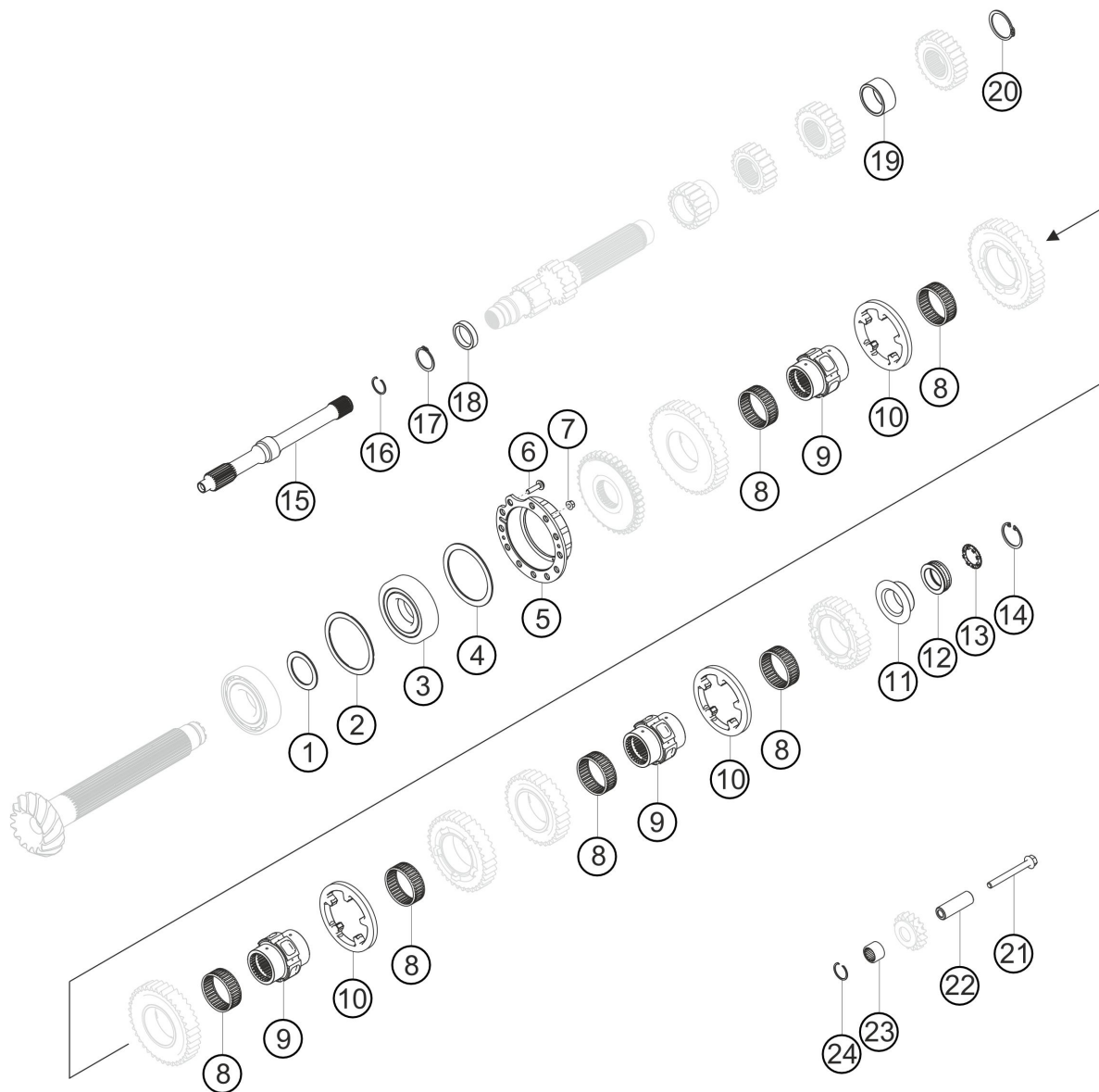
Item no.	Description	M	Pc.	Material
1	DRIVE SHAFT 2ND GEAR/17:40	X	1	9913021019H
2	IDLER GEAR 1ST GEAR/13:41	X	1	9913025016B
3	IDLER GEAR 2ND GEAR/17:40	X	1	9913025026D
4	FIXED GEAR 3RD GEAR/19:36	X	1	9913025139E
5	IDLER GEAR 3RD GEAR/19:36	X	1	9913025036E
6	FIXED GEAR 4TH GEAR/19:29	X	1	9913025149K
7	IDLER GEAR 4TH GEAR/19:29	X	1	9913025046K
8	FIXED GEAR 5TH GEAR/24:30	X	1	9913025159F
9	IDLER GEAR 5TH GEAR/24:30	X	1	9913025056F
10	FIXED GEAR 6TH GEAR/34:35	X	1	9913025169H
11	IDLER GEAR 6TH GEAR/34:35	X	1	9913025066H
12	SPUR GEAR REVERSE GEAR	X	1	9913022259C
13	REVERSE GEAR	X	1	9913022239C
14	AS PINION SHAFT	X	1	9913020119H
15	RING GEAR	X	1	9913021139B

3.11 bearings and sleeves



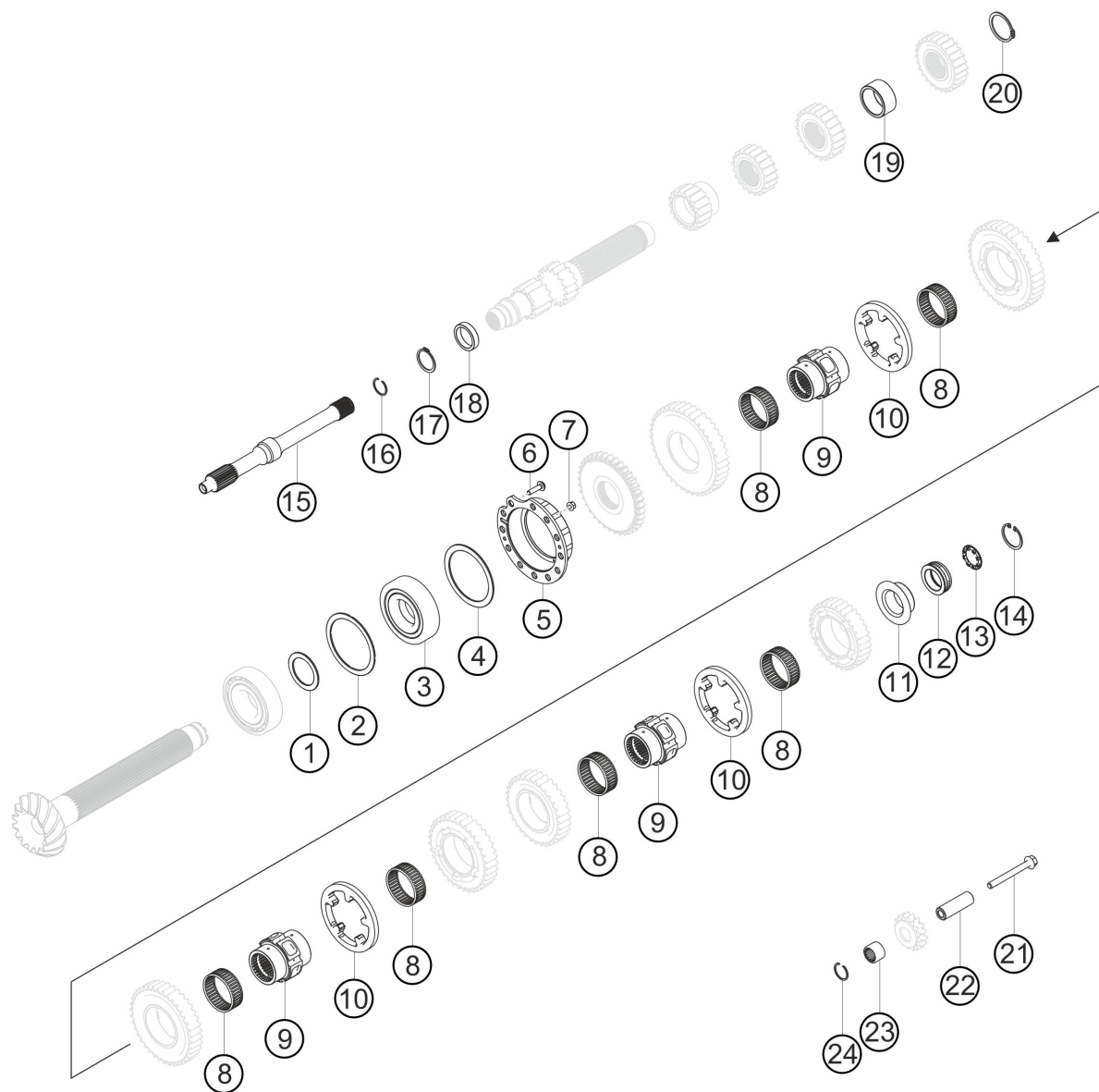
Item no.	Description	M	Pc.	Material
1	ADJUSTING DISK 2,60 MM	X	1	99130212437
1	ADJUSTING DISK 2,57 MM	X	1	99130212436
1	ADJUSTING DISK 2,54 MM	X	1	99130212435
1	ADJUSTING DISK 2,51 MM	X	1	99130212434
1	ADJUSTING DISK 2,48 MM	X	1	99130212433
1	ADJUSTING DISK 2,45 MM	X	1	99130212432
1	ADJUSTING DISK 2,42 MM	X	1	99130212431
1	ADJUSTING DISK 2,39 MM	X	1	99130212430
1	ADJUSTING DISK 2,36 MM	X	1	99130212429
1	ADJUSTING DISK 2,33 MM	X	1	99130212428
1	ADJUSTING DISK 2,30 MM	X	1	99130212427
1	ADJUSTING DISK 2,27 MM	X	1	99130212426
1	ADJUSTING DISK 2,24 MM	X	1	99130212425
1	ADJUSTING DISK 2,21 MM	X	1	99130212424
1	ADJUSTING DISK 2,18 MM	X	1	99130212423
1	ADJUSTING DISK 2,15 MM	X	1	99130212422
1	ADJUSTING DISK 2,12 MM	X	1	99130212421
1	ADJUSTING DISK 2,09 MM	X	1	99130212420
1	ADJUSTING DISK 2,06 MM	X	1	99130212419
1	ADJUSTING DISK 2,03 MM	X	1	99130212418
1	ADJUSTING DISK 2,00 MM	X	1	99130212417
1	ADJUSTING DISK 1,52 MM	X	1	99130212401
1	ADJUSTING DISK 1,55 MM	X	1	99130212402

3.11 bearings and sleeves



Item no.	Description	M	Pc.	Material
1	ADJUSTING DISK 1,58 MM	X	1	99130212403
1	ADJUSTING DISK 1,61 MM	X	1	99130212404
1	ADJUSTING DISK 1,64 MM	X	1	99130212405
1	ADJUSTING DISK 1,67 MM	X	1	99130212406
1	ADJUSTING DISK 1,7 MM	X	1	99130212407
1	ADJUSTING DISK 1,73 MM	X	1	99130212408
1	ADJUSTING DISK 1,76 MM	X	1	99130212409
1	ADJUSTING DISK 1,79 MM	X	1	99130212410
1	ADJUSTING DISK 1,82 MM	X	1	99130212411
1	ADJUSTING DISK 1,85 MM	X	1	99130212412
1	ADJUSTING DISK 1,88 MM	X	1	99130212413
1	ADJUSTING DISK 1,91 MM	X	1	99130212414
1	ADJUSTING DISK 1,94 MM	X	1	99130212415
1	ADJUSTING DISK 1,97 MM	X	1	99130212416
2	SPACING WASHER 2MM	X	1	9913022539A
3	ANGULAR BALL BEARING	X	1	9913022969A
4	ADJUSTING DISK 2,21 MM	X	1	9913022529Q
4	ADJUSTING DISK THICKNESS 2,18	X	1	9913022529P
4	ADJUSTING DISK THICKNESS 2,15	X	1	9913022529N
4	ADJUSTING DISK THICKNESS 2,12	X	1	9913022529L
4	ADJUSTING DISK THICKNESS 2,09	X	1	9913022529K
4	ADJUSTING DISK 2,06 MM	X	1	9913022529I
4	ADJUSTING DISK 2,03 mm	X	1	9913022529H

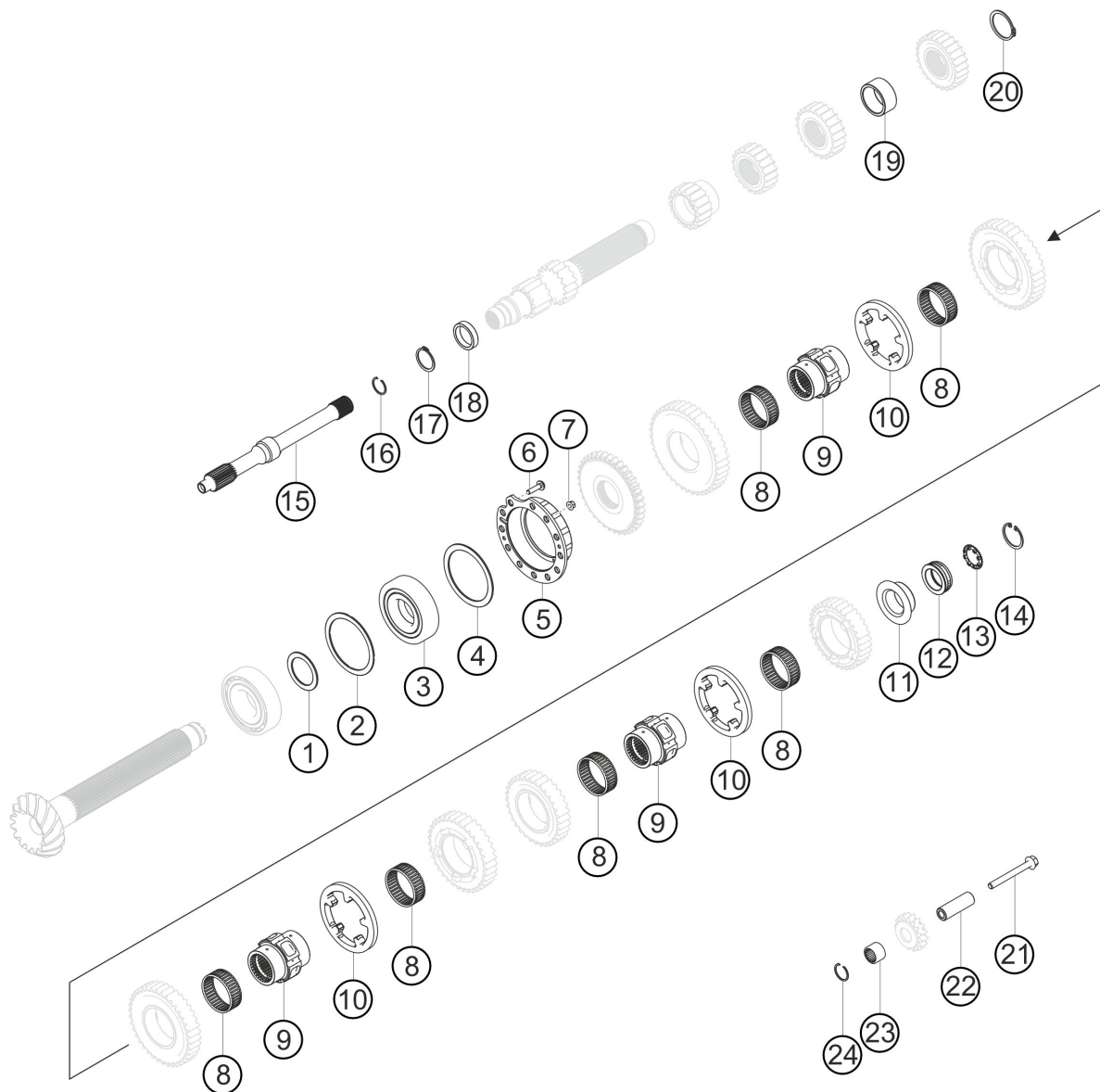
3.11 bearings and sleeves



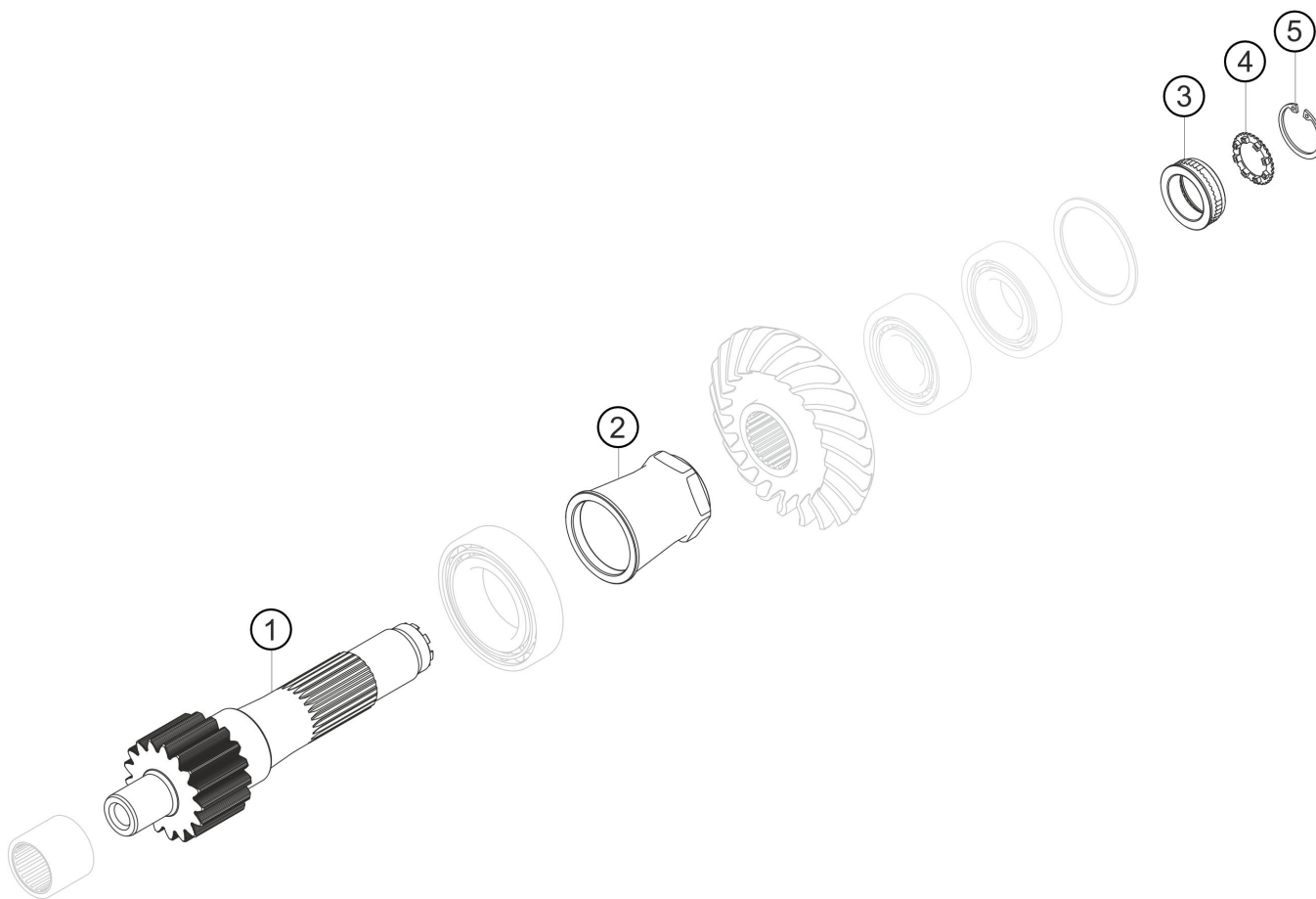
Item no.	Description	M	Pc.	Material
4	ADJUSTING DISK THICKNESS 2,00	X	1	9913022529F
4	ADJUSTING DISK THICKNESS 1,97	X	1	9913022529E
4	ADJUSTING DISK THICKNESS 1,94	X	1	9913022529D
4	ADJUSTING DISK THICKNESS 1,91	X	1	9913022529C
4	ADJUSTING DISK THICKNESS 1,88	X	1	9913022529B
4	ADJUSTING DISK THICKNESS 1,85	X	1	9913022529A
5	RETAINING FRAME PINION SHAFT	X	1	9913022519B
6	PAN-HEAD SCREW M8X30 10.9 TX40 B140	X	1	9913022859B
7	HEX. NUT M8 LN9338 1.7220.3		11	90081700202
8	NEEDLE CAGE	X	6	9913022979A
9	GUIDING SLEEVE	X	3	9913042219C
10	SELECTOR SLEEVE	X	3	9913046319B
11	INNER RING PINION SHAFT	X	1	9913022989A
12	NUT M32X1,25	X	1	9913027919A
13	LOCKING RING	X	1	9913027939A
14	SNAP RING 36X1,5 FED-ST B110	X	1	99904231301
15	CONNECTING SHAFT	X	1	9913021319C
16	SNAP RING B 22 D 7993 1.4310	X	1	90090603900
17	OUTER RING 30X1,5 DIN471 FED-ST B110	X	1	90004101501
18	STOP DISK	X	1	9913023819C
19	SPACER SLEEVE 21,5MM	X	1	9913022689B
20	LOCKING RING	X	1	9913021919A
21	HEXAGON SCREW AM 8X75 EN1665 12.9 U120	X	1	90037821201

3.11 bearings and sleeves

Item no.	Description	M	Pc.	Material
22	BEARING SPINDLE REVERSE GEAR	X	1	9913022219A
23	NEEDLE BUSH 18X24X16 DIN618 100CR6/ST	X	1	99920104300
24	SNAP RING SB 24X1,20 FED-ST B110	X	1	99915205801



3.12 cross shaft



Item no.	Description	M	Pc.	Material
1	9913024419D	X	1	9913024419D
2	SLEEVE	X	1	9913024329A
3	NUT M32X1,25	X	1	9913027919A
4	LOCKING RING	X	1	9913027939A
5	SNAP RING 36X1,5 FED-ST B110	X	1	99904231301

3.13 shift module



Item no.	Description	M	Pc.	Material
1	SHIFTING ELEMENT	X	1	9913033719D
2	GROOVED BALL BEARING 40X52X7 DIN625 100CR6/ST	X	1	90005220400
3	BEARING SLEEVE	X	1	9913033899B
4	GROOVED BALL BEARING	X	1	9913034279A
5	LOCKING RING SB 23X1,2 FED-ST B110	X	1	9913027839A
6	LOCK RING 12x1 DIN471 FED-ST B110		1	90004100501
7	WASHER H=2MM DA=40MM	X	1	9913033939B
8	PAN-HEAD SCREW M5X10	X	3	90006705109
9	DRIVER	X	1	9913033999C
10	SEALING RING 5,28X1,78N FPM 70	X	1	99970713140
11	COUPLING PART	X	1	9913033779B
12	COMPRESSION SPRING	X	2	9913033789A
13	DRIVING PIN	X	2	9913033879B
14	STOP GUIDE PLATE	X	1	9913033979E
15	STOP DISK	X	1	9913033969A
16	HEXALOBULAR SCREW 5X16 DIN 34800-8:8 B110	X	3	9913033949A
17	WASHER S=5MM D1=15MM D2=20MM	X	2	9913033839A
18	CONTROL LEVER	X	1	9913033859A
19	HOUSING SHIFT MODULE	X	1	9913033739C
20	PIN	X	2	9913033479B
21	SEALING RING 58,00X2,0 N* FPM 70	X	1	99970186340
22	NEEDLE BUSH 13X19X12 100CR6/ ST*	X	1	99920100300
23	STUD B M 6X55 PN1213 8.8 B110	X	1	99906212101

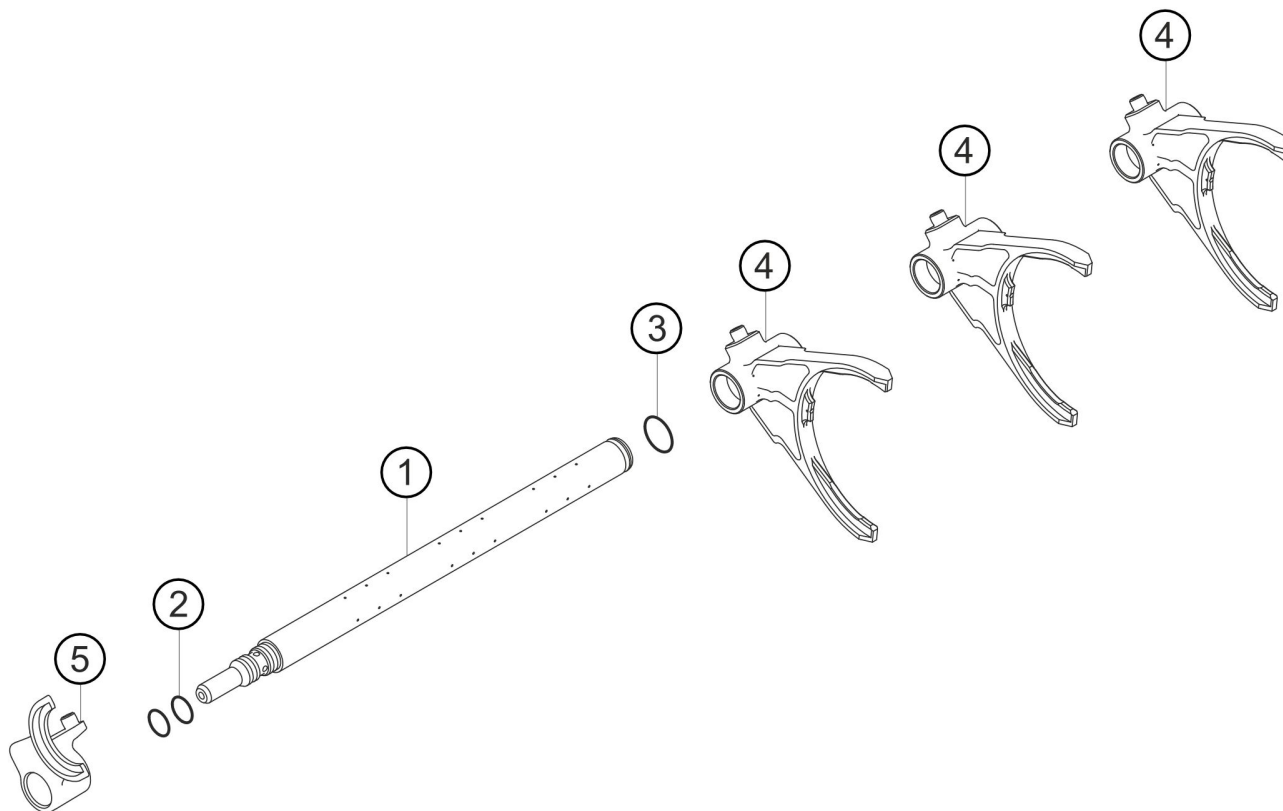
3.13 shift module



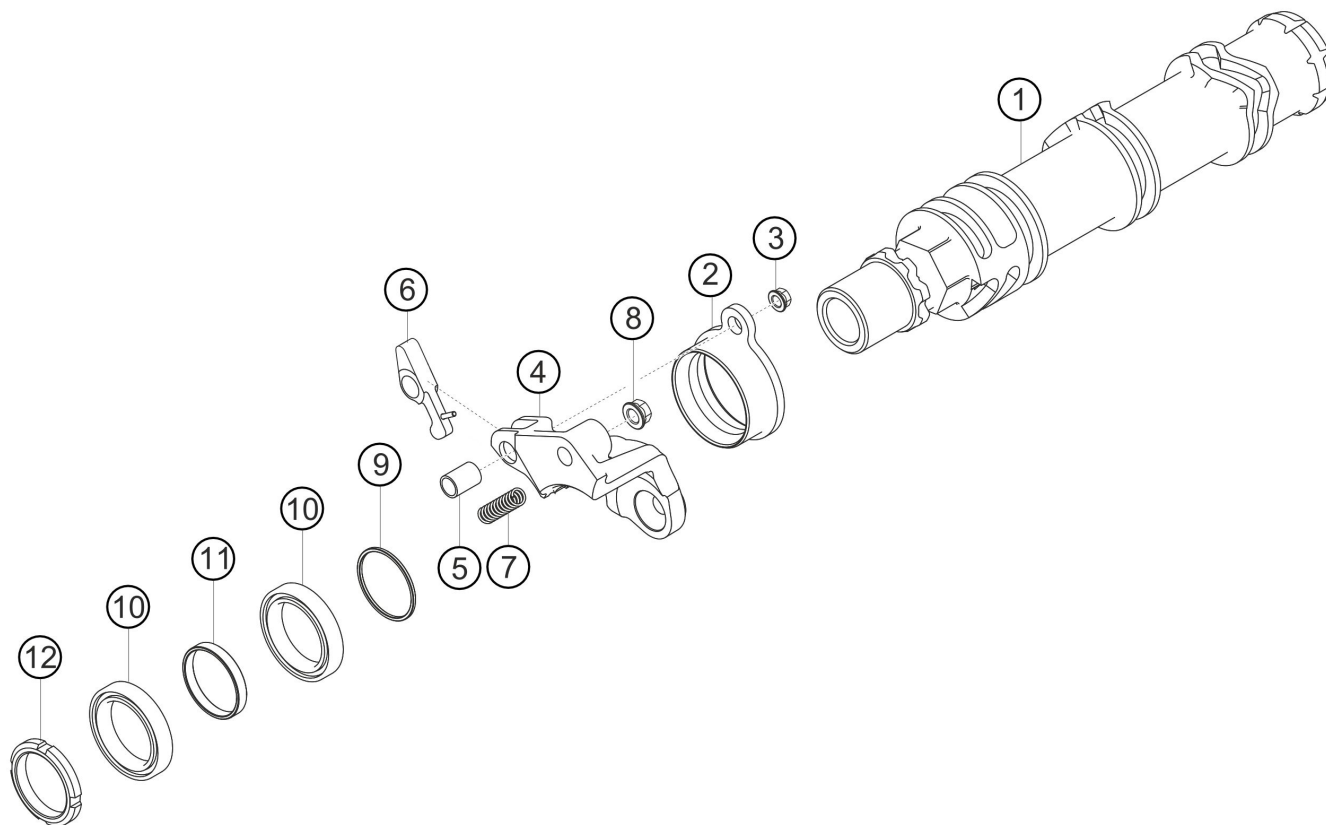
Item no.	Description	M	Pc.	Material
24	SLIDING SLEEVE	X	2	9913033819C
25	COMPRESSION SPRING	X	2	9973033849A
26	SEALING RING A 16x20 D 7603 ALMGS11 F28		2	90012301830
27	LOCKING SCREW SPRING HOLDER	X	2	9913034219B
28	HEX. NUT M6 LN9338 1.7220.3	X	1	90081700102
29	RADIAL SHAFT SEAL A 12,7X22* FPM 75		1	99911349240
30	CONTROL LEVER	X	1	9913033619A
31	LOCK RING 13x1 DIN471 FED-ST B110		2	90004102601
32	HOLDER ANGLE SENSOR	X	1	9913033749C
33	SPACER SLEEVE	X	1	9913033759A
34	SPRING WASHER B 5 *DIN137 FED-ST C340	X	2	N 0122251
35	SCREW M5X15 I 4762 12.9 U120 *	X	2	90006743409
36	AS SHIFTING MODULE	X	1	9913030039D
37	ANGLE ROTAT.SENSOR TRANSMISSION	X	1	9916060508B
38	SPRING WASHER B 4 *DIN137 FED-ST B110	X	2	N 0122241
39	SCREW M4X10 I 4762 12.9 U120	X	2	99911901409
40	HEX. NUT M6 LN9338 1.7220.3	X	3	90081700102

3.14 shift rod and forks

Item no.	Description	M	Pc.	Material
1	SHIFT ROD	X	1	9913031519A
2	O-RING 11,00X2,0 N* FPM 80		2	99970194840
3	SEALING RING 15,00X2,0 N* FPM 80	X	1	99970176040
4	AS SHIFT FORK	X	3	9913030119C
5	SHIFTING FORK REVERSE GEAR	X	1	9913031219B

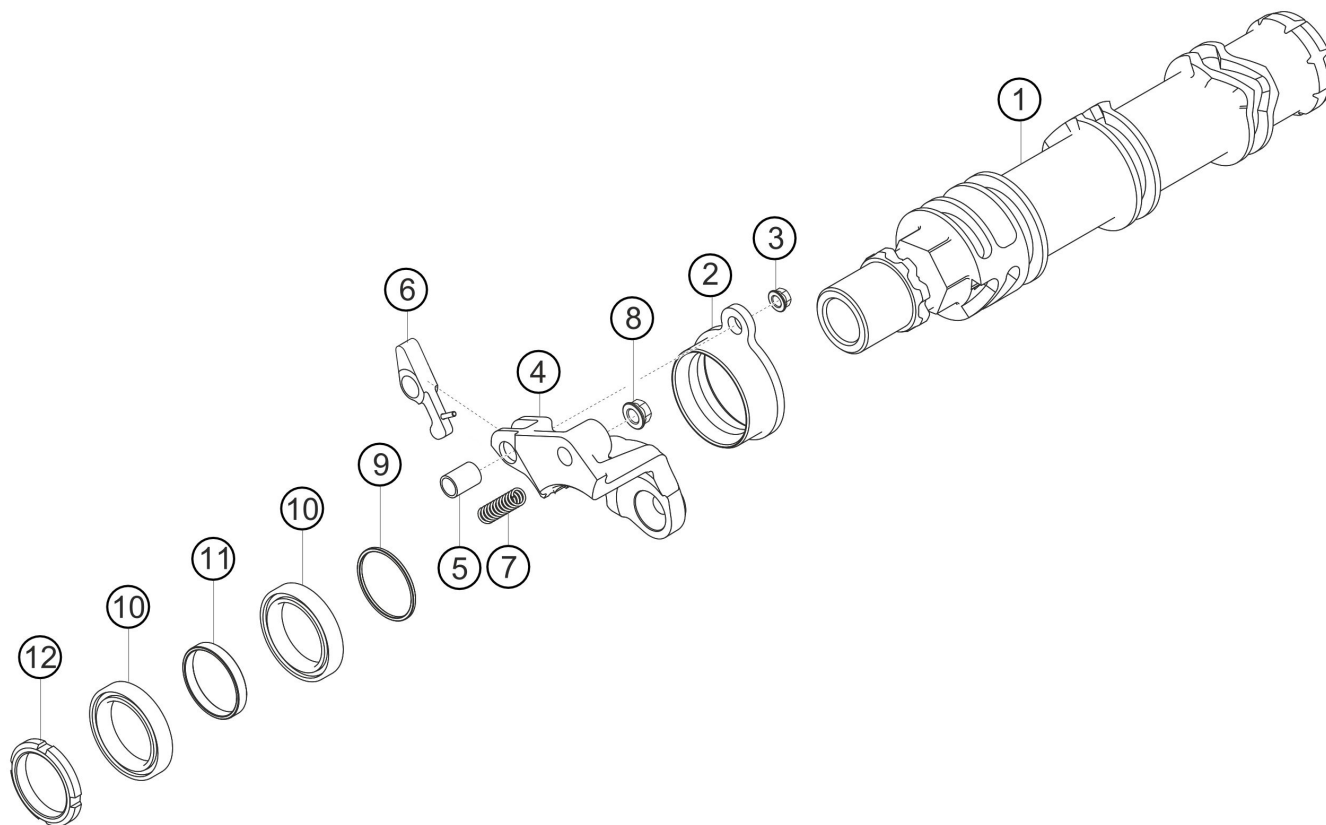


3.15 shift drum



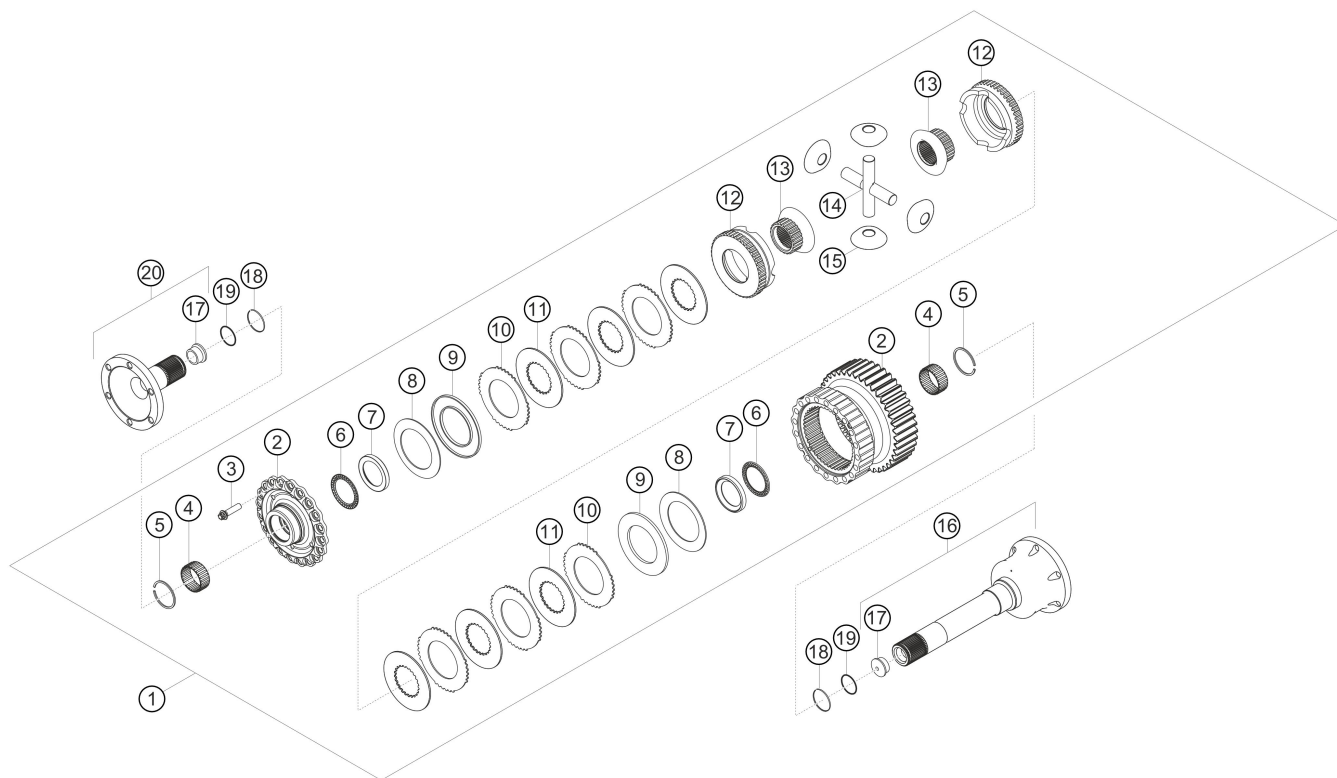
Item no.	Description	M	Pc.	Material
1	SHIFTING DRUM	X	1	9913033919H
2	RETAINING FRAME BEARING SHIFT DRUM	X	1	9913033959A
3	HEX. NUT M6 LN9338 1.7220.3	X	2	90081700102
4	ABUTMENT BEARING SPINDLE	X	1	9913034919B
5	SLEEVE L=13,9MM DI=8MM DA=10MM	X	1	9913034979B
6	LEVER LOCKING SHIFT DRUM	X	1	9913034939A
7	COMPRESSION SPRING	X	1	9913034959B
8	HEX. NUT M8 LN9338 1.7220.3		1	90081700202
9	ADJUSTING DISK SHIFT DRUM (2,00MM)	X	1	99130329721
9	ADJUSTING DISK SHIFT DRUM (1,95MM)	X	1	99130329720
9	ADJUSTING DISK SHIFT DRUM (1,90MM)	X	1	99130329719
9	ADJUSTING DISK SHIFT DRUM (1,85MM)	X	1	99130329718
9	ADJUSTING DISK SHIFT DRUM (1,80MM)	X	1	99130329717
9	ADJUSTING DISK SHIFT DRUM (1,75MM)	X	1	99130329716
9	ADJUSTING DISK SHIFT DRUM (1,70MM)	X	1	99130329715
9	ADJUSTING DISK SHIFT DRUM (1,65MM)	X	1	99130329714
9	ADJUSTING DISK SHIFT DRUM (1,60MM)	X	1	99130329713
9	ADJUSTING DISK SHIFT DRUM (1,55MM)	X	1	99130329712
9	ADJUSTING DISK SHIFT DRUM (1,50MM)	X	1	99130329711
9	ADJUSTING DISK SHIFT DRUM (1,45MM)	X	1	99130329710
9	ADJUSTING DISK SHIFT DRUM (1,40MM)	X	1	99130329709
9	ADJUSTING DISK SHIFT DRUM (1,35MM)	X	1	99130329708
9	ADJUSTING DISK SHIFT DRUM (1,30MM)	X	1	99130329707

3.15 shift drum



Item no.	Description	M	Pc.	Material
9	ADJUSTING DISK SHIFT DRUM (1,25MM)	X	1	99130329706
9	ADJUSTING DISK SHIFT DRUM (1,20MM)	X	1	99130329705
9	ADJUSTING DISK SHIFT DRUM (1,15MM)	X	1	99130329704
9	ADJUSTING DISK SHIFT DRUM (1,10MM)	X	1	99130329703
9	ADJUSTING DISK SHIFT DRUM (1,05MM)	X	1	99130329702
9	ADJUSTING DISK SHIFT DRUM (1,00MM)	X	1	99130329701
10	GROOVED BALL BEARING 30X42X7 DIN625 100CR6/ST	X	2	90005220300
11	SPACING WASHER BEARING SHIFT DRUM	X	1	9913033639B
12	NUT M30X1,25	X	1	9913032999A

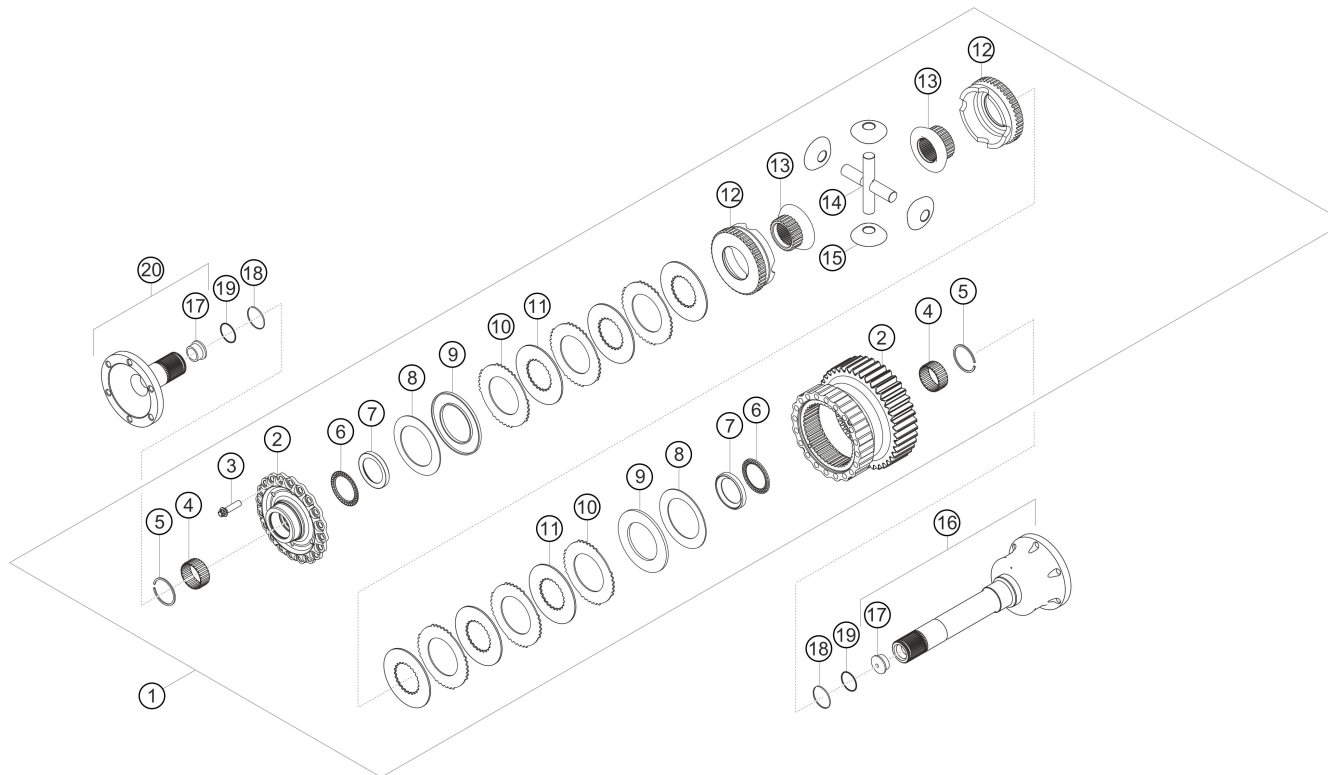
3.16 limited slip differential



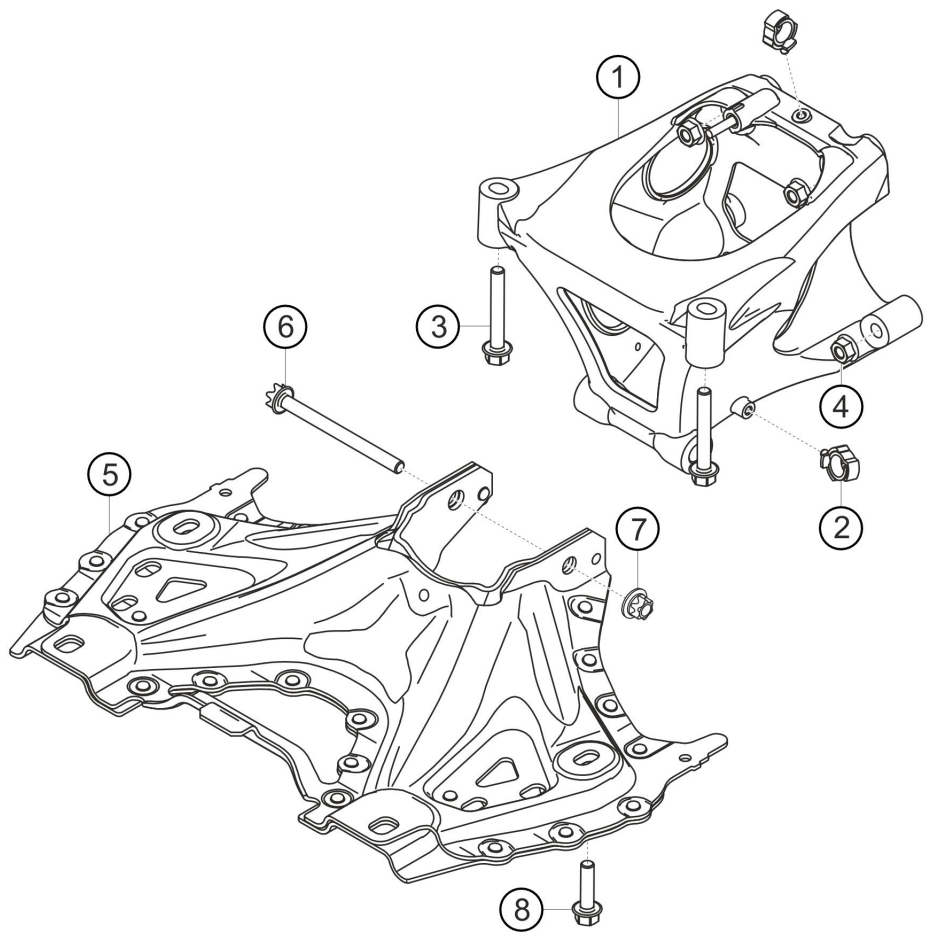
Item no.	Description	M	Pc.	Material
1	AS LOCK.DIFFERENTIAL	X	1	9913320859L
2	AS HOUSING DIFFERENTIAL	X	1	9913320899E
3	HEXALOBULAR SCREW M8X1	X	20	9913328289B
4	NEEDLE BUSH 35X40X17 D 5405 100CR6/ST	X	2	99920112800
5	SNAP RING	X	2	9913329979A
6	AXIAL NEEDLE BEARING	X	2	9913329719A
7	RING	X	2	9913329739D
8	DISK SPRING 1 2750N	X	2	9913329759B
9	THRUST RING	X	2	9913329779A
10	PRESSURE PLATE OUTER 1,95MM	X	1	9913329849M
10	PRESSURE PLATE OUTER 1,90MM	X	1	9913329849K
10	PRESSURE PLATE OUTER 1,85MM	X	1	9913329849J
10	PRESSURE PLATE OUTER 1,80MM	X	1	9913329849H
10	PRESSURE PLATE OUTER 1,75MM	X	1	9913329849F
10	PRESSURE PLATE OUTER 1,70MM	X	1	9913329849E
10	PRESSURE PLATE OUTER 1,65MM	X	1	9913329849D
10	PRESSURE PLATE OUTER 1,60MM	X	1	9913329849C
10	PRESSURE PLATE OUTER 1,55MM	X	1	9913329849B
10	PRESSURE PLATE OUTER 1,50MM	X	1	9913329849A
11	CLUTCH DISK INNER 1,40MM	X	6	9913329818B
12	SET THRUST PIECE	X	1	9913329879B
13	BEVEL GEAR	X	2	9913329919E
14	CROSS PIN	X	2	9913329959B

3.16 limited slip differential

Item no.	Description	M	Pc.	Material
15	BEVEL PINION	X	4	9913329939D
16	AS JOINT FLANGE	X	1	9913320209D
17	SEALING PLUG	X	2	9913322159B
18	SNAP RING	X	2	9913329019A
19	SEALING RING 23,00X1,5 S* FPM 70	X	2	99970719640
20	AS JOINT FLANGE	X	1	9913320219E



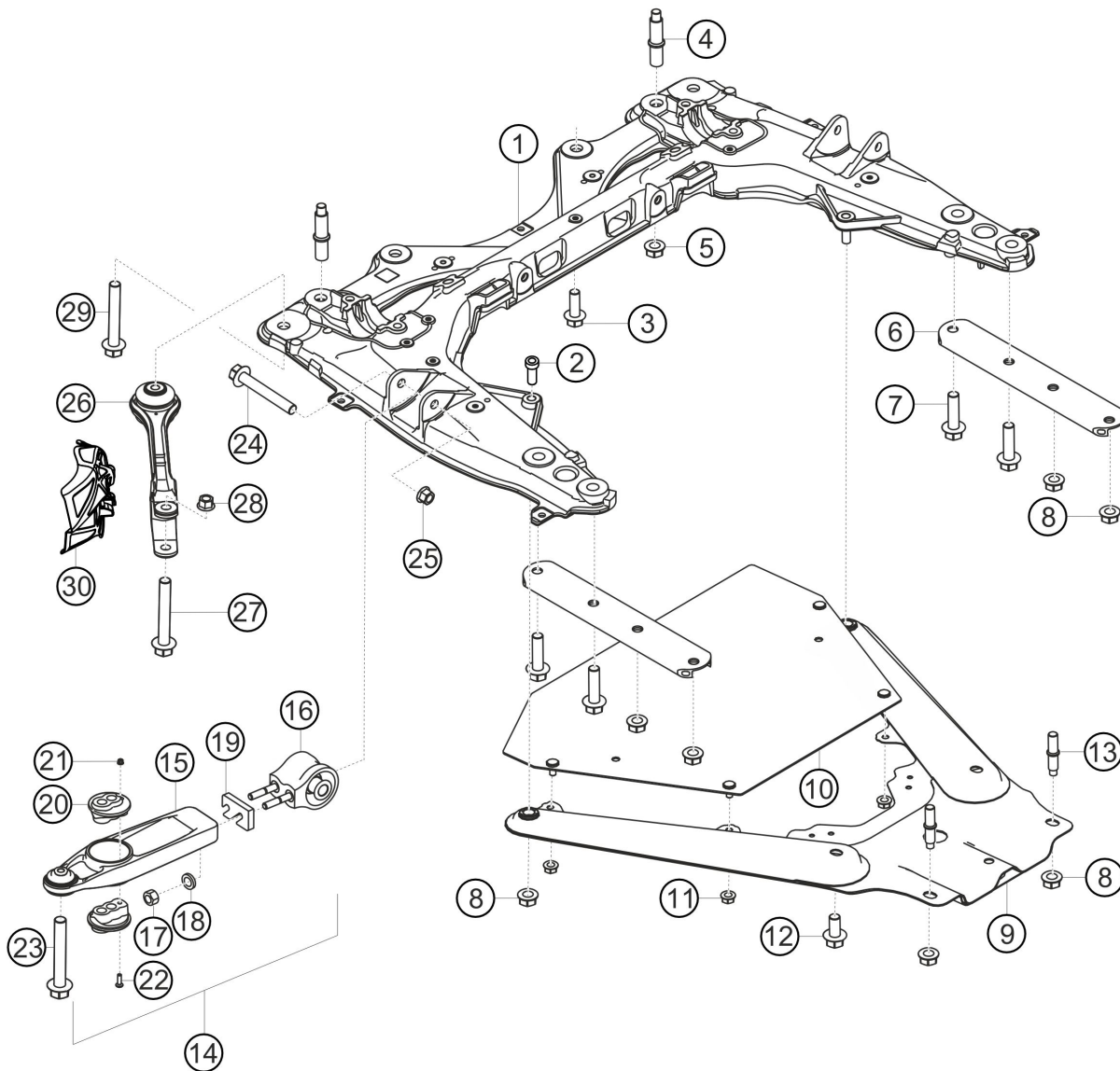
3.17 gearbox bracket



Item no.	Description	M	Pc.	Material
1	TRANSMISSION BRACKET	X	1	9913751399B
2	CABLE HOLDER		2	8E0201449R
3	HEX-HEAD SCREW AM10X92		2	WHT008307
4	HEXAGON NUT M10 D 6923 10 26B1		4	90037701101
5	AS LONGITUD.SUPPORT		1	99137511403
6	HEXAGON SCREW BM12X1,5X140D34801 10.9 TC 26B1		1	90038516401
7	NUT M12X1,5 10 26B1		1	99908600902
8	COMBINATION SCREW		4	99907284101

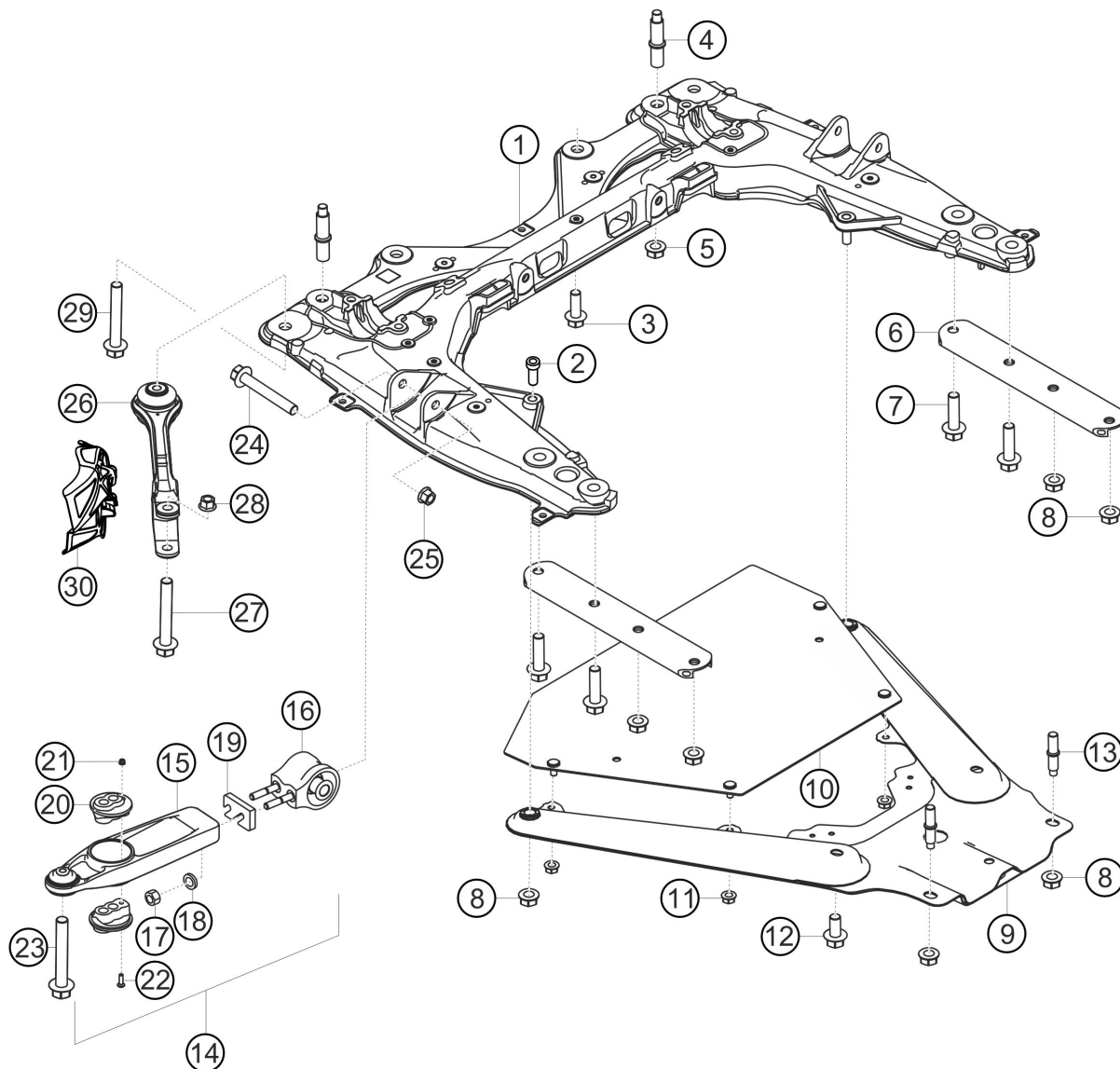
4 front axle

4.1 front axle



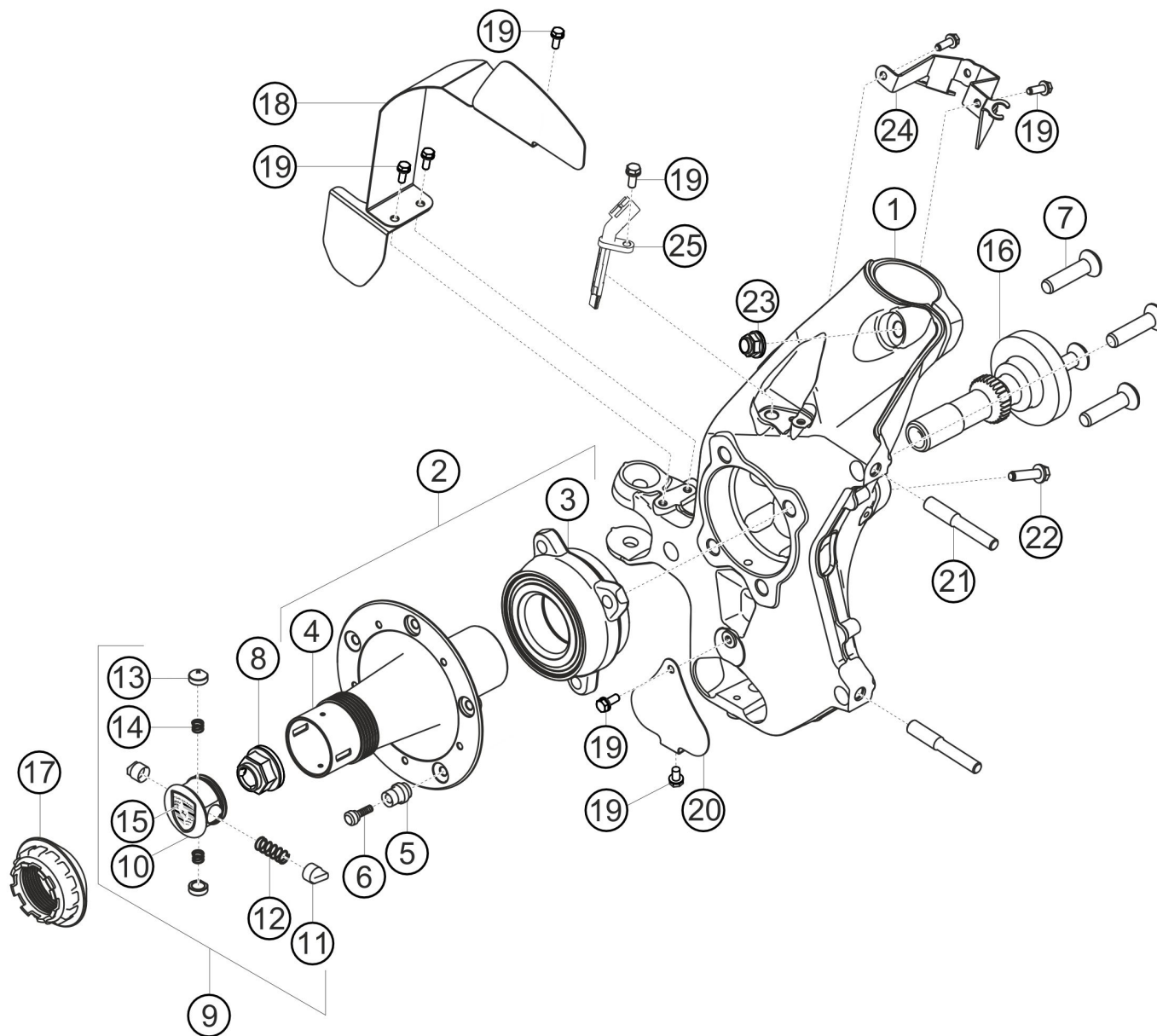
Item no.	Description	M	Pc.	Material
1	AS CROSSRAIL FA	X	1	9913410818D
2	SREW M10X38,5	X	2	99908007501
3	HEXAGON-HEAD BOLT AM12X1,5X50 10.9 ZL 26B1 *		2	99907286301
4	STUD M12X1,5* 10.9 26B1		2	99906112501
5	HEXAGON NUT M12X1,5 EN1666 10 T615		2	N 90916701
6	STRUT FRONT AXLE		2	99150474100
7	COMBINATION SCREW M12X1.5X60-S22		4	N 91148901
8	HEX-HEAD NUT M10		8	99908464801
9	SUPPORT FRAME FRONT FT3 TANK	X	1	9915042338B
10	RUNUNDER PROTECTION TANK	X	1	9915049278B
11	HEXAGON NUT M 6-S-SB * 8/200HV		4	99907607102
12	HEXAGON HEAD BOLT M10X16 EN1665 10.9 26B1		2	90037835001
13	STUD BOLT M10X48,8 10.9 ZL 26B1*	X	2	99906112101
14	AS WISHBONE	X	1	9913410418K
15	WISHBONE	X	1	9913413418E
16	AS FIXED BEARING WISHBONE	X	1	9913414418E
17	HEXAGON NUT M 8 I 4032 8 26B1		2	90007606402
18	WASHER 8,5X15X6		2	99902521401
19	ADJUSTING DISK FA CAMBER (0,8MM)	X	1	99634154398
19	ADJUSTING DISK FA CAMBER (0,6MM)	X	1	99634154397
19	ADJUSTING DISK FA CAMBER (0,3MM)	X	1	99634154396
19	ADJUSTING DISK FA CAMBER (10,0MM)		1	99634154395
19	ADJUSTING DISK FA CAMBER (7,0MM)		1	99634154393

4.1 front axle



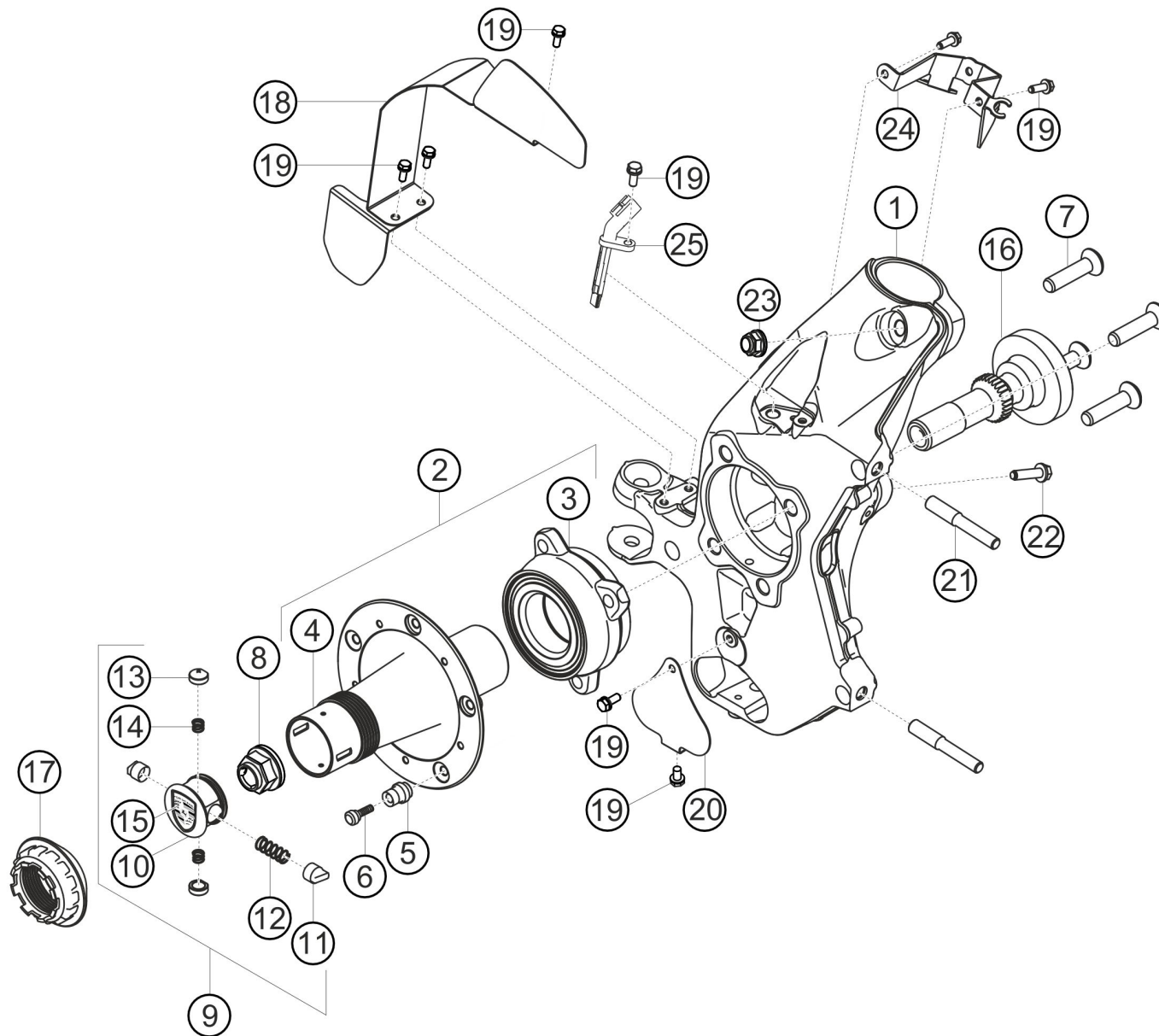
Item no.	Description	M	Pc.	Material
19	ADJUSTING DISK FA CAMBER (2,0MM)		1	99634154391
19	ADJUSTING DISK FA CAMBER (1,0MM)		1	99634154390
20	STRUT MOUNT FA CONNECTION TRAILING ARM	X	2	9913412448A
21	HEX. NUT M5 LN9338 1.7220.3	X	1	90081700502
22	PAN-HEAD SCREW M5x16 7380 A2-70	X	1	90062300100
23	SCREW M12X1,5X95	X	1	WHT008502
24	HEX-HEAD SCREW M12X1,5X90 10.9		1	9A700820900
25	HEXAGON NUT		1	N 90966402
26	AS TRAILING ARM FA		1	99134104303
27	HEXAGON-HEAD BOLT AM14X1,5X95 10.9 26B1 *		1	99907289201
28	HEXAGON NUT M14X1,5		1	90038001201
29	HEXAGON-HEAD BOLT AM12X1,5X105 10.9 PA 26B1 *		2	99907286401
30	LINK SPOILER FA,RH	X	1	9913414848A
30	LINK SPOILER FA,LH	X	1	9913414838A

4.2 upright front



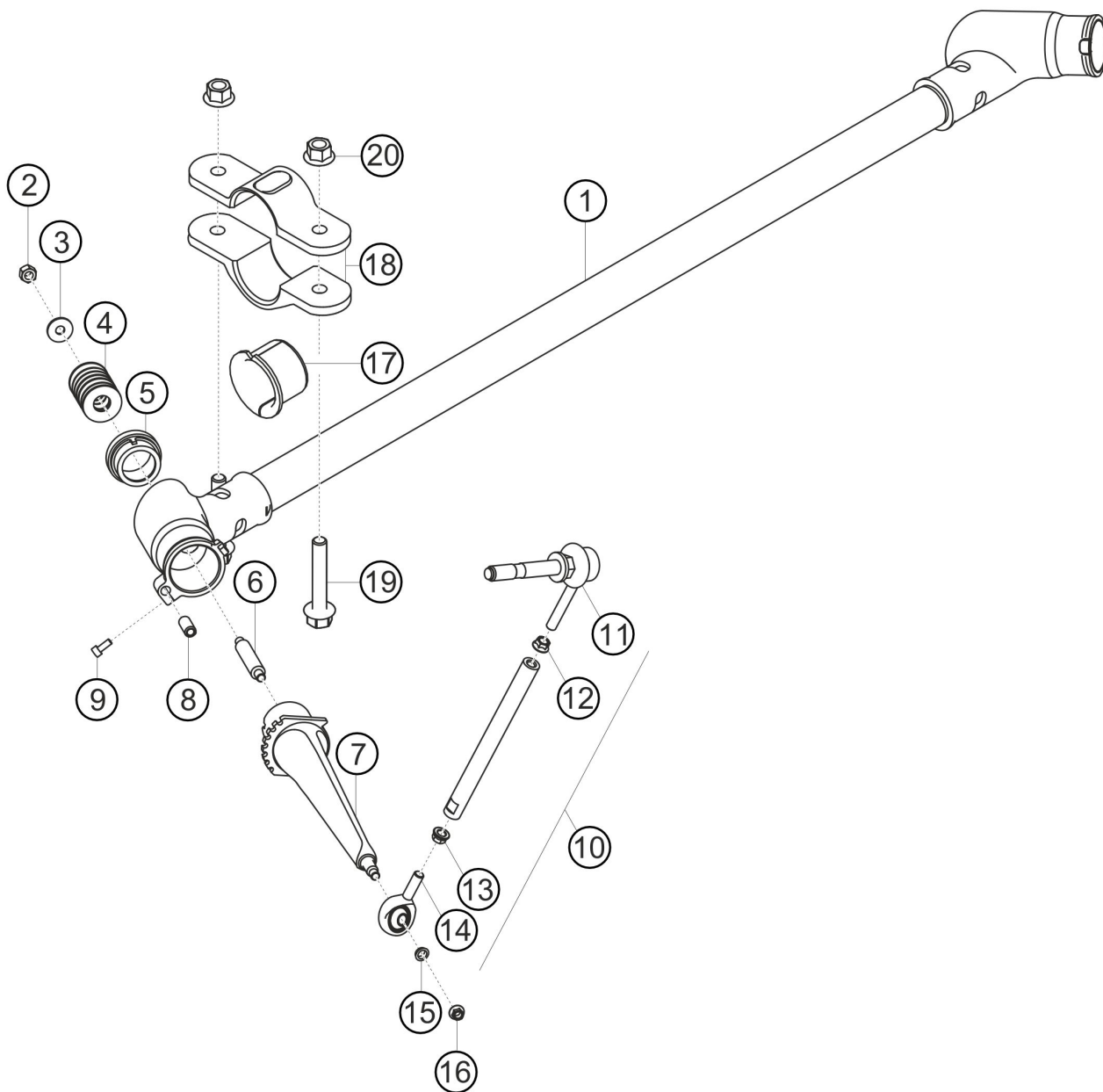
Item no.	Description	M	Pc.	Material
1	WHEEL CARRIER FA,RH	X	1	9913416588A
1	WHEEL CARRIER FA,LH	X	1	9913416578A
2	AS WHEEL HUB RIGHT	X	1	9913319688D
2	AS WHEEL HUB LEFT	X	1	9913319678D
3	ANGULAR BALL BEARING	X	1	7P0501287
4	WHEEL HUB CENTER LOCK LEFT	X	1	9913316078C
4	WHEEL HUB CENTER LOCK RIGHT	X	1	9913316088C
5	DRIVING PIN CENTER LOCK	X	5	9913417058A
6	PAN-HEAD SCREW M8x32 10.9		5	99907354801
7	MULTIPLE-TOOTH SCREW M12X1.25X45		4	WHT004835
8	LOCK NUT M22X1,5 * C45/34CRMO4		1	99908464101
9	SET CENTER LOCK	X	1	9973319519A
10	PLUG LOCKING PIN		1	98034173901
11	LOCKING PIN	X	2	9973417379A
12	COIL SPRING		1	98034174100
13	LOCKING PIN	X	2	99734162590
14	SPRING LOCKING PIN	X	2	99734162790
15	WHEEL TRIM CAP		1	98036130300
16	CLAMPING BOLT FA		1	99134113180
17	NUT CENTER LOCK LEFT	X	1	9973313079A
17	NUT CENTER LOCK RIGHT	X	1	9973313089A
18	AS COVER PANEL FA		1	99135160382
18	AS COVER PANEL FA		1	99135160482

4.2 upright front



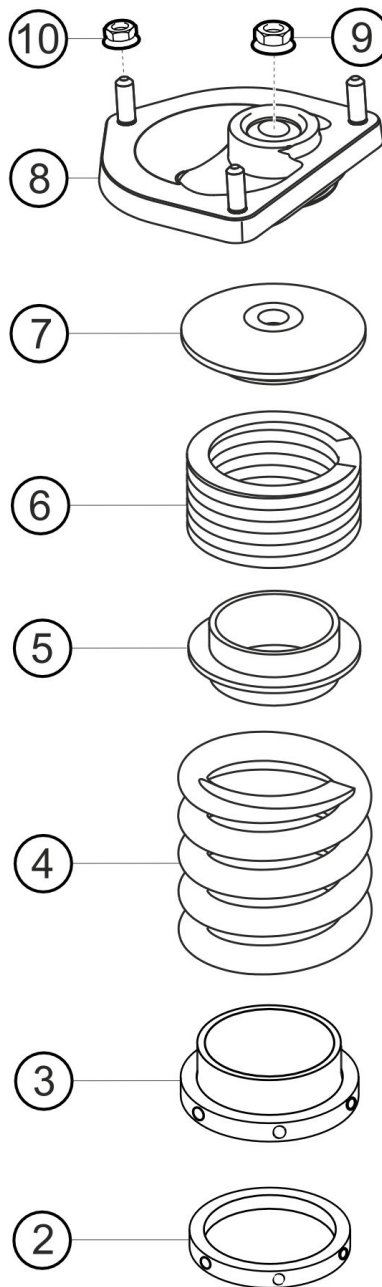
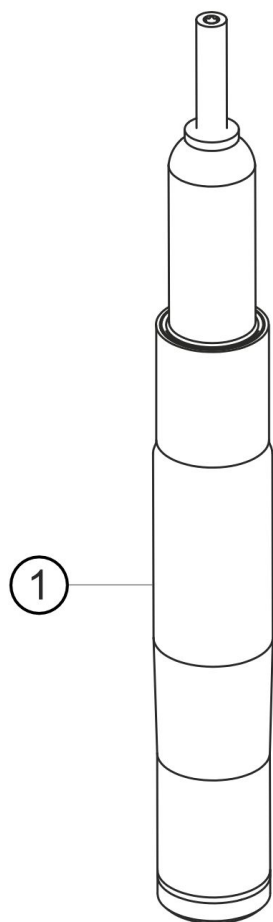
Item no.	Description	M	Pc.	Material
19	HEXAGON-HEAD BOLT M6X16 I10644 8.8-S1-N-MK*		8	99921711601
20	COVER PANEL LOWER UPRIGHT FA L&R	X	1	99135180180
21	STUD BOLT M10X1,50 10.9	X	2	99906100302
22	HEXAGON-HEAD BOLT AM 8X35 EN1665 8.8 26B1 *		1	90037810801
23	LOCK NUT M12X1,5 10 26B1		1	99908444501
24	HOLDER BRAKE HOSE FA RIGHT	X	1	9913555028A
24	HOLDER BRAKE HOSE FA LEFT	X	1	9913555018A
25	SPEED SENSOR		1	99160640701

4.3 anti-roll bar front



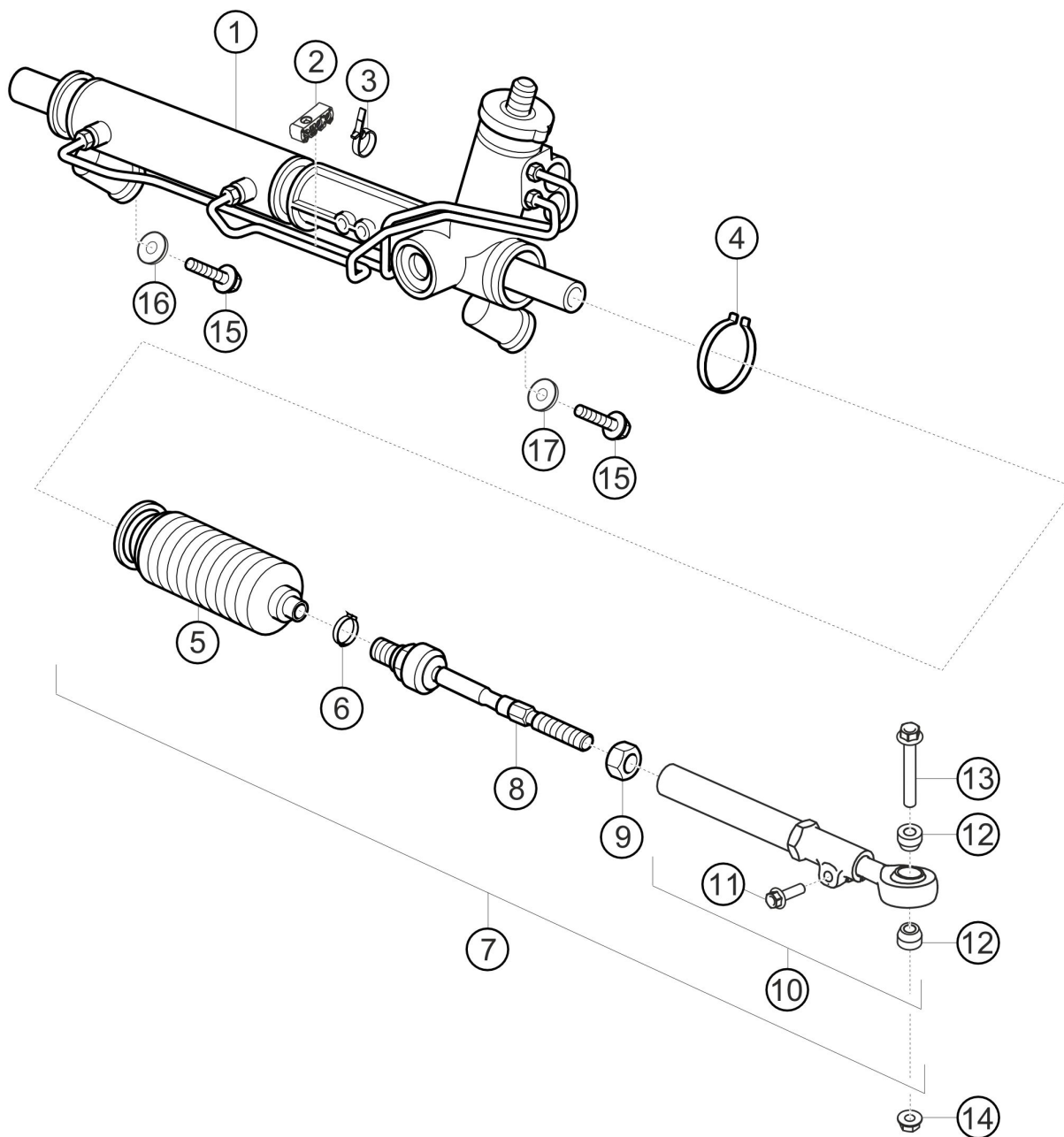
Item no.	Description	M	Pc.	Material
1	AS STABILIZER	X	1	9913431738A
2	LOCKING NUT M 6 I 7042 8 26D1		2	90091004709
3	WASHER 6 *I 7093 200HV 26B0		2	90015100603
4	DISK SPRING C 28 D 2093 51CRV4 B110	X	22	90022202501
5	LID BENDING LEVER MOUNTING	X	2	9913437238A
6	THREADED BOLT STABILIZER	X	2	9913437338A
7	BENDING LEVER	X	2	9913437258E
8	STUD BOLT M8X18	X	2	99924200701
9	CYLINDER SCREW M4x10 4762 8.8 C350		2	90006708002
10	STABILIZER LINK ASSEMBLY	X	2	9913430698C
11	STABILIZER LINK HEAD	X	1	9913431708B
12	HEX. NUT M8x1,25 KLLN9338 1.7220.3 RIGHT	X	1	90081701801
13	HEX. NUT M8x1,25 KLLN9338 1.7220.3 LEFT	X	1	90081701901
14	SWIVEL HEAD	X	1	9913437228A
15	CONE DISK	X	2	9913435858A
16	HEX. NUT M8 LN9338 1.7220.3		2	90081700202
17	PLAIN BEARING STABILIZER	X	2	9973337929B
18	FA CLAMP STABILIZER	X	2	9913437778C
19	HEXAGON-HEAD BOLT AM10X60 10.9 26B1 *		4	99907283601
20	HEXAGON NUT M10 D 6927 10 26B1		4	90038000801

4.4 suspension strut front



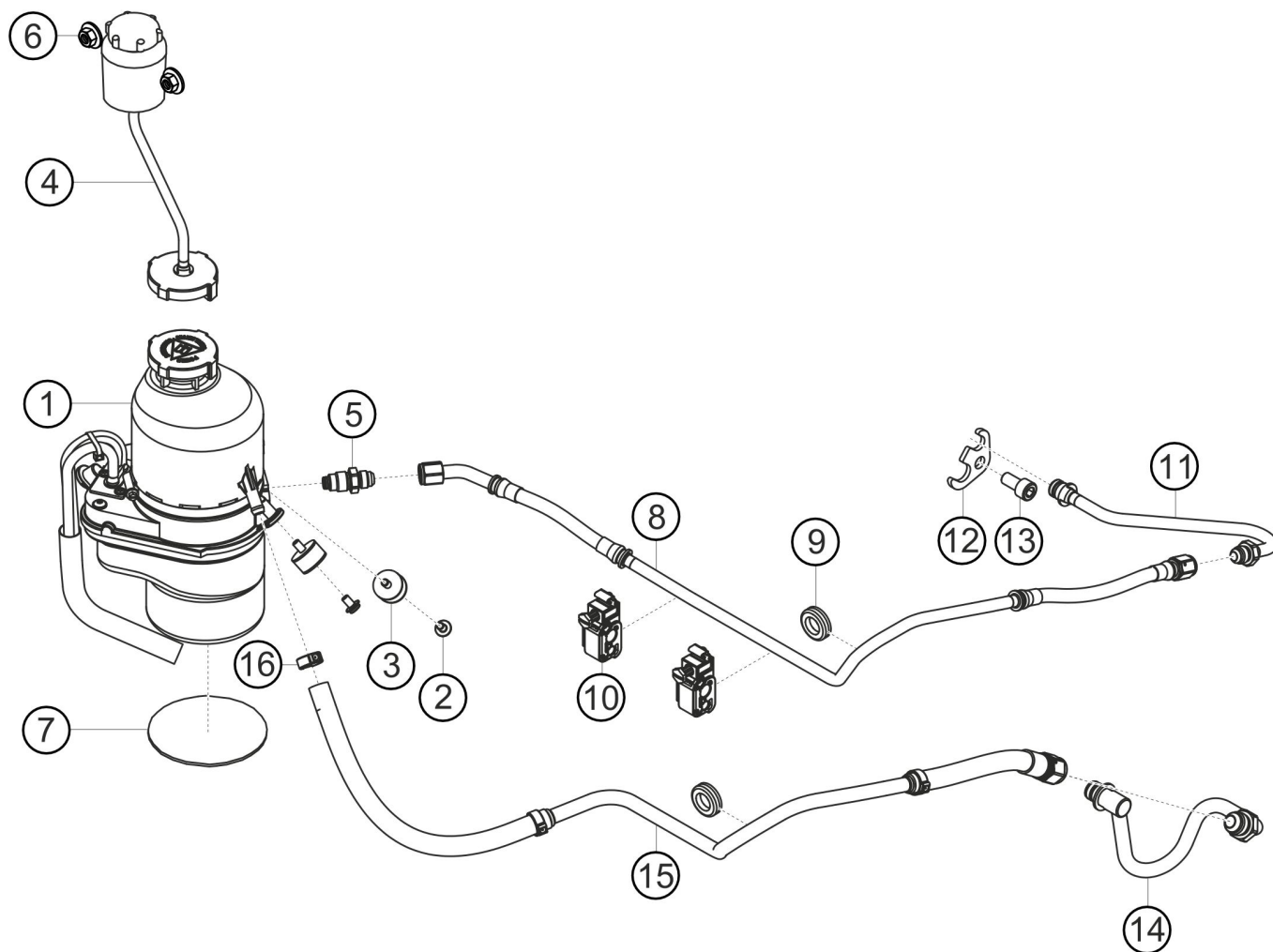
Item no.	Description	M	Pc.	Material
1	AS VIBRATION DAMPER FA	X	1	9913430458D
2	LOCK NUT STRUT	X	1	99634354790
3	NUT SPRING REST	X	1	99634354990
4	COIL SPRING 240-60-120	X	1	9913435318C
5	INTERMEDIATE RING STRUT	X	1	9913435458A
6	SPRING 75-60-43	X	1	99634353790
7	SPRING REST	X	1	9913435118B
8	AS SUPPORT BEARING FA LEFT	X	1	9913430158A
8	AS SUPPORT BEARING FA RIGHT	X	1	9913430168A
9	HEXAGON NUT M14X1,5		1	99908412801
10	HEXAGON NUT M 8 10 26B1		3	99908444701

4.5 steering gear



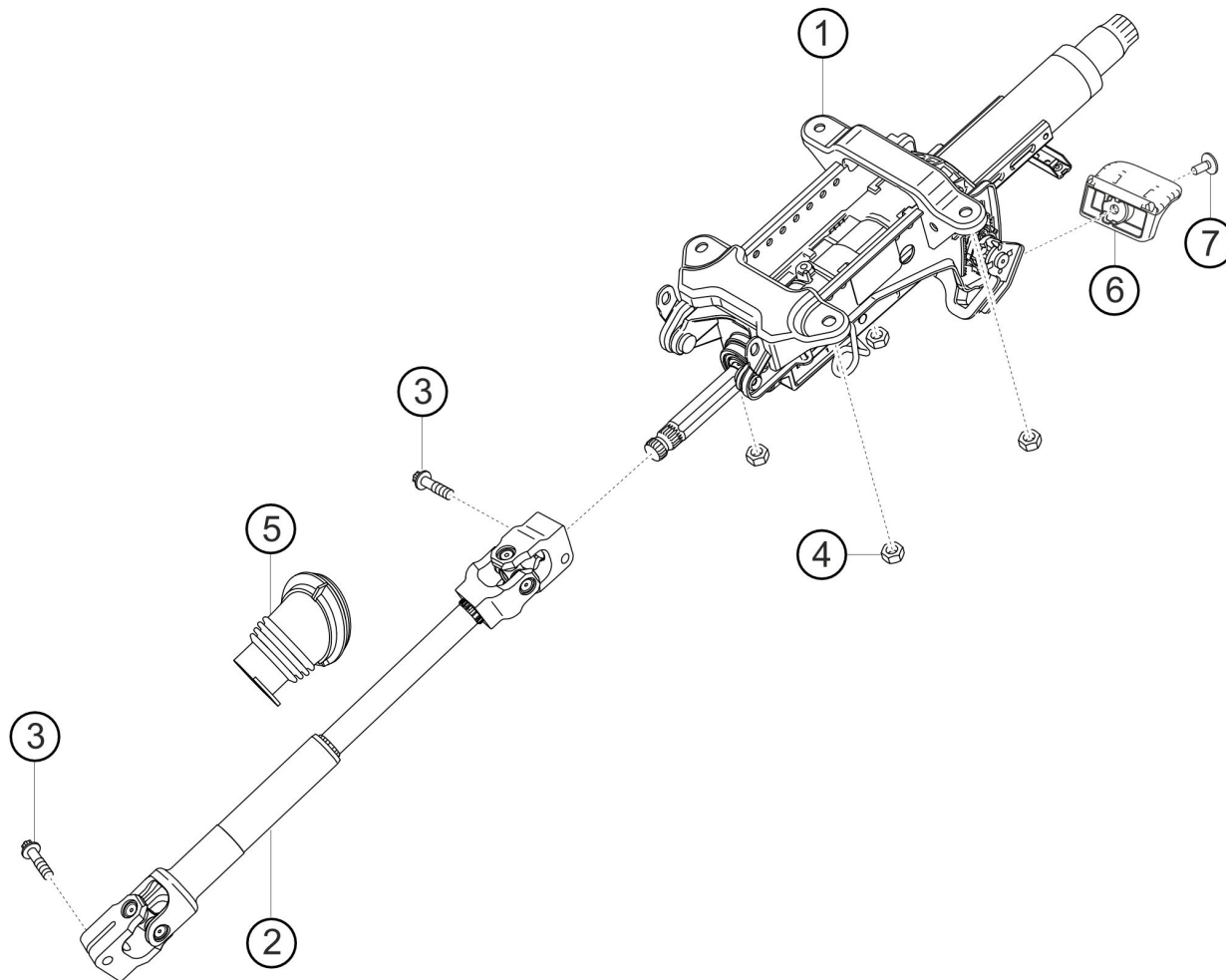
Item no.	Description	M	Pc.	Material
1	AS STEERING GEAR CPL.	X	1	9913470058K
2	BRACKET		1	8K0611797F
3	CABLE STRAP 2,0-29 *V74136 PA 6/ PA66 GR		2	N 0209044
4	CLAMPING RING		2	99634729305
5	BELLOWS STEERING TIE ROD		2	99734719100
6	CLAMP RING 19X12 51CRV4 T650		2	99951269309
7	AS STEERING TIE ROD COMPLETE	X	2	9913479318D
8	AS BALL JOINT		1	99734732201
9	HEXAGON NUT M14X1,5 05 26A1		1	99903403709
10	AS STEERING TIE ROD	X	1	9913410318D
11	HEXAGON HEAD BOLT AM 6X20 EN1665 10.9 26B1		1	90037810301
12	SPACER SLEEVE STEERING TIE ROD 14,5 MM	X	1	9913415578E
13	HEX-HEAD SCREW M12X1,5X90 10.9		1	9A700820900
14	LOCK NUT M12X1,5 10 26B1		1	99908444501
15	HEX. SCREW AM10x65 EN1665 10.9 26B1		2	90037826101
16	SPACING WASHER 8,5 MM	X	1	9913416138A
17	SLEEVE STEERING GEAR	X	1	9913416137B

4.6 servo pump



Item no.	Description	M	Pc.	Material
1	SERVO PUMP CPL.	X	1	9913140158C
2	SCREW FILL. HD. M6X8 8.8 26D1		2	99907325909
3	DAEMPF-EL 25X15/M 6*	X	2	99970326901
4	AS LID EQUALIZING TANK	X	1	9913140908A
5	AS LINE PRESSURE PIPE	X	1	9973471579B
6	PLASTIC NUT		2	99161819900
7	DAMPING RUBBER	X	1	9963147599B
8	AS PRESSURE LINE PUMP	X	1	9913471498B
9	GROMMET	X	2	99734758790
10	CABLE HOLDER 4,75/ 8,0* PA666 SW		2	99634754300
11	AS PRESSURE LINE STEERING GEAR	X	1	9913471458B
12	TENSION SHACKLE		1	99634776901
13	PAN-HEAD SCREW M10X20 I 4762 8.8 26B1		1	90006706303
14	AS RETURN LINE STEERING GEAR	X	1	9913471558B
15	AS RETURN LINE PUMP	X	1	9913471598B
16	CLIP 15,6 - 17,8		1	99951263300

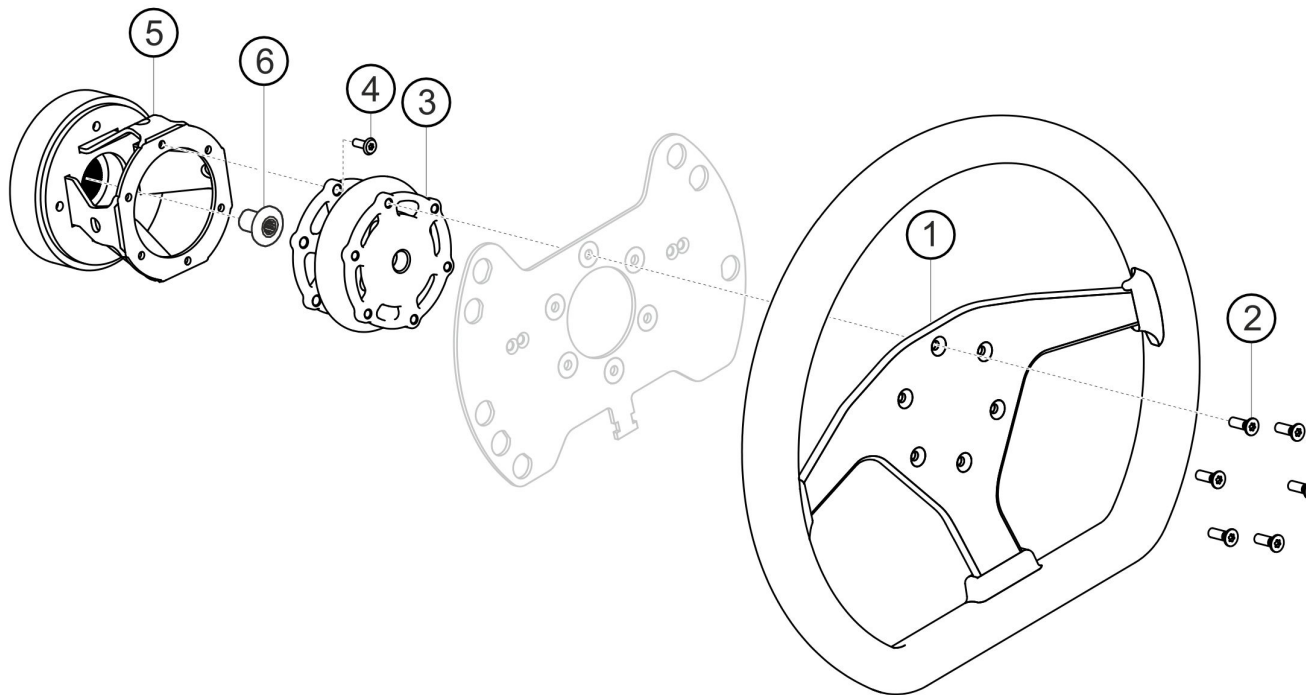
4.7 steering shaft



Item no.	Description	M	Pc.	Material
1	MANUAL CONTROL MCSC		1	99134701524
2	AS INTERMED.SHAFT	X	1	9913470238C
3	TORX SCREW M8X30		2	WHT004955A
4	HEXAGON FLANGE NUT M8		4	N 90798805
5	AS BELLOWS		1	99134703702
6	HANDLE BLACK		1	970347175001E0
7	FLAT-HEAD SCREW M5X12-W 8.8		1	N 10485703

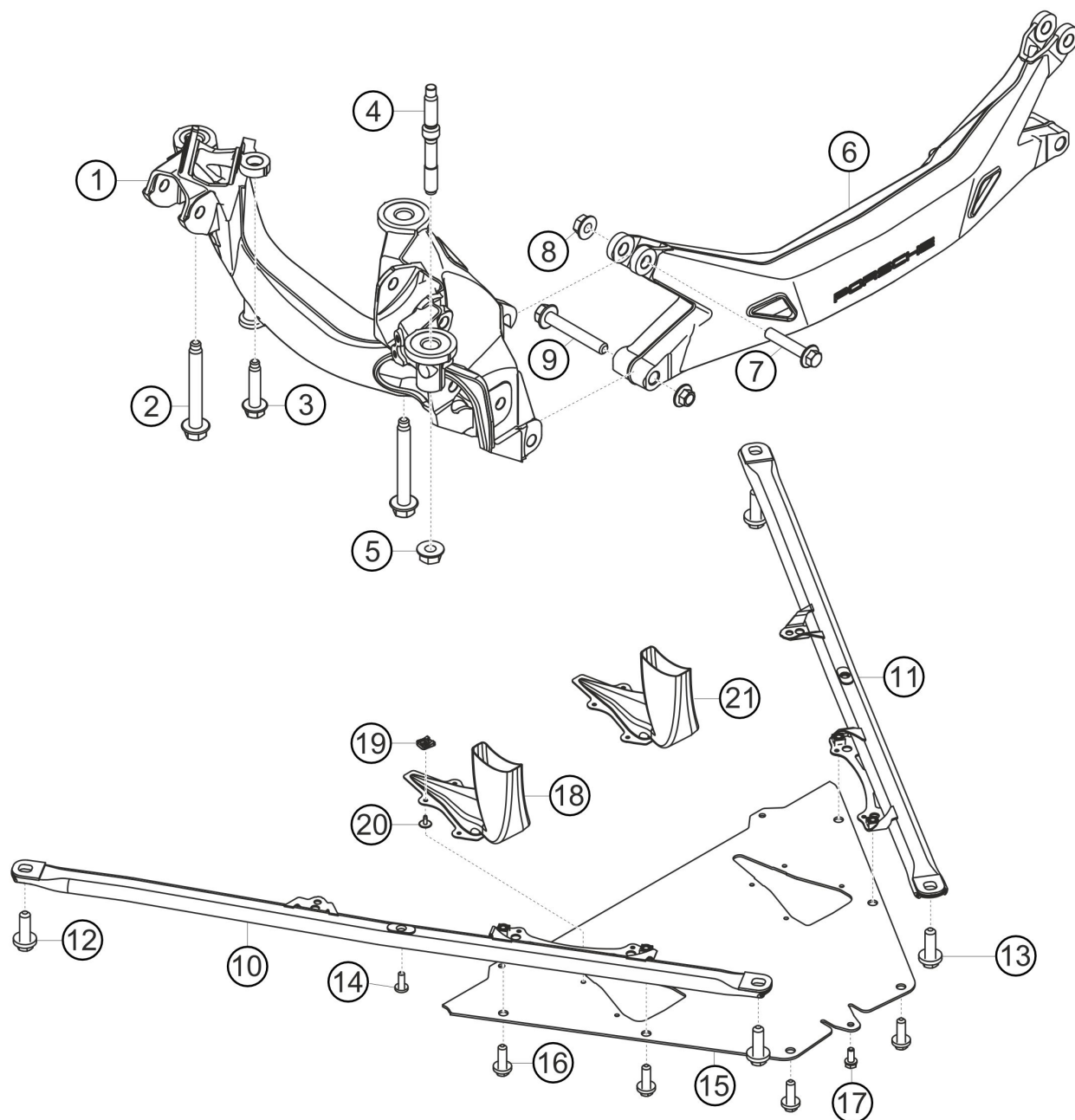
4.8 steering wheel

Item no.	Description	M	Pc.	Material
1	SPORT STEERING WHEEL	X	1	9913478048B
2	COUNTERSUNK SCREW M5X16 8.8	X	6	99907338601
3	QUICK COUPLING STEERING WHEEL	X	1	99734728591
4	SCREW M 5X16-CHI14583 8.8 R677		6	99907345501
5	STEERING WHEEL HUB	X	1	9913479038C
6	SCREW M18X1.5X26		1	N 91020701



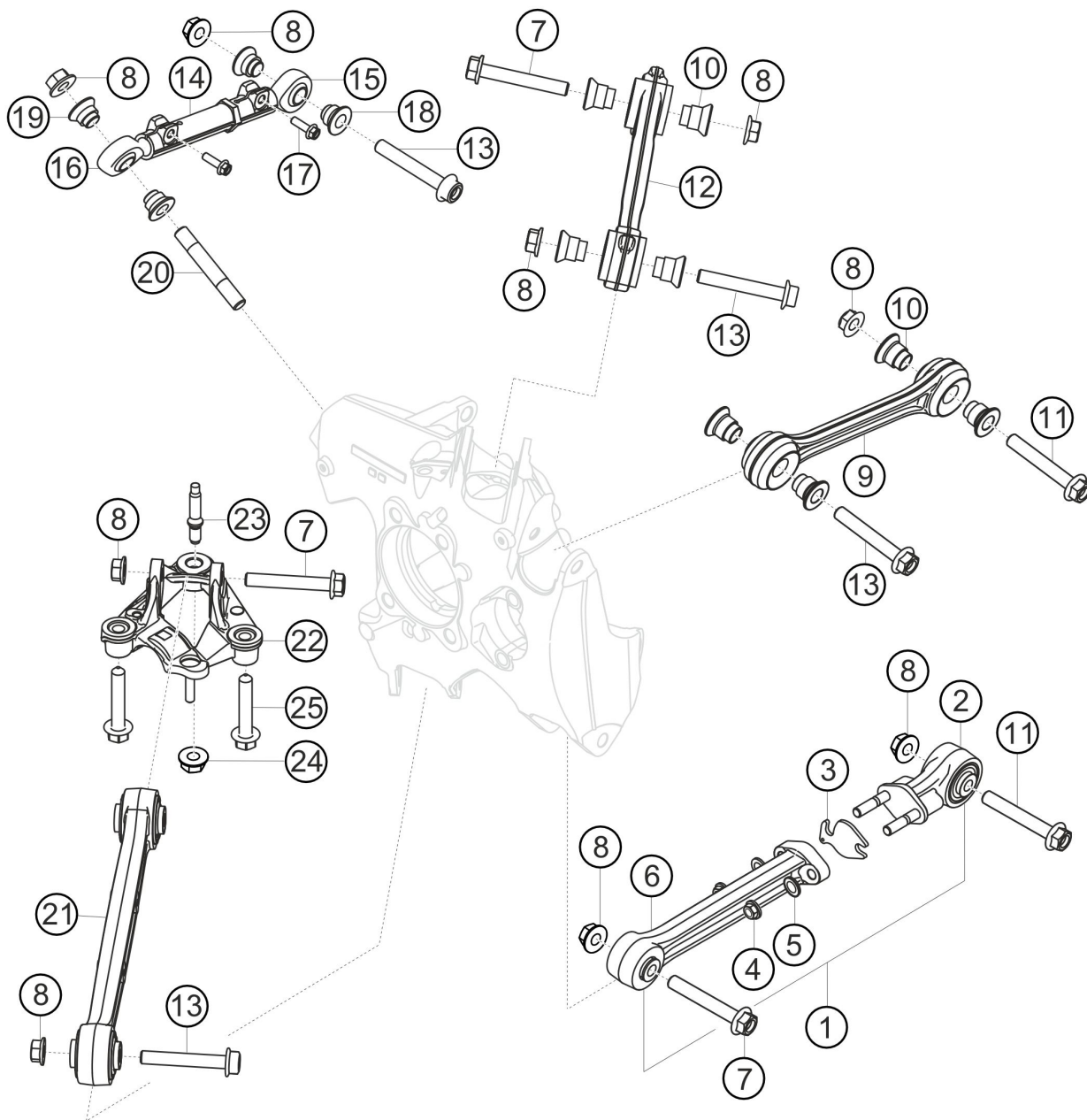
5 rear axle

5.1 rear axle side-carrier



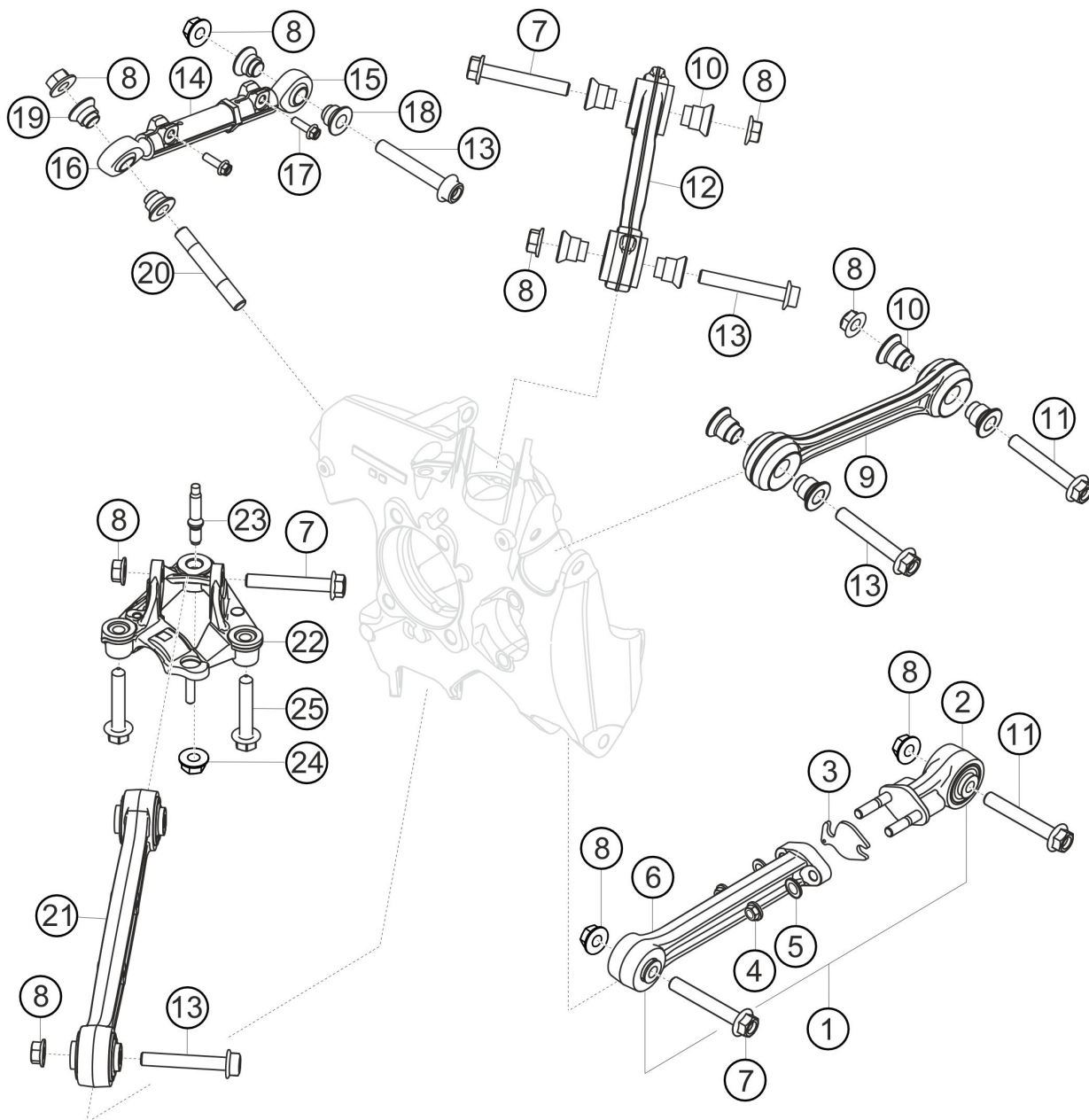
Item no.	Description	M	Pc.	Material
1	SIDE SECTION RA,LH	X	1	9913311518H
1	SIDE SECTION RA,RH	X	1	9913311528H
2	HEXAGON-HEAD BOLT		4	99907287501
3	SCREW M10X45		2	N 10699901
4	STUD M12X1,5		2	99906112701
5	HEXAGON NUT M12X1,5 EN1666 10 T615		2	N 90916701
6	CROSSMEMBER	X	1	9F0505105A
7	HEX-HEAD SCREW AM12X1,5X58 10.9		2	99907285901
8	LOCK NUT M12X1,5 10 26B1		4	99908444501
9	HEX-HEAD SCREW M12X1,5X80		2	9A700867700
10	DIAGONAL BRACE LEFT UNDERBODY		1	99133108707
11	DIAGONAL BRACE RIGHT UNDERBODY		1	99133108807
12	COMBINATION SCREW M12X1,5X40		2	99907344301
13	HEXAGON-HEAD BOLT AM12X1,5X45 10.9 26B1 *		2	99907286901
14	FLAT-HEAD M8X30		2	99907309501
15	STIFFENING PANEL RA,DIAGONAL BRACE	X	1	9913310708B
16	COMBINATION SCREW M8X20-AV		6	N 90919202
17	HEXAGON-HEAD BOLT M6X16 I10644 8.8-S1-N-MK*		1	99921711601
18	AS AIR ROUTING DRIVE SHAFT LEFT	X	1	9915751178A
19	SPEED NUT ST 4,8		4	99959185501
20	TAPPING SCREW ST4,8X13-F EINS-ST 26D0		8	99907322809
21	AS AIR ROUTING DRIVE SHAFT RIGHT	X	1	9915751188A

5.2 rear axle wishbones



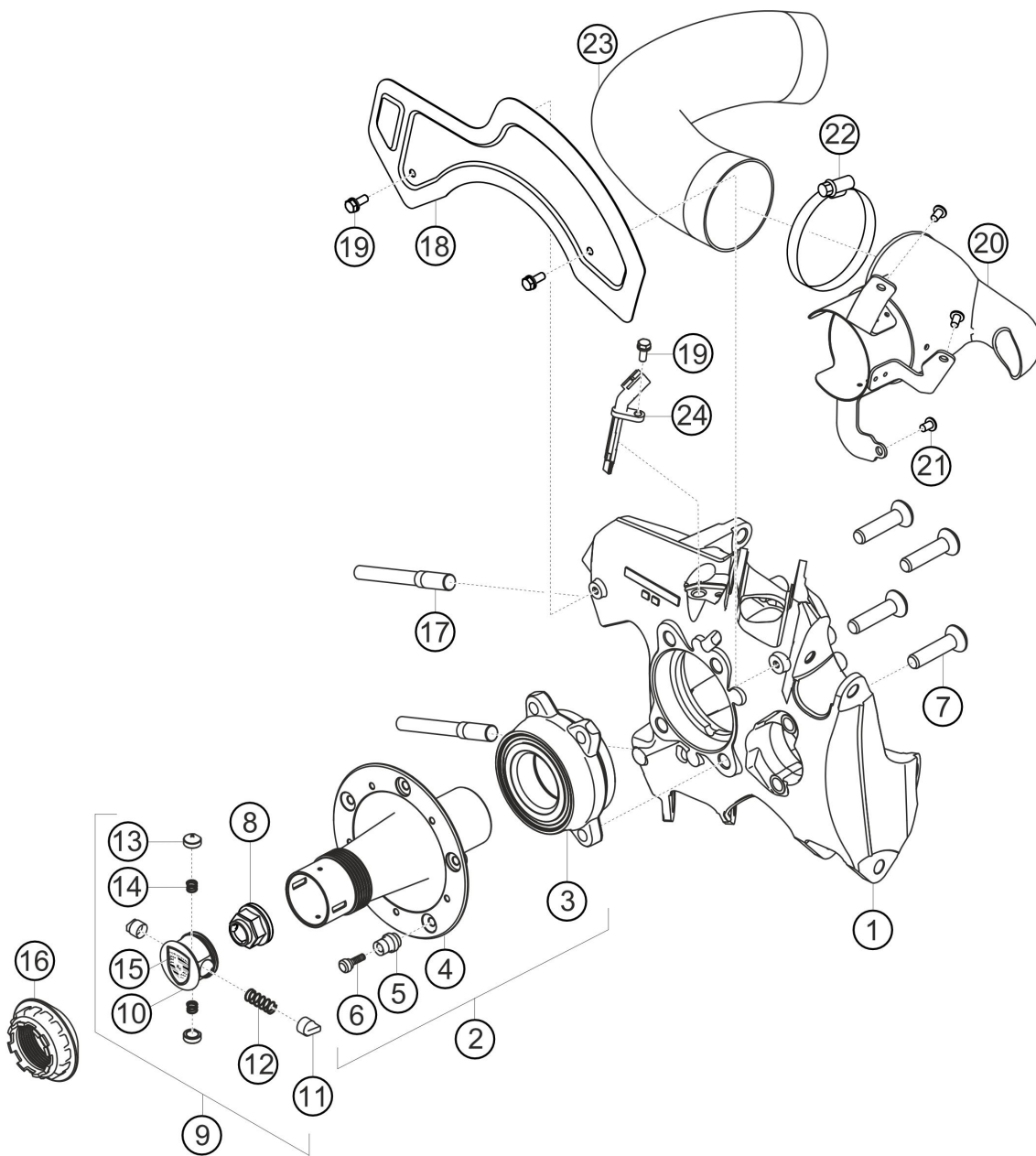
Item no.	Description	M	Pc.	Material
1	AS WISHBONE LOWER	X	1	9913310538D
2	AS FIXED BEARING WISHBONE	X	1	9913312538C
3	ADJUSTING DISK CAMBER RA (0,3MM)	X	1	99133154385
3	ADJUSTING DISK CAMBER RA (8,0MM)	X	1	99133154384
3	ADJUSTING DISK CAMBER RA (4,0MM)	X	1	99133154383
3	ADJUSTING DISK CAMBER RA (2,0MM)	X	1	99133154382
3	ADJUSTING DISK CAMBER RA (1,0MM)	X	1	99133154381
3	ADJUSTING DISK CAMBER RA (0,5MM)	X	1	99133154380
4	HEXAGON NUT M10 4032 10 26B1	X	2	90007608001
5	WASHER 10 7092 300HV R642		2	90003100505
6	WISHBONE LOWER	X	1	9913313418D
7	HEX-HEAD SCREW M12X1,5X80		3	9A700867700
8	LOCK NUT M12X1,5 10 26B1		8	99908444501
9	AS WISHBONE UPPER	X	1	9913310478E
10	SLEEVE	X	8	9913315478A
11	HEX-HEAD SCREW M12X1,5X90 10.9		2	9A700820900
12	AS TRAILING ARM UPPER	X	1	9913310618C
13	PAN-HEAD SCREW M12X1,5X 72* 10.9 26B1		4	99907353001
14	AS STEERING TIE ROD RA	X	1	9913310458C
15	SWIVEL HEAD LEFT	X	1	9913312478A
16	SWIVEL HEAD RIGHT	X	1	9913312488A
17	HEXAGON HEAD BOLT AM 6X20 EN1665 10.9 26B1		2	90037810301
18	SPACER SLEEVE 11,5MM STEERING TIE ROD	X	2	9913315678K

5.2 rear axle wishbones



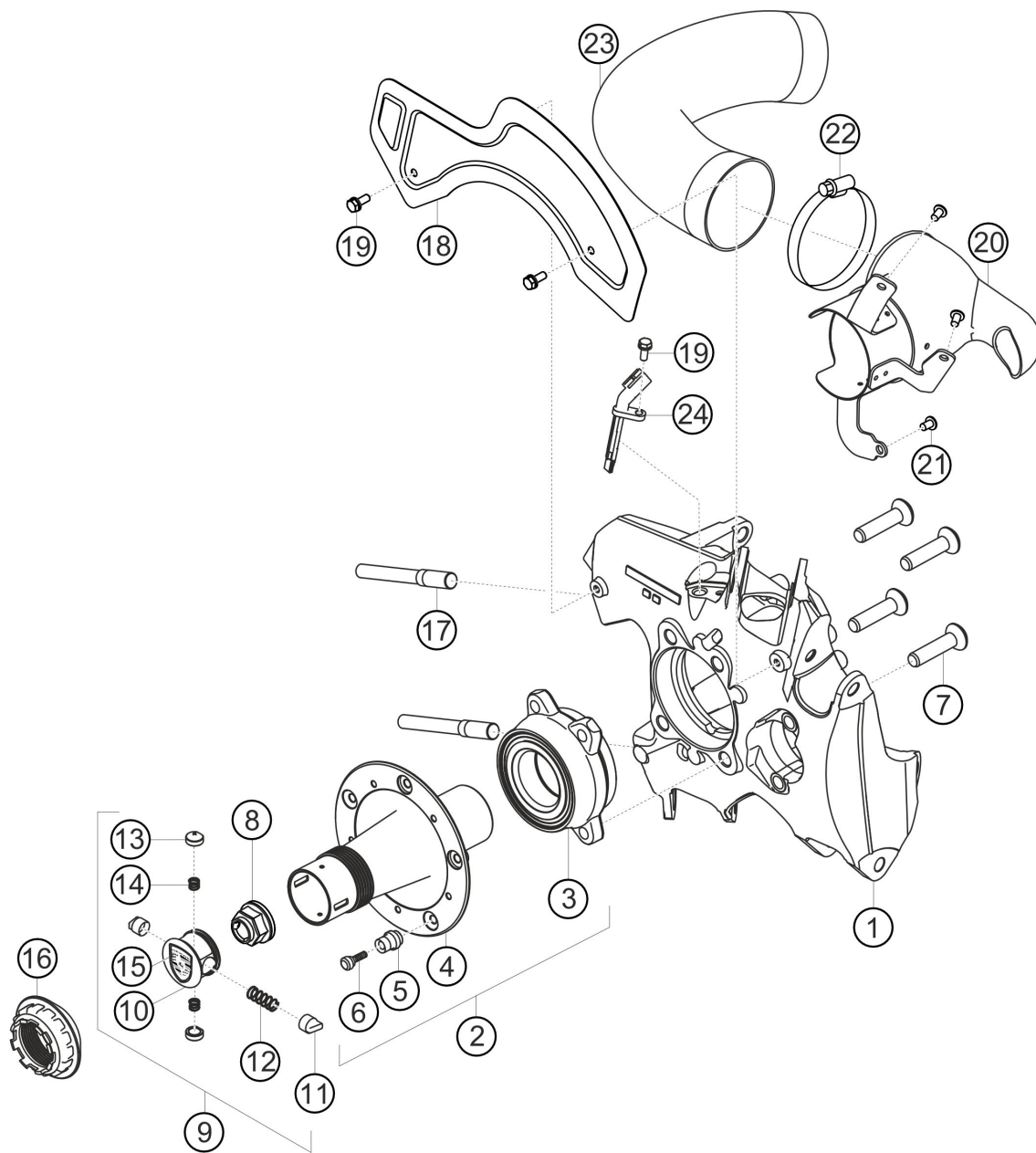
Item no.	Description	M	Pc.	Material
19	SPACER SLEEVE STEERING TIE ROD	X	2	9913315678E
20	STUD BOLT M12X1,5X75 10.9	X	1	99906105901
21	AS TRAILING ARM LOWER	X	1	9913310438E
22	FIXTURE TRAILING ARM LEFT	X	1	9913313298A
22	FIXTURE TRAILING ARM RIGHT	X	1	9913313308A
23	STUD M10X1,5		1	99906112401
24	HEXAGON NUT M10 10 26B1		1	99907605301
25	COMBINATION SCREW M10X58 10.9 ZL 26B1		2	99907208301

5.3 rear upright



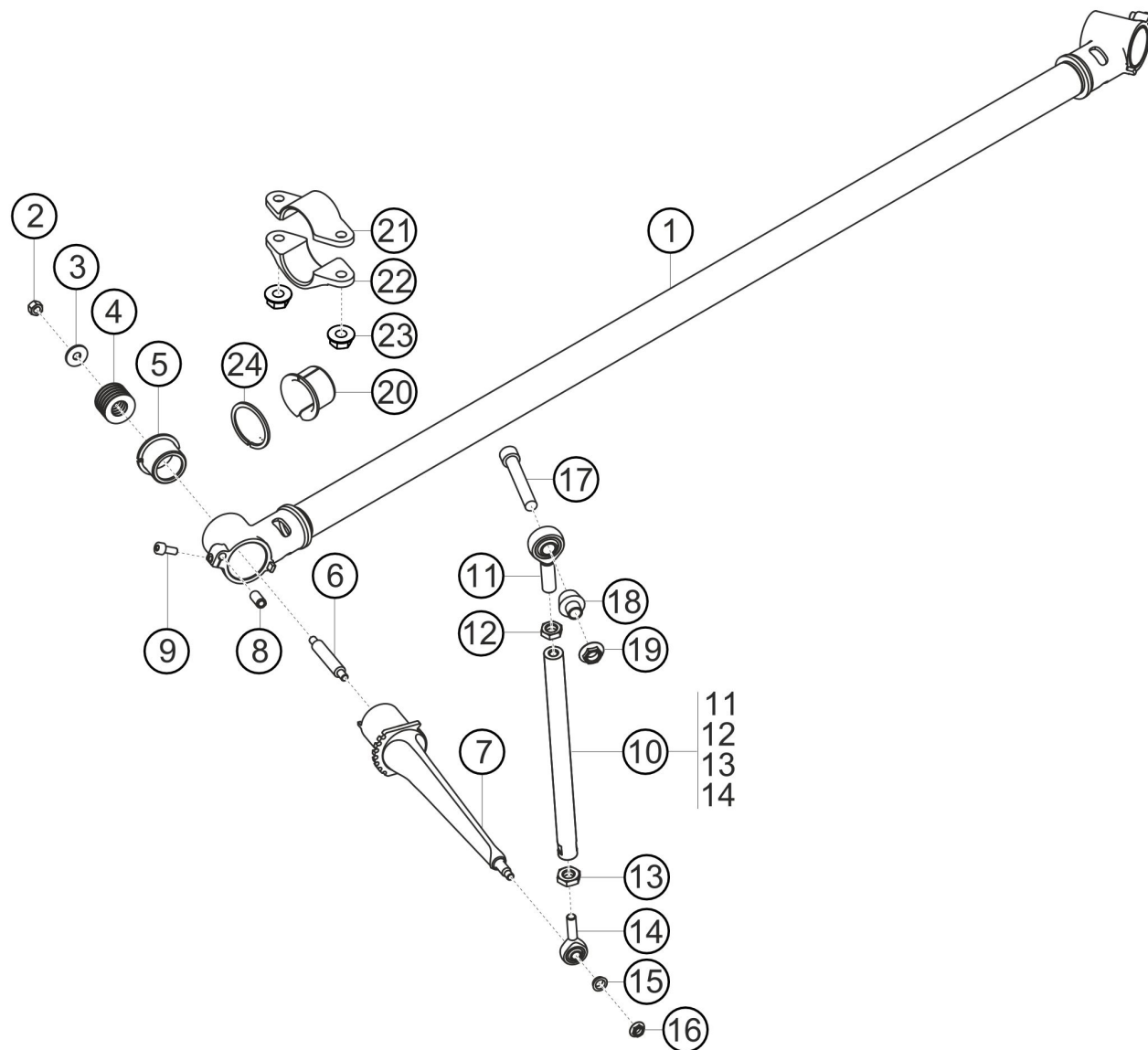
Item no.	Description	M	Pc.	Material
1	WHEEL CARRIER RA LEFT	X	1	9913316118A
1	WHEEL CARRIER RA RIGHT	X	1	9913316128A
2	AS WHEEL HUB LEFT	X	1	9913319678D
2	AS WHEEL HUB RIGHT	X	1	9913319688D
3	ANGULAR BALL BEARING	X	1	7P0501287
4	WHEEL HUB CENTER LOCK LEFT	X	1	9913316078C
4	WHEEL HUB CENTER LOCK RIGHT	X	1	9913316088C
5	DRIVING PIN CENTER LOCK	X	5	9913417058A
6	PAN-HEAD SCREW M8x32 10.9		5	99907354801
7	MULTIPLE-TOOTH SCREW M12X1.25X45		4	WHT004835
8	LOCK NUT M22X1,5 * C45/34CRMO4		1	99908464101
9	SET CENTER LOCK	X	1	9973319519A
10	PLUG LOCKING PIN		1	98034173901
11	LOCKING PIN	X	2	9973417379A
12	COIL SPRING		1	98034174100
13	LOCKING PIN	X	2	99734162590
14	SPRING LOCKING PIN	X	2	99734162790
15	WHEEL TRIM CAP		1	98036130300
16	NUT CENTER LOCK LEFT	X	1	9973313079A
16	NUT CENTER LOCK RIGHT	X	1	9973313089A
17	STUD BOLT M10X1,50 10.9	X	2	99906100302
18	COVER PANEL RA LEFT	X	1	9913528018A
18	COVER PANEL RA RIGHT	X	1	9913528028A

5.3 rear upright



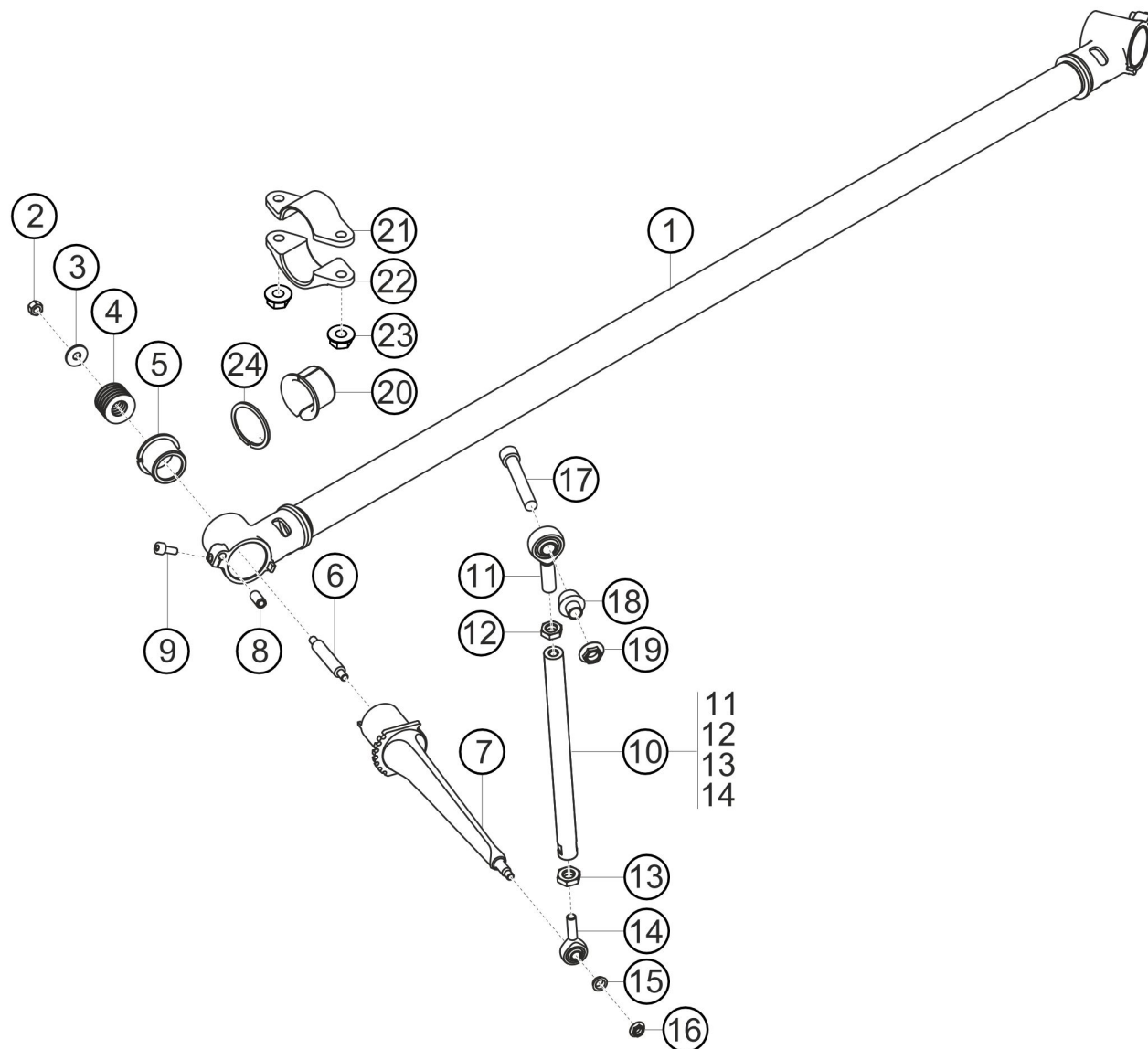
Item no.	Description	M	Pc.	Material
19	HEXAGON-HEAD BOLT M6X16 I10644 8.8-S1-N-MK*		2	99921711601
20	AS BRAKE-AIR SCOOP WHEEL CARRIER RA RIGHT	X	1	9915753348A
20	AS BRAKE-AIR SCOOP WHEEL CARRIER RA LEFT	X	1	9915753338A
21	LENS.-HD. SCREW M6X12 10.9 26D1		3	99901502509
22	HOSE CLIP A 60-80	X	2	99951273701
23	COOLING AIR HOSE	X	1	9915055738B
24	SPEED SENSOR		1	99160640701

5.4 anti-roll bar rear



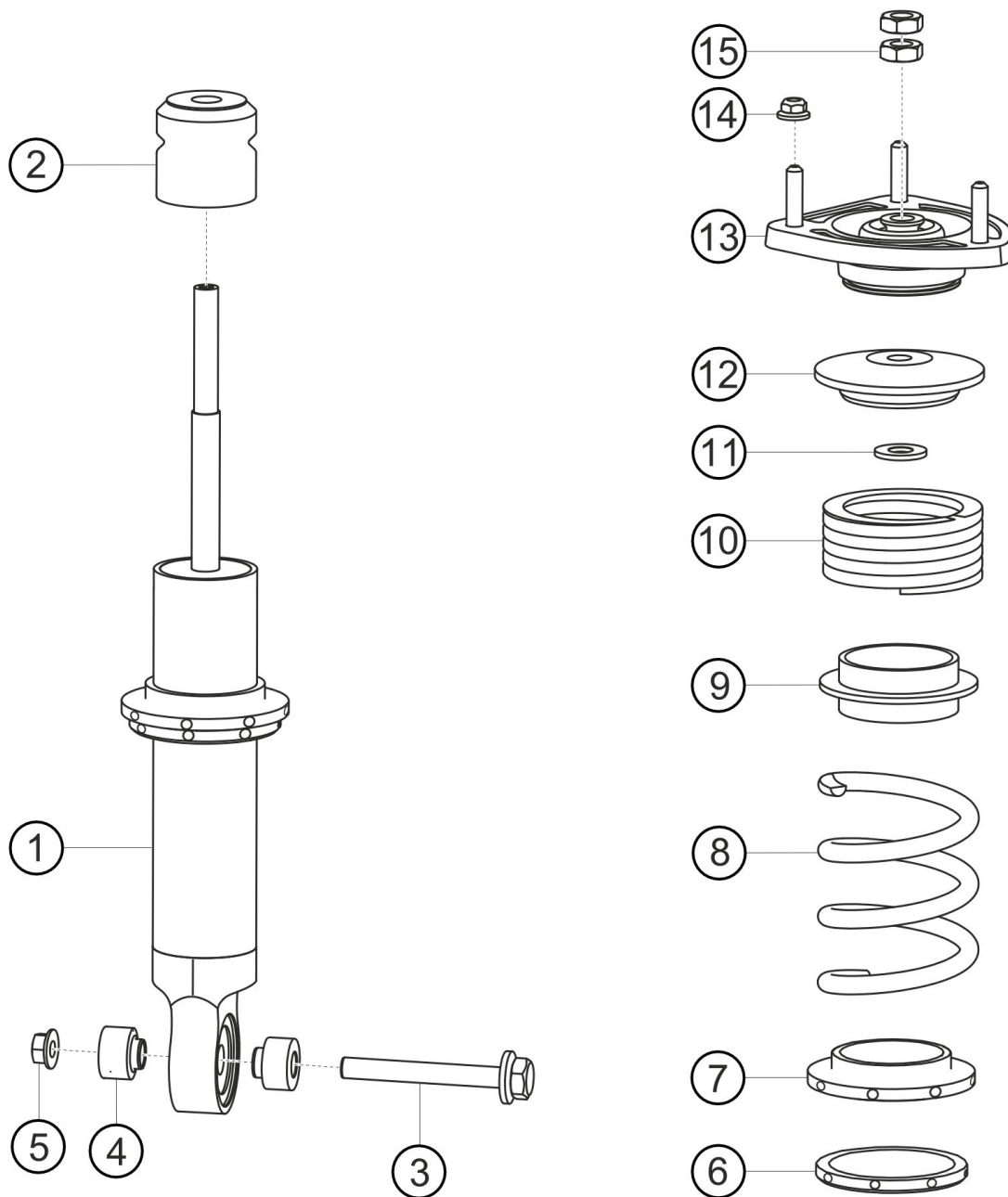
Item no.	Description	M	Pc.	Material
1	AS STABILIZER	X	1	9913331717A
2	LOCKING NUT M 6 I 7042 8 26D1		2	90091004709
3	WASHER 6 *I 7093 200HV 26B0		2	90015100603
4	DISK SPRING C 28 D 2093 51CRV4 B110	X	22	90022202501
5	LID BENDING LEVER MOUNTING	X	2	9913437238A
6	THREADED BOLT STABILIZER	X	2	9913437338A
7	BENDING LEVER	X	2	9913437258E
8	STUD BOLT M8X18	X	2	99924200701
9	CYLINDER SCREW M4x10 4762 8.8 C350		2	90006708002
10	AS STABILIZER LINK RA	X	2	9913330708A
11	JOINT ROD HEAD	X	1	99959302000
12	HEX. NUT M8x1,25 KLLN9338 1.7220.3 RIGHT	X	1	90081701801
13	HEX. NUT M8x1,25 KLLN9338 1.7220.3 LEFT	X	1	90081701901
14	SWIVEL HEAD	X	1	9913337228A
15	CONE DISK	X	2	9913435858A
16	HEX. NUT M8 LN9338 1.7220.3		2	90081700202
17	PAN-HEAD SCREW M8X45 I 4762 12.9 26B1		2	90006707302
18	SPACER SLEEVE	X	2	9913315578A
19	HEXAGON NUT M 8 10 26B1		2	99908444701
20	PLAIN BEARING STABILIZER	X	2	9973337929B
21	RA CLAMP STABILIZER UPPER	X	2	9913337778A
22	RA CLAMP STABILIZER LOWER	X	2	9913337788C
23	HEXAGON NUT M8		4	99908445701

5.4 anti-roll bar rear



Item no.	Description	M	Pc.	Material
24	WASHER 2 MM STABILIZER	X	1	9913437618B
24	WASHER 1 MM STABILIZER	X	1	9913437618A

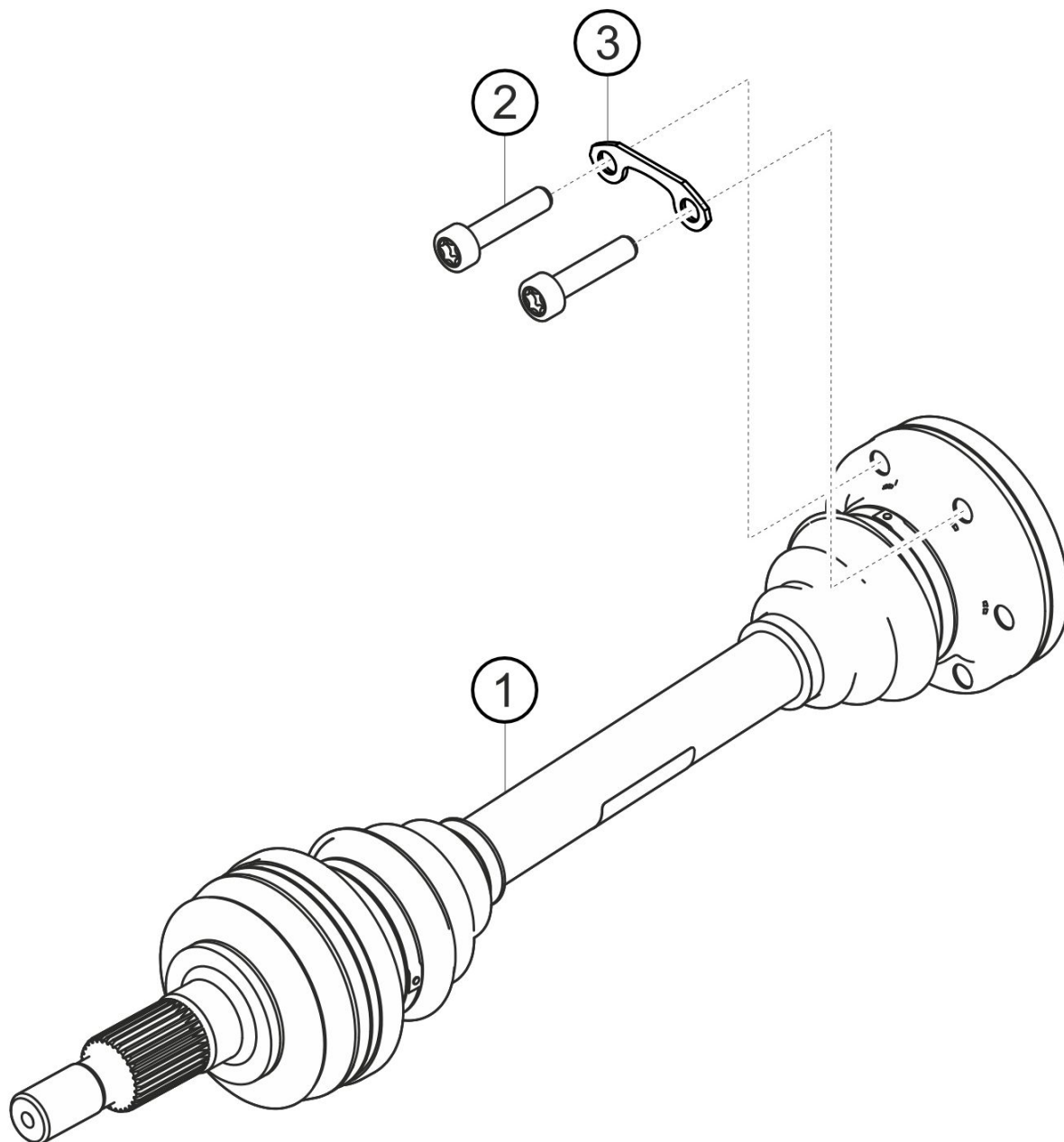
5.5 suspension strut rear



Item no.	Description	M	Pc.	Material
1	AS VIBRATION DAMPER RA	X	1	9913330518A
2	AUXILIARY SPRING	X	1	9913336778A
3	HEX-HEAD SCREW M12X1,5X80		1	9A700867700
4	SLEEVE	X	2	9913335418A
5	HEX. NUT M12x1,5 LN9338 1.7220.3		1	90081700402
6	LOCK NUT STRUT	X	1	99634354790
7	NUT SPRING REST	X	1	99634354990
8	COIL SPRING RA 260-60-130	X	1	9913335318C
9	INTERMEDIATE RING STRUT	X	1	9913435458A
10	AUXILIARY SPRING	X	1	99733353790
11	SPACER RING SUSPENSION STRUT	X	1	9913334688B
12	SPRING REST UPPER	X	1	9913335158A
13	AS SUPPORT BEARING RA	X	1	9913330618C
14	HEXAGON NUT M 8 10 26B1		3	99908444701
15	COUNTERNUT	X	2	9973437859A

5.6 drive shaft

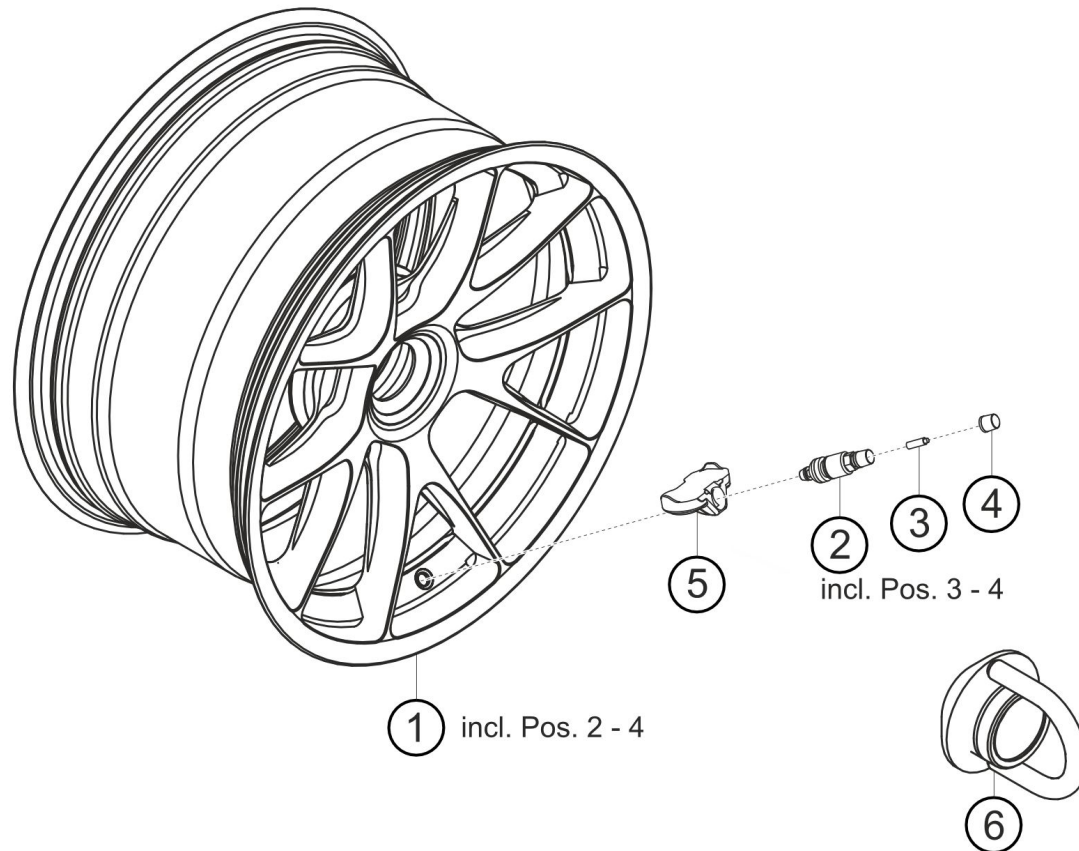
Item no.	Description	M	Pc.	Material
1	DRIVE SHAFT RA	X	2	9913320248L
2	CYLINDER SCREW M10x55 4762 12.9 B110		12	90006708701
3	BACKING PLATE	X	6	7L0501357D



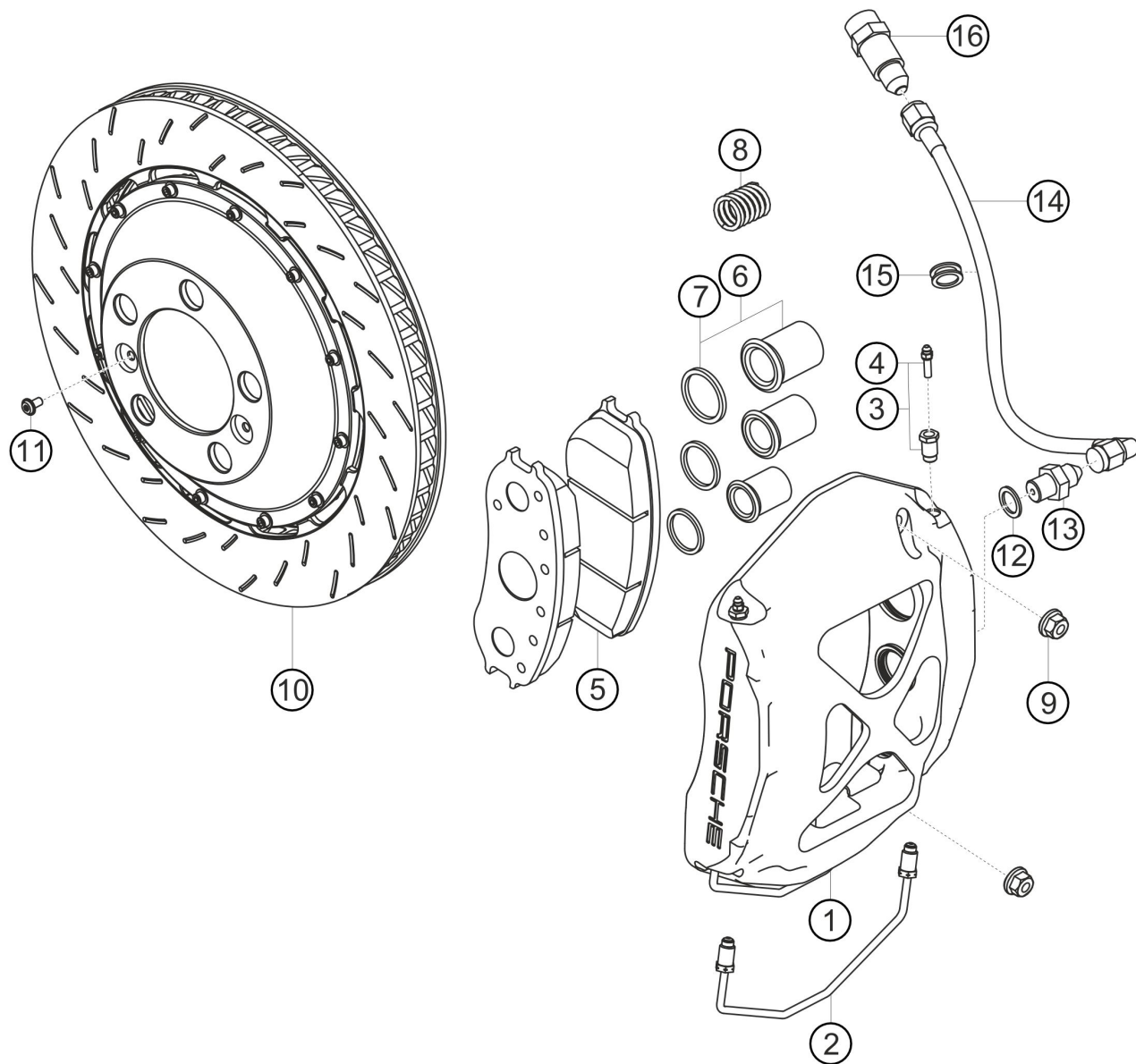
6 rims and brakes

6.1 rims

Item no.	Description	M	Pc.	Material
1	AS WHEEL 10.5JX18"OS28	X	2	9913620918D
1	AS WHEEL 12JX18"OS53	X	2	9913620978D
2	Z VALVE INFLATION CHECK	X	4	9F2601361
3	INSERT VALVE	X	1	9F2601221
4	CAP VALVE	X	1	9F2601259
5	WHEEL ELECTRONICS CUP	X	4	9F0907275A
6	LUG NUT LEFT TRANSPORTATION	X	2	9973616099A
6	LUG NUT RIGHT TRANSPORTATION	X	2	9973616109A

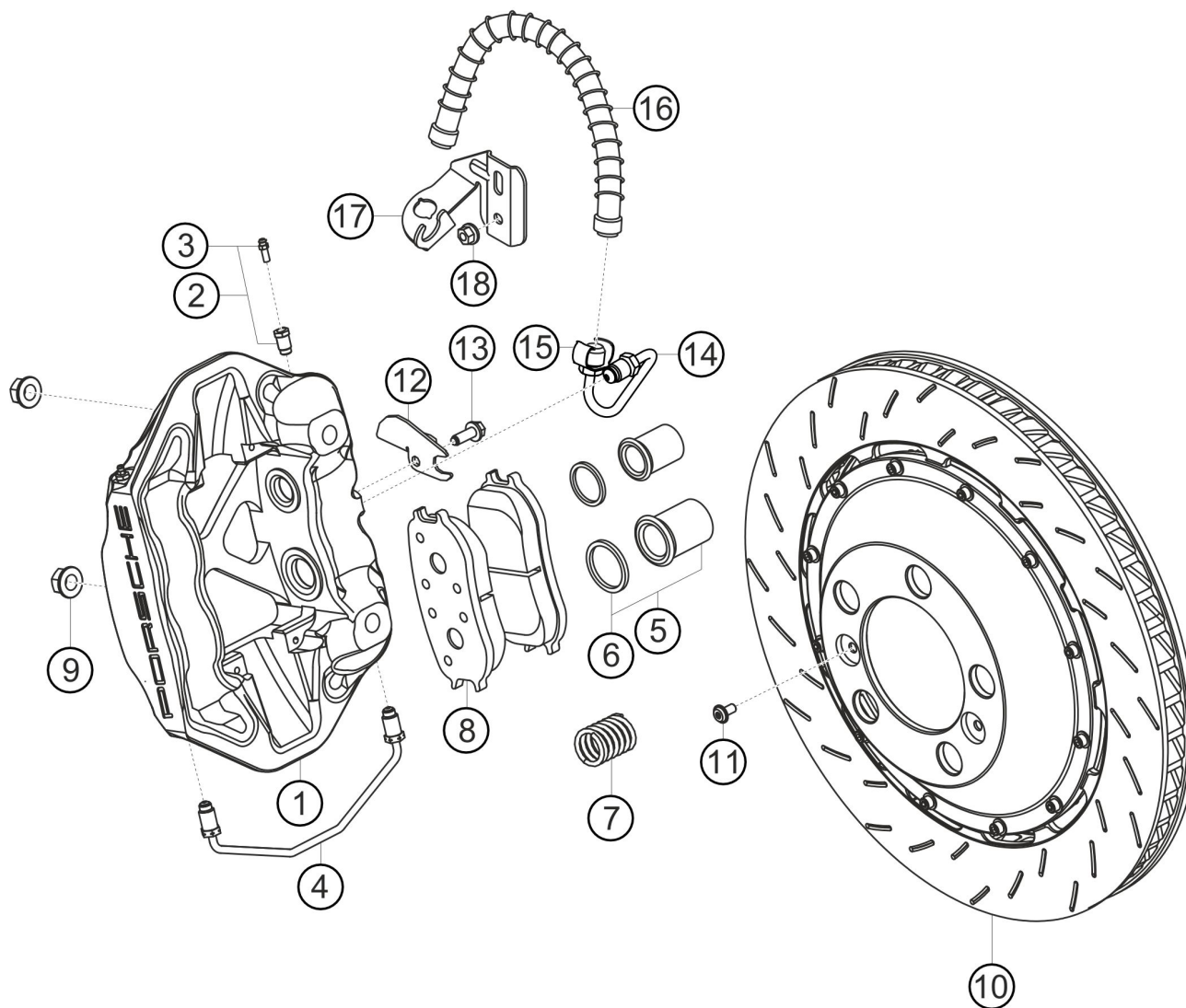


6.2 brake front



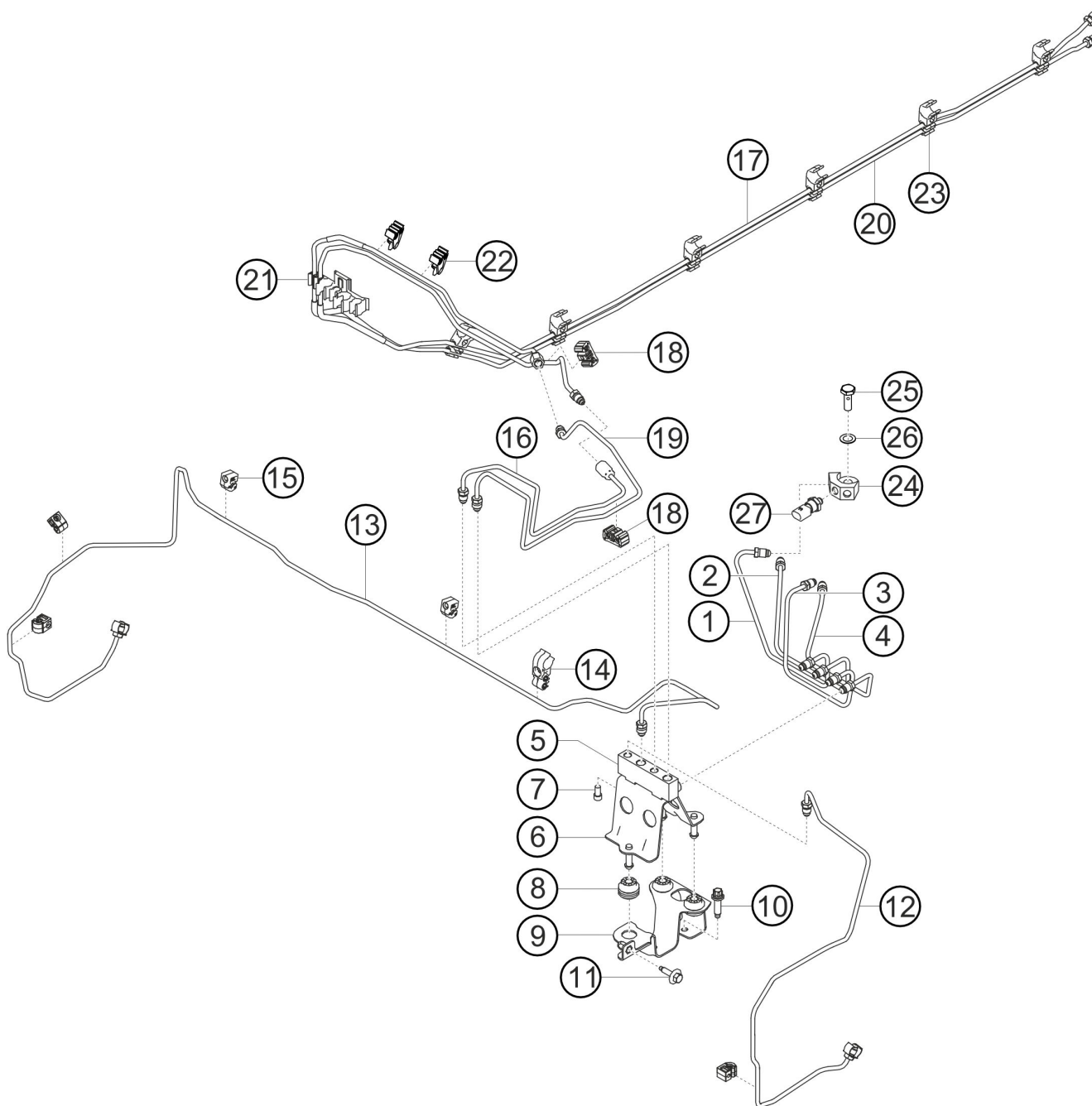
Item no.	Description	M	Pc.	Material
1	FIXED CALIPER FA LEFT	X	1	9913514278A
1	FIXED CALIPER FA RIGHT	X	1	9913514288A
2	CONNECTING LINE BRAKE CALIPER FA	X	1	9913519618A
3	BLEEDER SCREW SET	X	1	9913519198A
4	BLEEDER SCREW	X	1	9913556018A
5	BRAKE PAD FRONT SPRINT VERSION	X	4	9913519428A
6	R-KIT BRAKE PISTON FA	X	1	9913519598A
7	R-KIT BRAKE PISTON SEALING FA	X	1	9913519608A
8	R-KIT ANTI-KNOCKBACK SPRINGS FA	X	1	9913519638A
9	NUT M10	X	2	99907608302
10	AS BRAKE DISK FA LEFT 380X32MM	X	1	9913511058A
10	AS BRAKE DISK FA RIGHT 380X32MM	X	1	9913511068A
11	LENS.-HD. SCREW M6X12 10.9 26D1		2	99901502509
12	SEAL RING 10X14		1	N 0138063
13	ADAPTER 10x1	X	1	99910502602
14	AS BRAIDED STEEL BRAKE LINE	X	1	9913555848A
15	GROMMET 10,0X12,0X1,5	X	1	99970327940
16	ADAPTER BRAKE LINE	X	1	9913556418A

6.3 brake rear



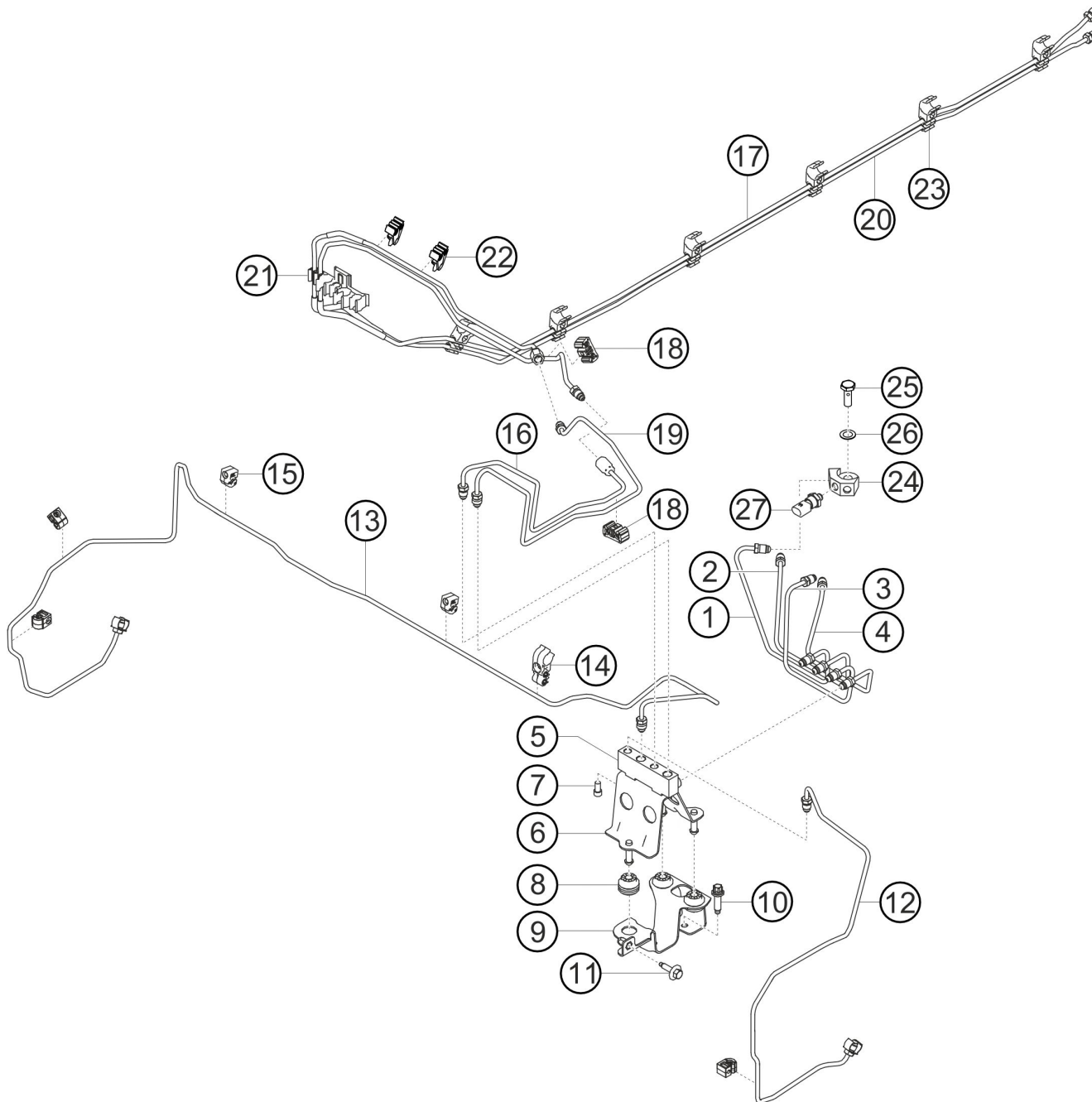
Item no.	Description	M	Pc.	Material
1	FIXED CALIPER RA LEFT	X	1	9913524278A
1	FIXED CALIPER RA RIGHT	X	1	9913524288A
2	BLEEDER SCREW SET	X	1	9913519198A
3	BLEEDER SCREW	X	1	9913556018A
4	CONNECTING LINE	X	1	9913529618A
5	R-KIT BRAKE PISTON RA	X	1	9913529598A
6	R-KIT BRAKE PISTON SEALING RA	X	1	9913529608A
7	R-KIT ANTI-KNOCKBACK SPRINGS RA	X	1	9913529638A
8	BRAKE PAD REAR SPRINT VERSION	X	4	9913529428A
9	NUT M10	X	2	99907608302
10	AS BRAKE DISK RA LEFT 380X30MM	X	1	9913521078A
10	AS BRAKE DISK RA RIGHT 380X30MM	X	1	9913521088A
11	LENS.-HD. SCREW M6X12 10.9 26D1		2	99901502509
12	HOLDER BRAKE HOSE RIGHT	X	1	9913555048A
12	HOLDER BRAKE HOSE LEFT	X	1	9913555038A
13	HEXAGON-HEAD BOLT M6X16 I10644 8.8-S1-N-MK*		2	99921711601
14	AS BRAKE LINE RA LEFT	X	1	9913555858A
14	AS BRAKE LINE RA RIGHT	X	1	9913555868A
15	HOLDING SPRING BRAKE HOSE		1	99735533101
16	Z BRAKE HOSE		1	9Y0611775
17	HOLDER BRAKE HOSE RIGHT	X	1	99135550680
17	HOLDER BRAKE HOSE LEFT	X	1	99135550580
18	PLASTIC NUT		2	99161819900

6.4 brake lines front



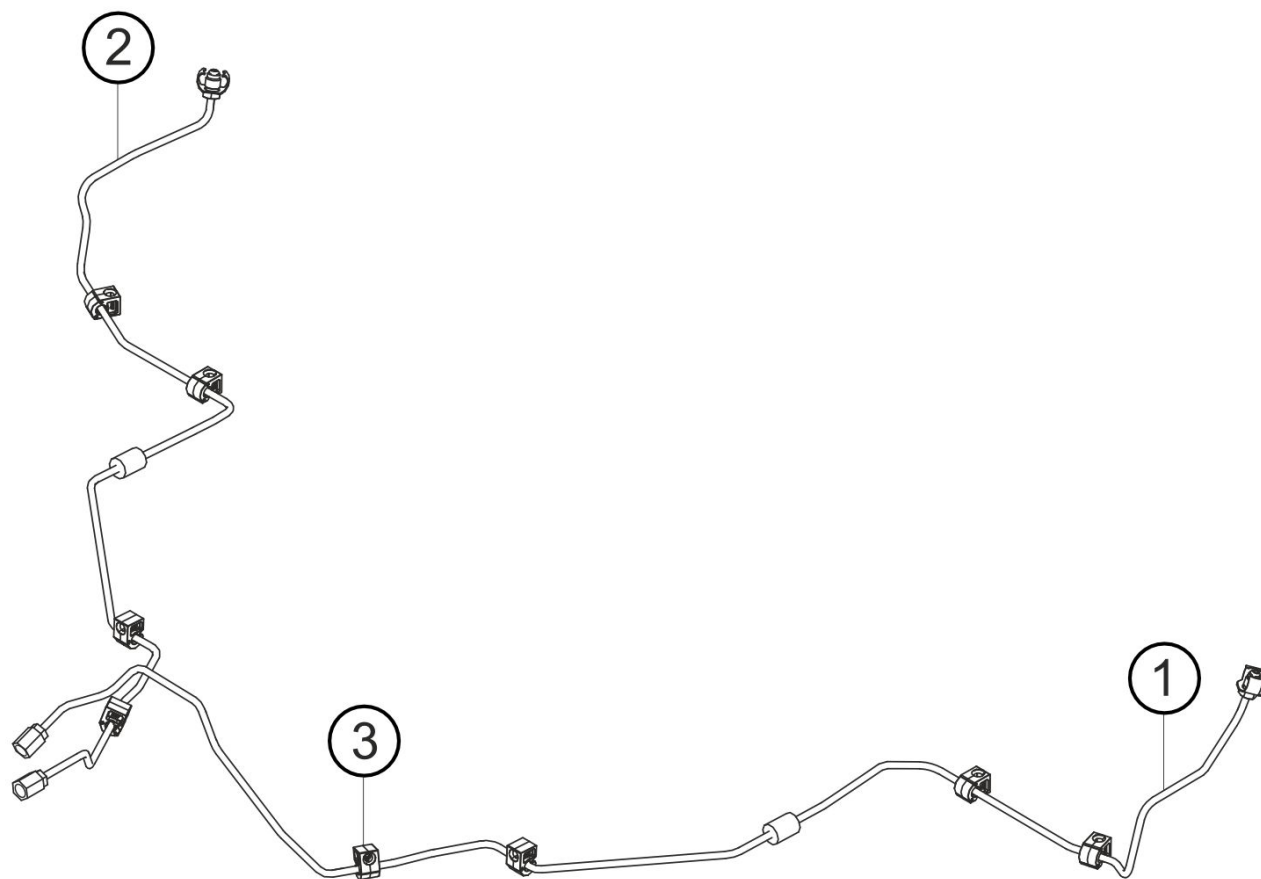
Item no.	Description	M	Pc.	Material
1	AS BRAKE LINE FLH	X	1	9913553278C
2	AS BRAKE LINE FRH	X	1	9913553268A
3	AS BRAKE LINE REAR LEFT	X	1	9913553158A
4	AS BRAKE LINE REAR RIGHT	X	1	9913553168A
5	AS SPACER	X	1	9913556508A
6	HOLDER HYDRAULIC UNIT	X	1	9913551358A
7	PAN-HEAD SCREW M6X12 I 4762 8.8 C343 MK		2	99921801103
8	BUFFER	X	3	7P0614177
9	SUPPORT LOWER PART HYDRAULIC UNIT		1	99135503301
10	COMBINATION SCREW BM8X30		1	9A700843300
11	HEXAGON HEAD BOLT M6X25		1	N 90999502
12	AS BRAKE LINE FA LEFT		1	99135517505
13	AS BRAKE LINE FA RIGHT	X	1	9913551768A
14	HOLDER		1	99135551202
15	BRACKET DRIVE		5	95B611797
16	AS BRAKE LINE RA LEFT FRONT		1	99135531507
17	AS BRAKE LINE RA LEFT REAR		1	99135517783
18	BRACKET		2	8K0611797G
19	AS BRAKE LINE RA RIGHT FRONT		1	99135531612
20	AS BRAKE LINE RA RIGHT REAR		1	99135517982
21	HOLDER SIXTUPLE		1	99135550750
22	SUPPORT		2	99135551002
23	HOLDER		6	99135551202

6.4 brake lines front



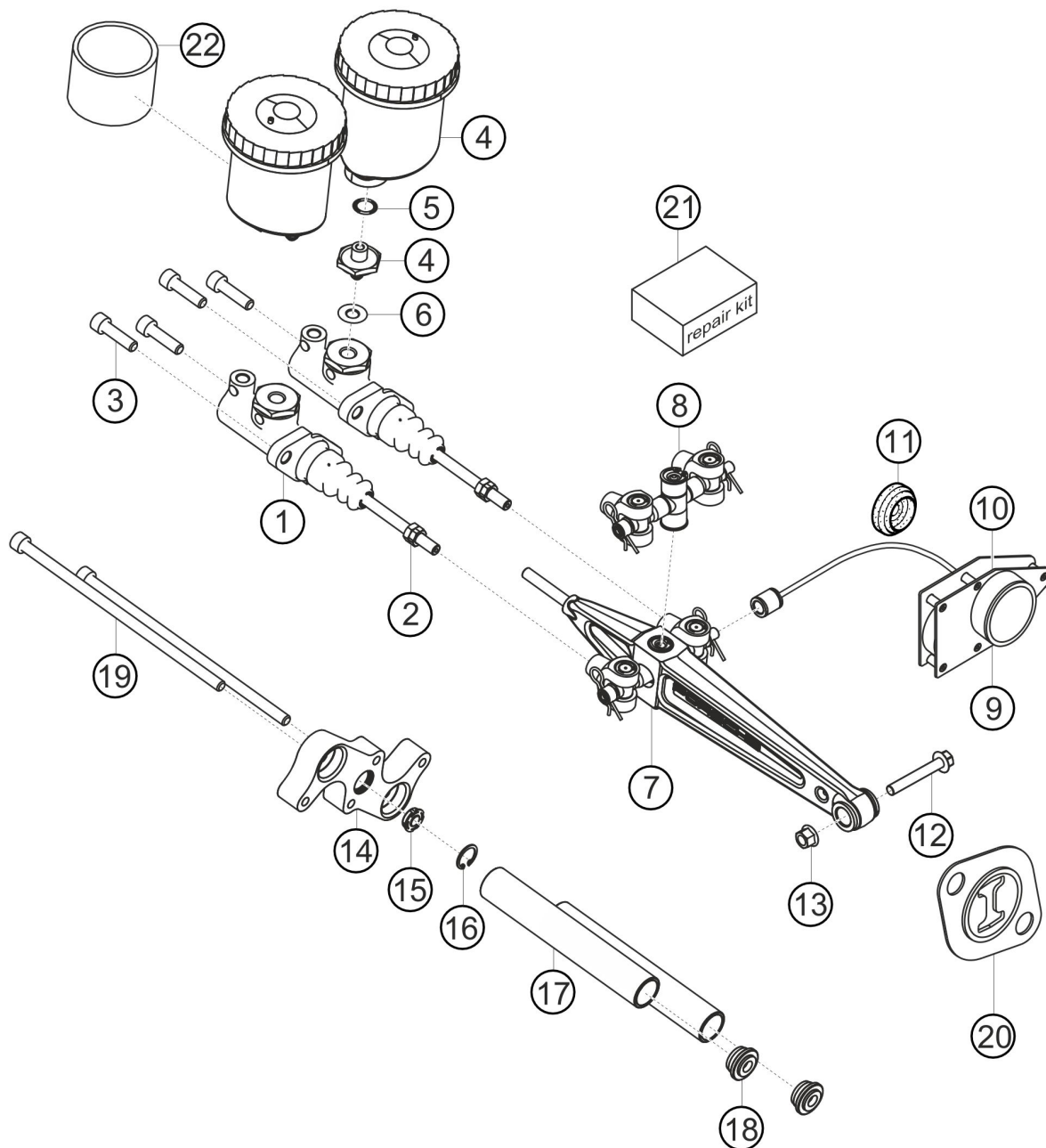
Item no.	Description	M	Pc.	Material
24	DISTRIBUTER PIECE BMC	X	2	9913556578A
25	HOLLOW SCREW	X	2	9913555618C
26	SEALING-RING 10X13,5		4	90012303320
27	PRESSURE SENSOR BRAKE PRESSURE	X	2	9916062037A

6.5 brake lines rear



Item no.	Description	M	Pc.	Material
1	AS BRAKE LINE RA LEFT REAR		1	99135518981
2	AS BRAKE LINE RA RIGHT REAR		1	99135519006
3	BRACKET DRIVE		8	95B611797

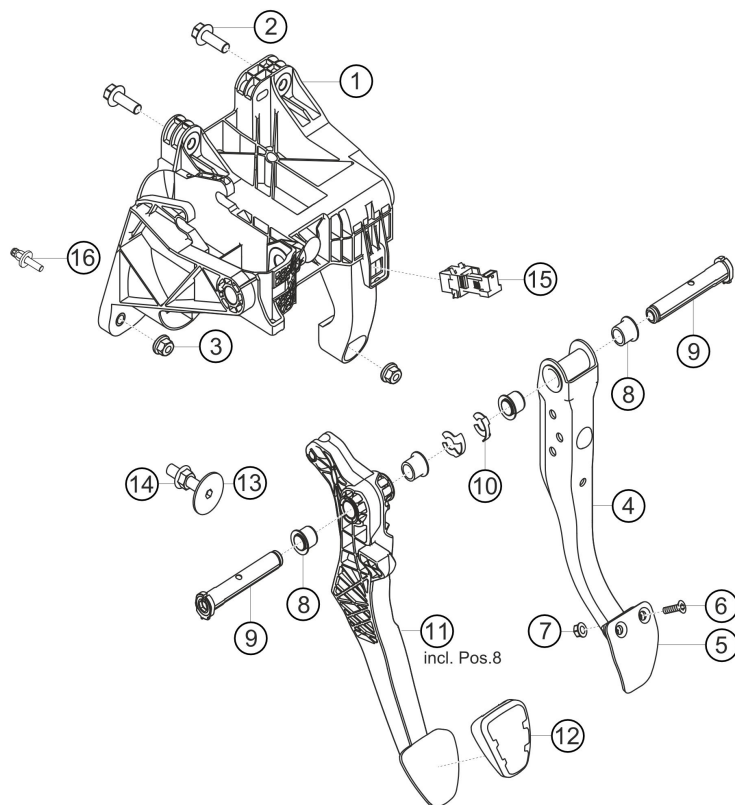
6.6 brake adjustment



Item no.	Description	M	Pc.	Material
1	MASTER BRAKE CYLINDER 17,8 MM	X	2	9913551708C
1	MASTER BRAKE CYLINDER 17,8MM ABS-VERSION	X	2	9913551708E
2	NUT INCH THREAD	X	4	9963557799A
3	SCREW M8x30 10.9	X	4	99907355301
4	TANK BRAKE FLUID	X	2	9963552119A
5	O-RING 17,17X1,76NPN	X	1	99970766840
6	SEALING RING 11,30X17	X	1	99912304220
7	AS PRESSURE ROD BRAKE ACTIVATION	X	1	9914231498A
8	BALANCER LEVER	X	1	9913552398A
9	SET, POTENTIOMETER ADJUST. BRAKE UNIT	X	1	9916418098D
10	POTENTIOMETER BRAKE ADJUSTMENT	X	1	99764181190
11	GROMMET	X	1	9916414518A
12	HEXAGON NUT M8X42 I 4014 10.9 26B1	X	1	90007402901
13	HEXAGON NUT M 8 EN1664 10 26B1		1	90038000501
14	FLANGE BRAKE MASTER CYL.	X	1	9913552458A
15	GUIDE ELEMENT PRESSURE ROD, CLUTCH	X	1	9913553458A
16	LOCK RING 18x1 DIN472 FED-ST B110	X	1	90004201301
17	SPACER SLEEVE BRAKE ACTIVATION	X	2	9913551478A
18	AS GUIDE SLEEVE BRAKE ACTIVATION	X	2	9913551498A
19	SCREW BM8x200x30 10.9	X	2	99907355201
20	AS SEALING BRAKE ACTIVATION	X	1	9913551558A
21	REPAIR KIT MASTER BRAKE CYLINDER 17,8 MM	X	2	9913559038B
22	TRANSPORT PROTECTIONBRAKE- FLUID TANK	X	2	9917213559A

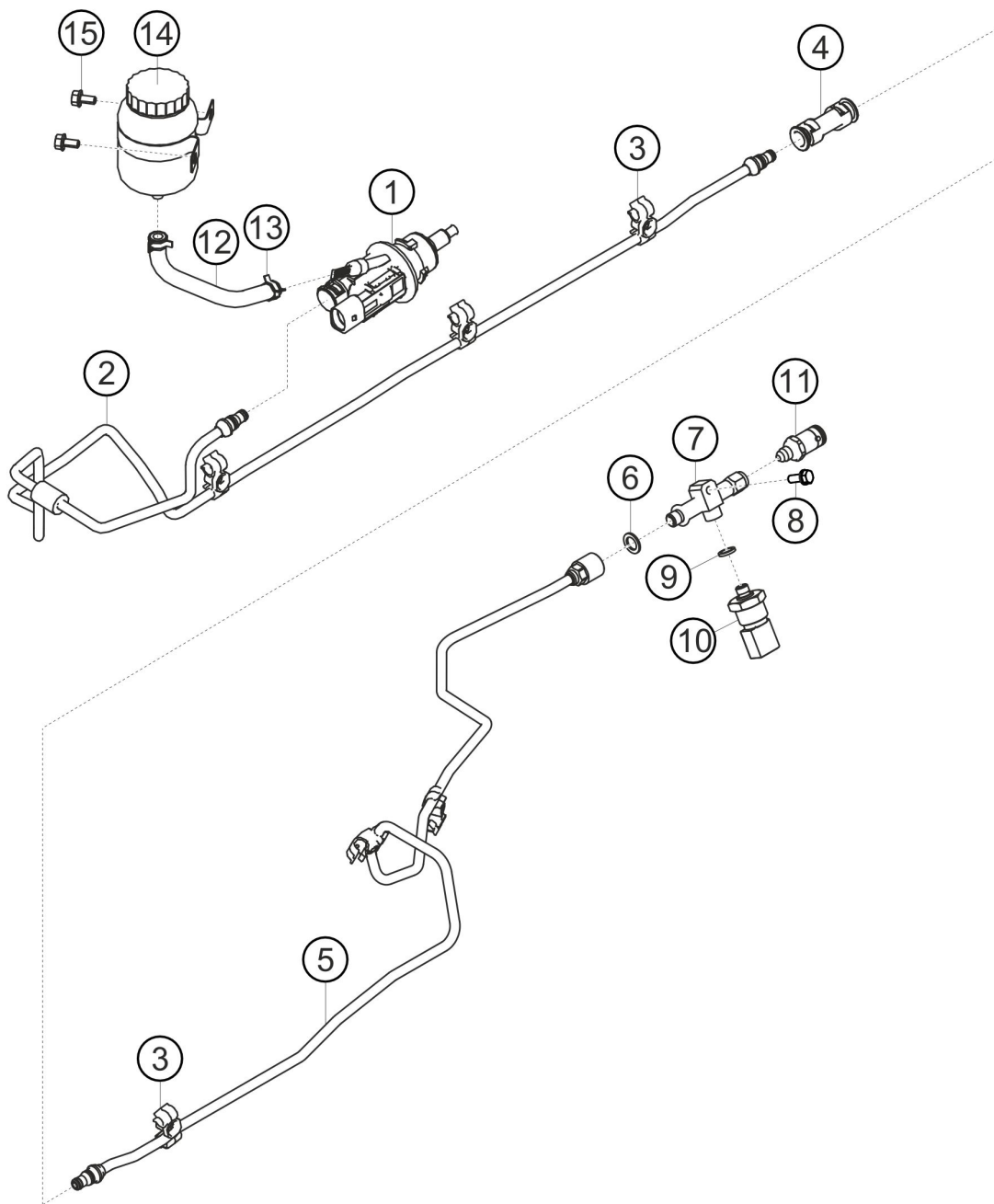
7 pedal system

7.1 pedal system



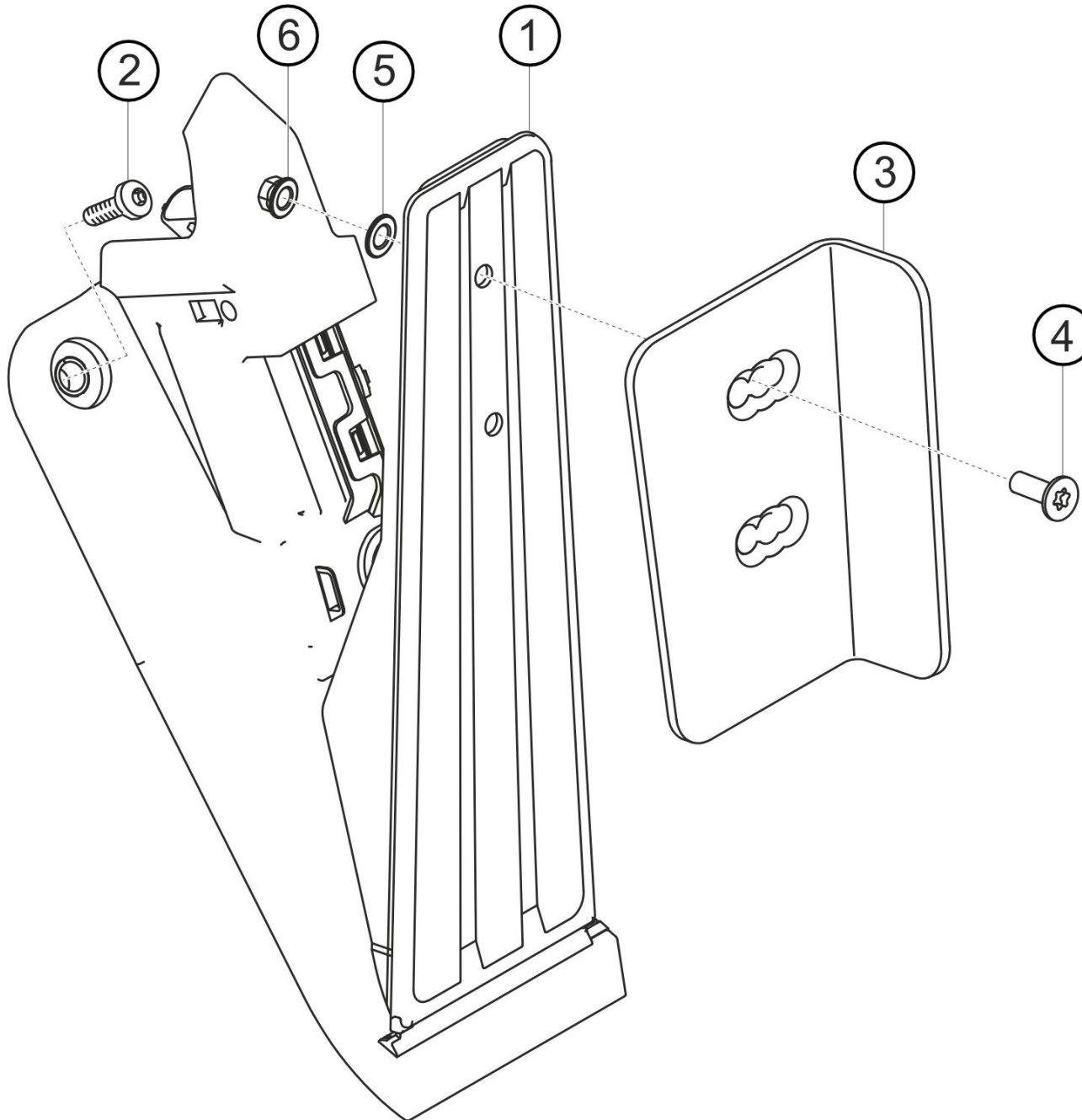
Item no.	Description	M	Pc.	Material
1	PEDAL BRACKET LHD		1	99142306501
2	HEXAGON-HEAD BOLT AM 8X25-PA EN1665 8.8 26B1		2	90037818001
3	NUT M8		2	N 90761103
4	AS BRAKE PEDAL LHD	X	1	9914230418B
5	PLATE BRAKE PEDAL	X	1	9914233418A
6	SREW M6X12	X	2	99907338801
7	HEXAGON BOLT M 6 O. KLLN9338 1.7220.3 *	X	2	90081701301
8	BUSH		4	7PP721113A
9	BEARING PIN		2	99142328300
10	CIRCLIP		2	7PP721431
11	AS CLUTCH PEDAL LHD		1	99142303901
12	PEDAL CAP		1	9P1721173
13	SCREW STOP	X	1	99742358391
14	HEXAGON NUT M10 D 6923 10 26B1		1	90037701101
15	STOP LIGHT SWITCH		1	97060645100
16	FASTENING SCREW M8X26/ C4C R642 *		1	99908007201

7.2 clutch control system



Item no.	Description	M	Pc.	Material
1	CLUTCH MASTER CYLINDER		1	99142317100
2	AS CLUTCH LINE FRONT		1	99142310704
3	HOLDER		7	99142351402
4	SLEEVE		1	99142315300
5	AS CLUTCH LINE REAR	X	1	9914231138B
6	SEALING RING 17,4x11,2x1,7	X	1	99923001620
7	T-FITTING CLUTCH LINE	X	1	9913557607A
8	SCREW FILL. HD. M6X25 8.8 S627		1	999073253A2
9	SEALING RING A 10x16 D 7603 ALMGS11 F32		1	90012306630
10	Z PRESSURE SENSOR	X	1	9F0927207
11	COUPLING DASH4	X	1	99923056330
12	AS FOLLOW-UP LINE	X	1	9914231388A
13	CLAMP 13,9-16,1 W4		2	99951256801
14	FLUID TANK CLUTCH	X	1	96435501900
15	HEX. HEAD SCREW AM6X12 8.8 26B1		1	99907200501

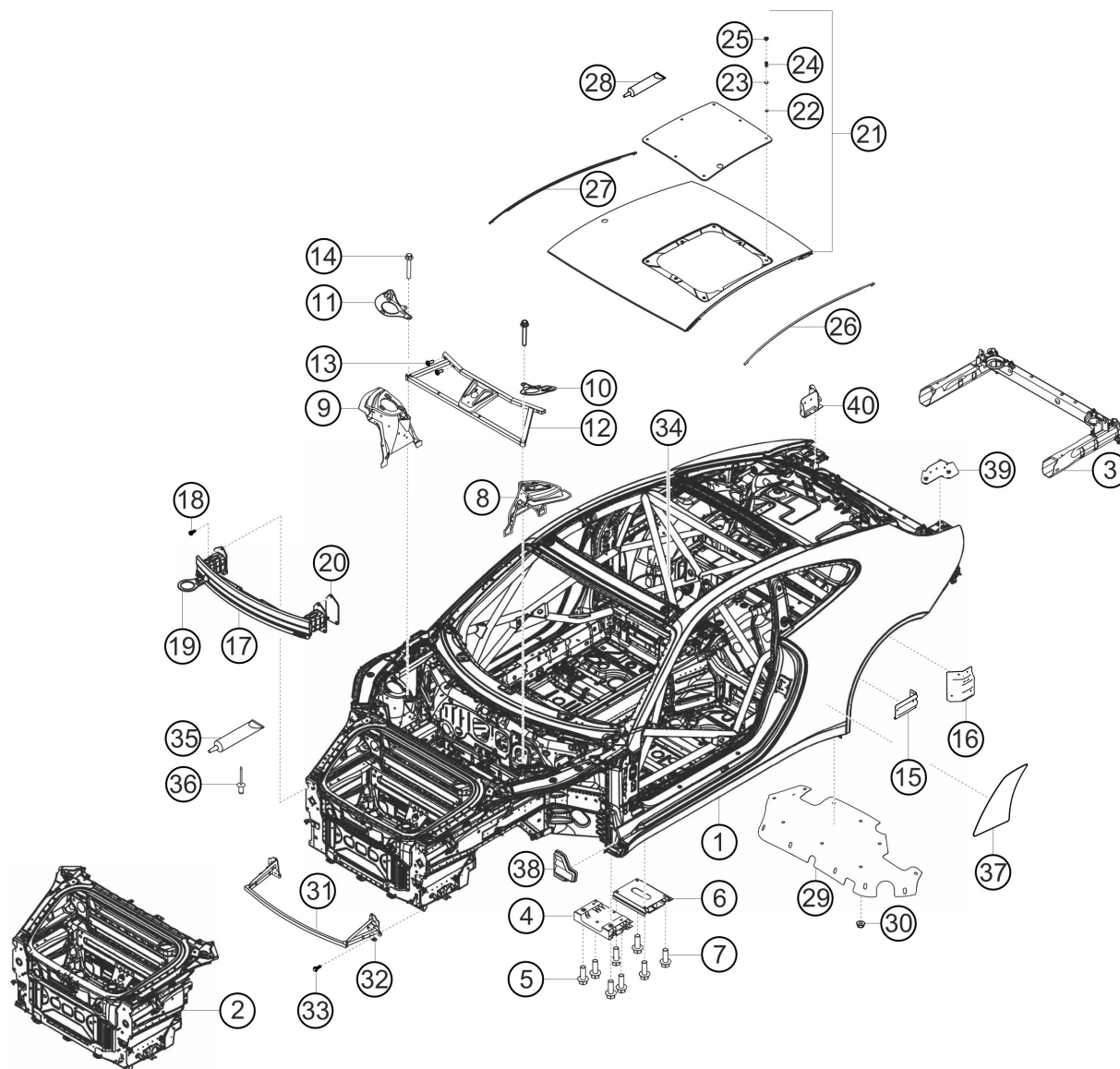
7.3 accelerator pedal



Item no.	Description	M	Pc.	Material
1	AS GAS PEDAL CUP	X	1	9914230198B
2	ROUNDED HEAD SCREW M6X20-PA*114583 8.8 KLR R672		1	99907337805
3	PEDAL PLATE CUP	X	1	9914233198A
4	COUNTERSUNK SCREW M6X20 I14581 8.8 26D1*	X	2	90024930902
5	WASHER 6 *1 7093 200HV 26B0		2	90015100603
6	HEX. NUT M6 LN9338 1.7220.3	X	2	90081700102

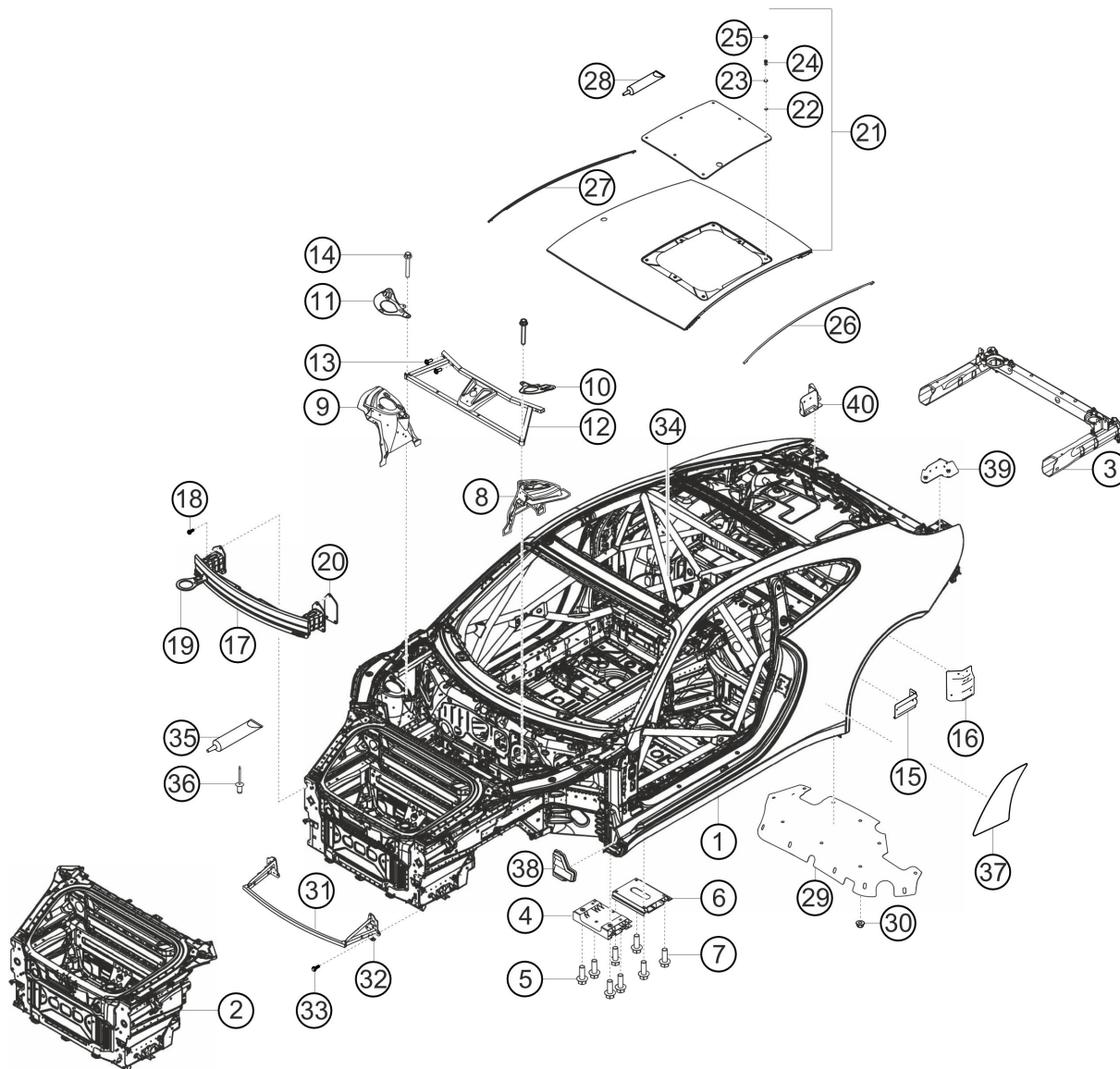
8 body

8.1 body in white



Item no.	Description	M	Pc.	Material
1	SPARE BODYSHELL	X	1	9915000058K
2	AS FRONT END CUP	X	1	9915019918C
3	AS FRAME REAR END	X	1	9915019038A
4	TRANSVERSE CONNECTORTUNNEL		1	99150482300
5	HEXAGON-HEAD BOLT AM10X70 EN1665 10.9 26B1		4	90037825501
6	AS TRANS.CONNECTOR TUNNEL, REAR		1	98150463300
7	HEXAGON HEAD BOLT AM10X40 10.9 26D1		4	99907206302
8	MOUNTING SPRING STRUT PRIME COATED LEFT		1	99150147700GRV
9	MOUNTING SPRING STRUT PRIME COATED RIGHT		1	99150147800GRV
10	AS PLATE STRUT MOUNT LEFT	X	1	9915042838A
11	AS PLATE STRUT MOUNT RIGHT	X	1	9915042848A
12	AS INSTALL.FRAME FRONT	X	1	9915045398A
13	SCREW FILL. HD. M6X20-SC 8.8 26D1		4	99907332202
14	HEXAGON-HEAD BOLT AM8X50-U-WV60429 8.8-S14-L *		2	N 10572802
15	REINFORCEMENT RAIL 3 RIGHT FRONT	X	1	9915803168A
15	REINFORCEMENT RAIL 3 LEFT FRONT	X	1	9915803158A
16	REINFORCEMENT RAIL 3 RECHTS HINTEN	X	1	9915803188A
16	REINFORCEMENT RAIL 3 LEFT REAR	X	1	9915803178A
17	AS SUPPORT BUMPER,FRONT,CPL.	X	1	9915051218E
18	HEXAGON-HEAD BOLT M 8X30-PA EN1665 SC 12.9 26B1		6	90037835101
19	AS TOWING LUG FRONT	X	1	9917226938A
20	SEAL IMPACT ABSORBER		2	99150577100
21	Z ROOF	X	1	9F0817017B C9A

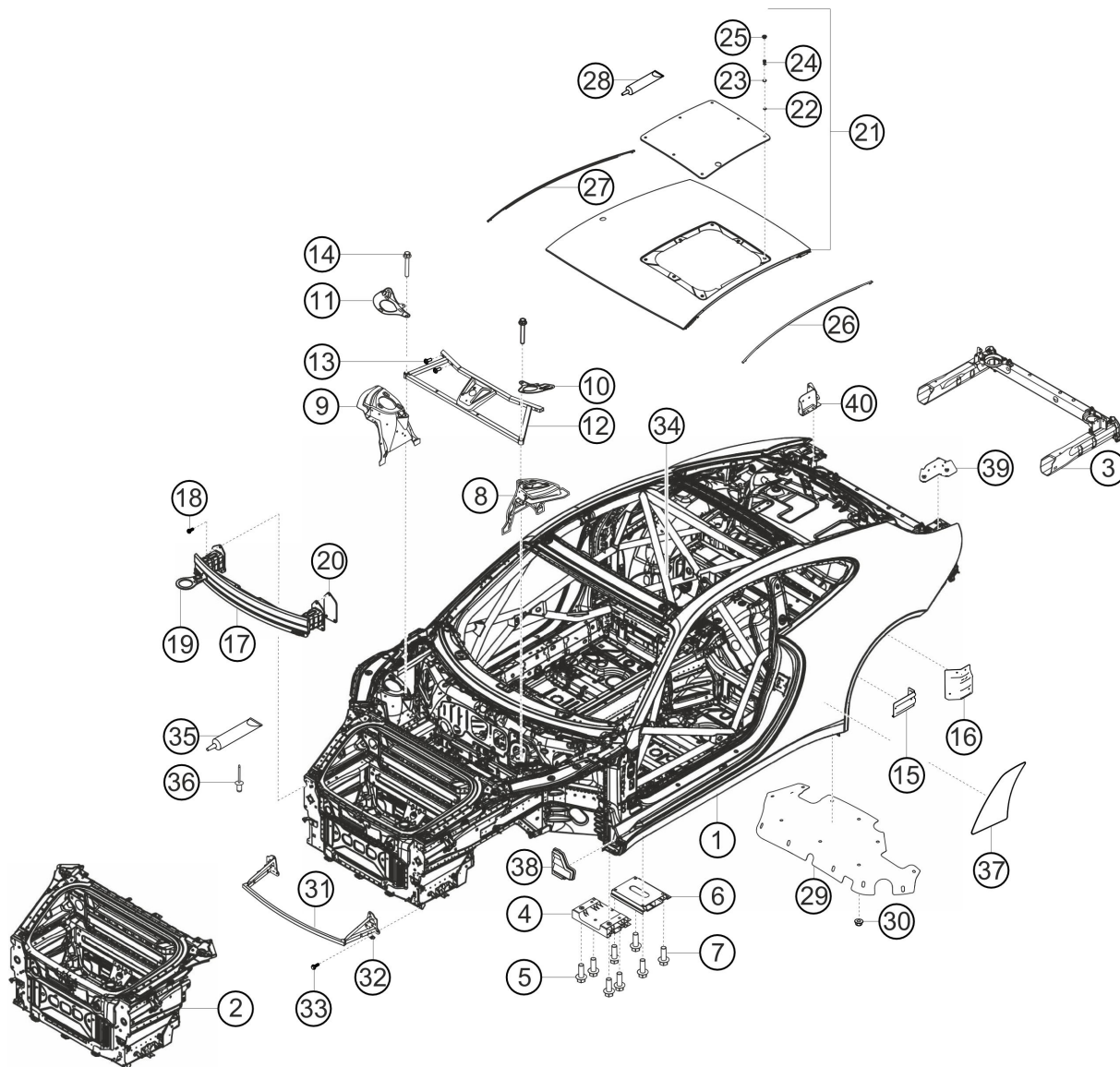
8.1 body in white



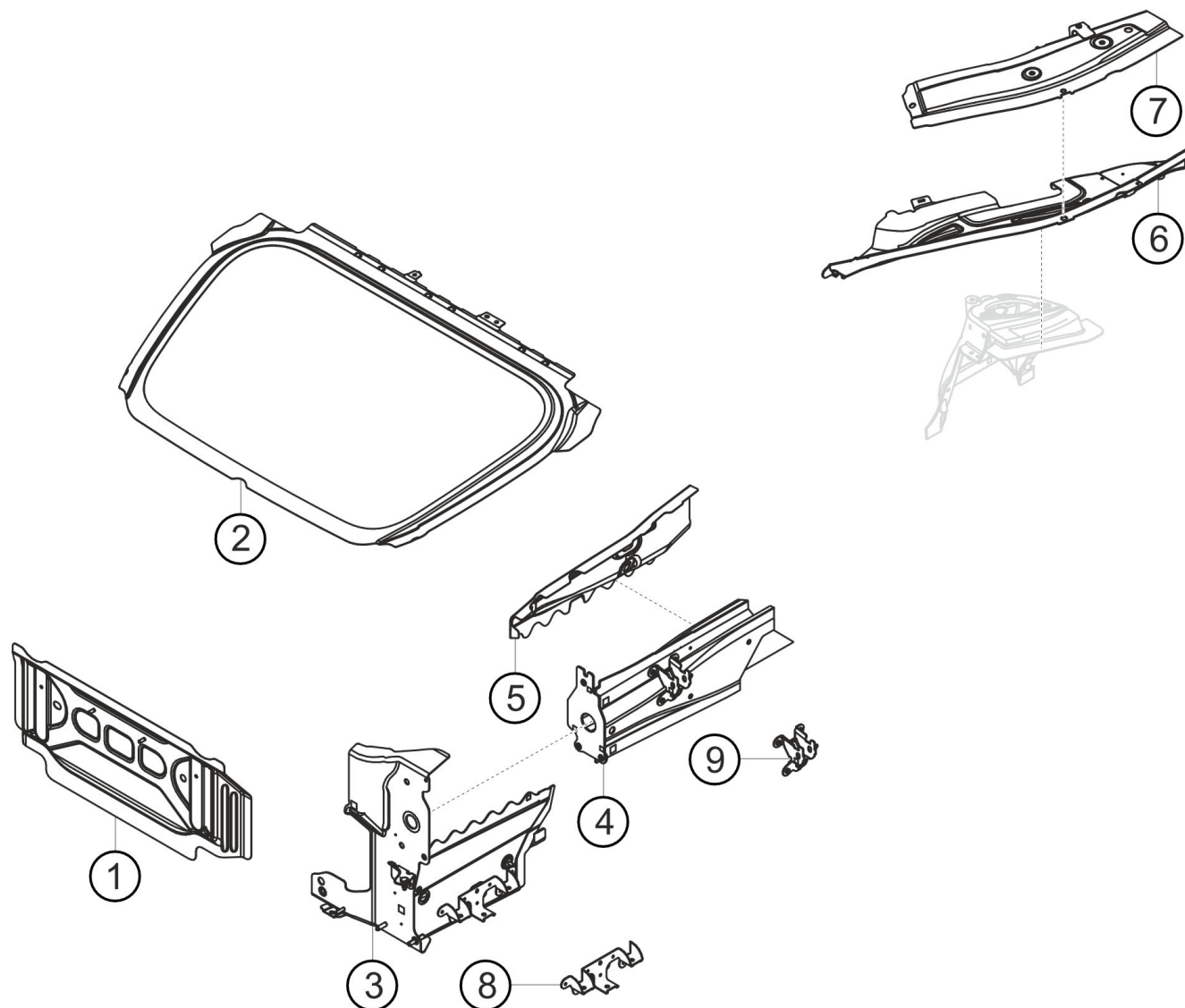
Item no.	Description	M	Pc.	Material
22	LATCH SYSTEM LOCKING WASHER	X	7	9915033159A
23	LATCH SYSTEM LOCKING RING	X	7	9915313187A
24	LATCH SYSTEM BOLT	X	7	9915053747B
25	LATCH SYSTEM SLEEVE	X	7	9915313157B
26	GASKET ROOF LEFT		1	99156690100
27	GASKET ROOF RIGHT		1	99156690200
28	ADHESIVE SET		1	00004330535
29	INSULATION ENGINE BAY	X	1	9915567118B
30	COMBINATION SCREW M6X18-S1		14	N 91133501
31	AS HOLDER PEDESTRIAN PROTECT.		1	99150553180
32	SPEED NUT ST 4,8 * C67S 26M1		2	99950730902
33	HEXAGON NUT M 8 EN1661		6	N 10609204
34	SET,BOLSTER SAFETY CAGE	X	1	9915803718D
35	GLUE	X	40	99991532340
35	Adhesive set		1	00004320629
36	POP RIVET 6,5x12,5		60	99919022701
36	POP RIVET 6,5x14,5		60	99919023001
36	BLIND RIVET		12	99919044300
37	STONEGUARD FILM SIDE SECTION	X	1	9915048368A
37	STONEGUARD FILM SIDE SECTION	X	1	9915048358A
38	AS SPLASH PROTECTION SILL		1	99157231101
38	AS SPLASH PROTECTION SILL		1	99157231201
39	REINFORCEMENT	X	1	9F0813117

8.1 body in white

Item no.	Description	M	Pc.	Material
40	REINFORCEMENT	X	1	9F0813118



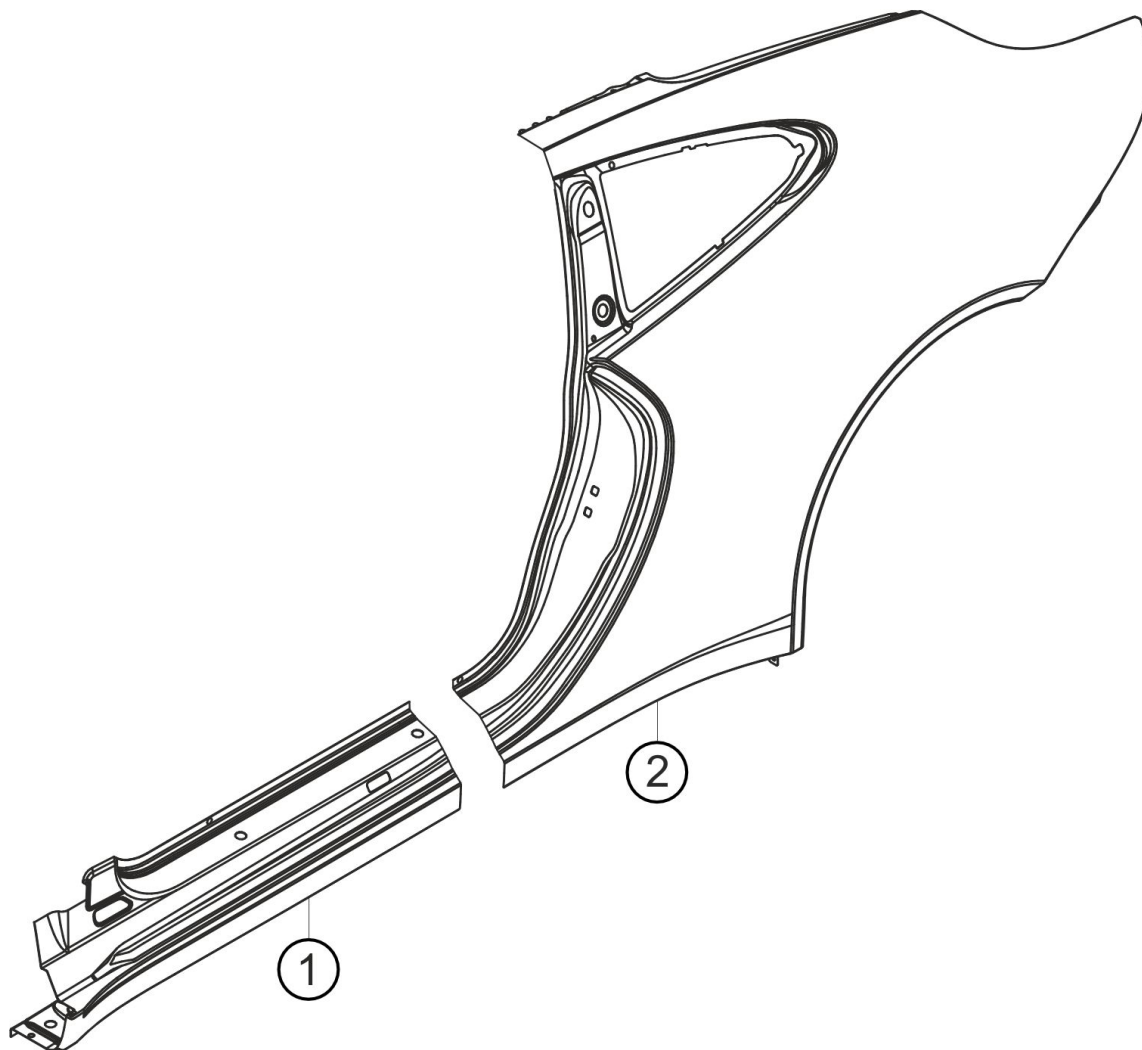
8.2 sheet metal parts front



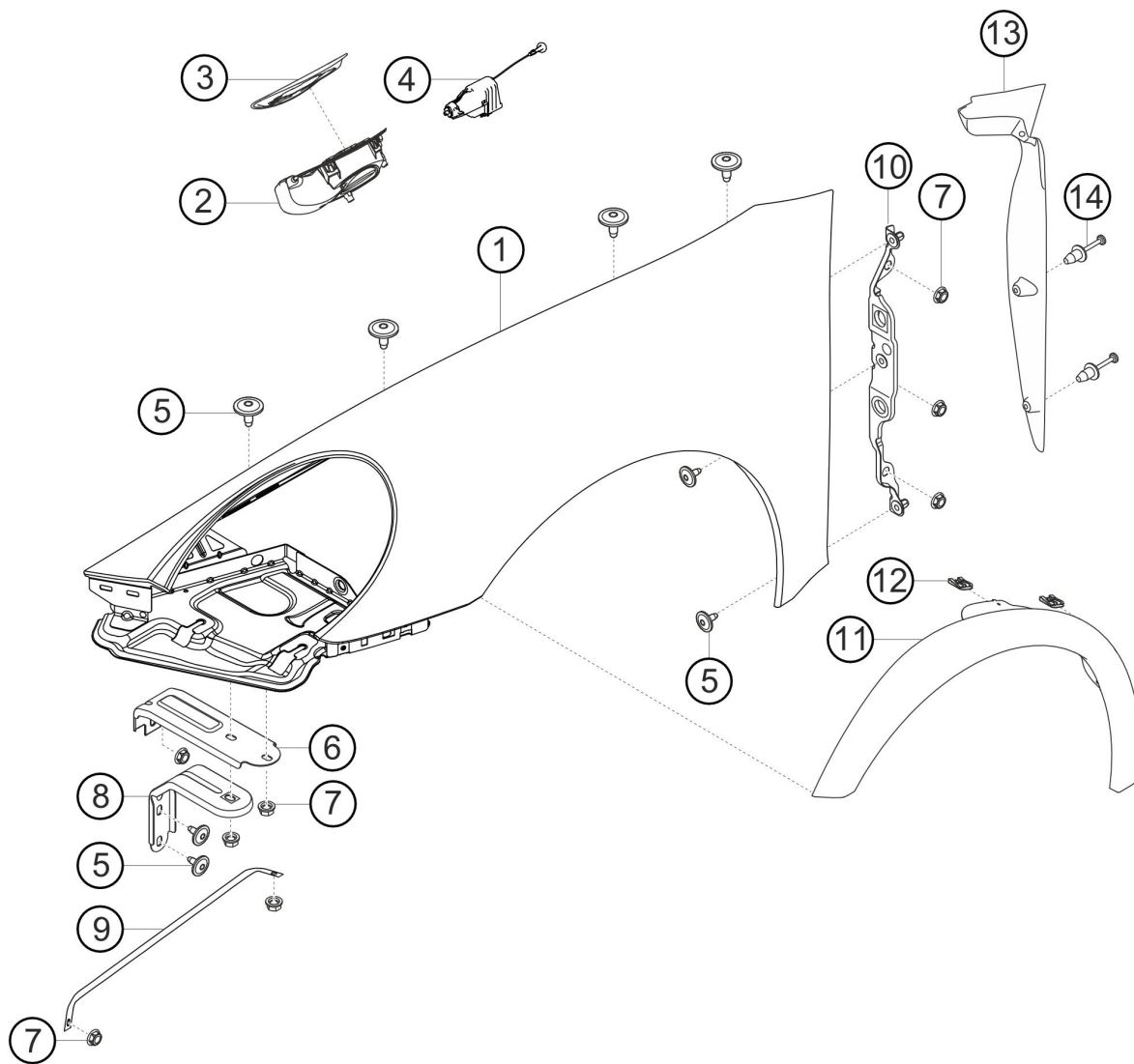
Item no.	Description	M	Pc.	Material
1	TERMINAL PIECE PRIME COATED		1	99150143101GRV
2	SEALING FRAME PRIME COATED		1	99150123102GRV
3	SIDE SECTION LEFT		1	99150191101GRV
3	SIDE SECTION RIGHT		1	99150191201GRV
4	BRACKET LEFT PRIME COATED		1	99150191301GRV
4	BRACKET RIGHT PRIME COATED		1	99150191401GRV
5	WHEEL HOUSING LEFT PRIME COATED		1	99150153501GRV
5	WHEEL HOUSING RIGHT PRIME COATED		1	99150153601GRV
6	SIDE MEMBER UPPER OUTER LEFT		1	99150138700GRV
6	SIDE MEMBER UPPER OUTER RIGHT		1	99150138800GRV
7	SIDE MEMBER UPPER LEFT PRIME COATED		1	99150139700GRV
7	SIDE MEMBER UPPER RIGHT PRIME COATED		1	99150139800GRV
8	HOLDER RADIATOR LOWER	X	1	99150167100
9	HOLDER RADIATOR,UPPER	X	1	99150166301

8.3 sheet metal parts side

Item no.	Description	M	Pc.	Material
1	DOOR SILL LEFT COUPE PRIME COATED		1	99150396302GRV
1	DOOR SILL RIGHT COUPE PRIME COATED		1	99150396402GRV
2	SIDE SECTION OUTER LEFT COUPE		1	99150396102GRV
2	SIDE SECTION OUTER RIGHT COUPE		1	99150396202GRV



8.4 fender



Item no.	Description	M	Pc.	Material
1	FENDER LH	X	1	9915039318AG2X
1	FENDER RH	X	1	9915039328CG2X
2	AS FUEL FILLER CUP	X	1	99150414204
3	FUEL FILLER FLAP PRIME COATED		1	99150303400GRV
4	AS SETTING ELEMENT GAS DOOR		1	99150441403
5	SCREW M6X16		11	N 91042301
6	SUPPORT HEADLAMP HOUSING LEFT		1	99150355700
6	SUPPORT HEADLAMP HOUSING RIGHT		1	99150355800
7	HEXAGON NUT 6KT-MU M 6 10 26B1		8	99907606609
8	CONSOLE HEADLAMP HOUSING		1	99150355500
9	BRACE HEADLAMP HOUSING		1	99150344101
10	AS HOLDER FENDER, CENTER LEFT	X	1	99150234700
10	AS HOLDER FENDER, CENTER RIGHT	X	1	99150234800
11	WHEEL COVER LEFT	X	1	9915034018AG2X
11	WHEEL COVER RIGHT	X	1	9915034028AG2X
12	SPEED NUT ST 4,8 * C67S 26M1		4	99950730902
13	COVER A-PILLAR BLACK LEFT		1	991504641001E0
13	COVER A-PILLAR BLACK RIGHT		1	991504642001E0
14	RIVET 6,0X12,0		2	99959171240

8.5 wheel arch



Item no.	Description	M	Pc.	Material
1	Z WHEEL HOUSING	X	1	9F0809957B
1	Z WHEEL HOUSING	X	1	9F0809958B
2	WHEEL HOUSING,FR CUP	X	1	9F0805147C
2	WHEEL HOUSING,FR CUP	X	1	9F0805148C
3	TAPPING SCREW ST4,8X16-C		4	99907323109
4	SPEED NUT ST 4,8 * C67S 26M1		2	99950730902
5	TAPPING SCREW ST4,8X16-C EINS-ST 26D0		8	99907350501
6	AS FENDER SHIELD LEFT	X	1	9915045038A
6	AS FENDER SHIELD RIGHT	X	1	9915045048A
7	TAPPING SCREW ST4,8X19-C EINS-ST 26D0		4	99907322709
8	PLASTIC NUT T6/22X10,5 PA66 GRAU		4	99904903240
9	AS AIR DEFLECTOR LEFT		1	99157513181
9	AS AIR DEFLECTOR RIGHT		1	99157513281
10	TAPPING SCREW ST4,8X16-C		2	99907323109
11	HOLDER RIDE-HEIGHT LIFT,FA LEFT		1	99134185780
11	HOLDER RIDE-HEIGHT LIFT,FA RIGHT		1	99134185880
12	PLASTIC NUT		2	99161819900
13	SPEED NUT ST 4,8		1	99959185501
14	TAPPING SCREW ST4,8X13-F EINS-ST 26D0		1	99907322809
15	AS FENDER SHIELD LEFT	X	1	9915043058A
15	AS FENDER SHIELD RIGHT	X	1	9915043068A
16	AS FENDER SHIELD	X	1	9915042138A
16	AS FENDER SHIELD	X	1	9915042148A

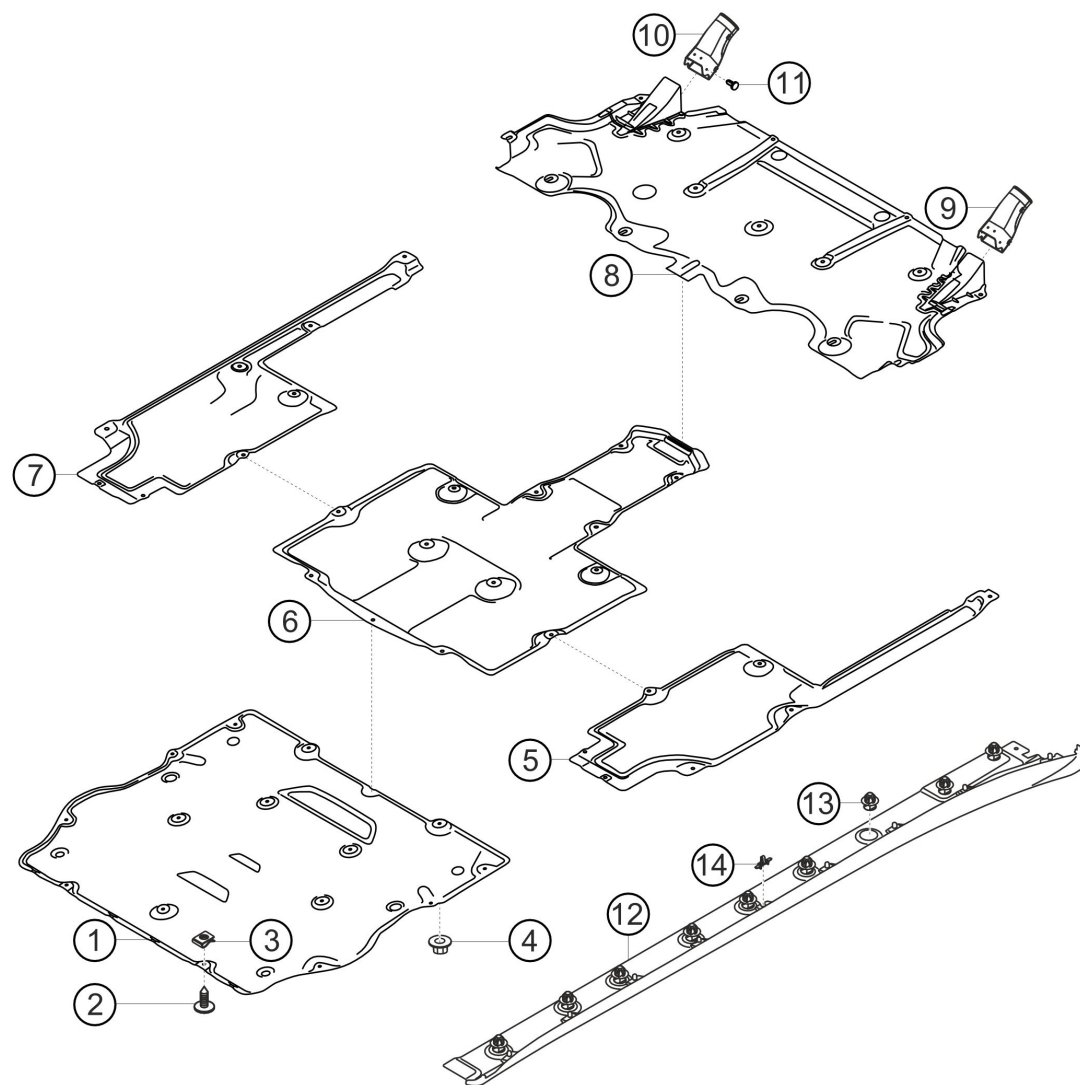
8.5 wheel arch

Item no.	Description	M	Pc.	Material
17	BLIND RIVET NUT	X	1	N 91038901
18	M6X12		2	N 91096601
19	HEX-HEAD NUT M6		1	9A700746200

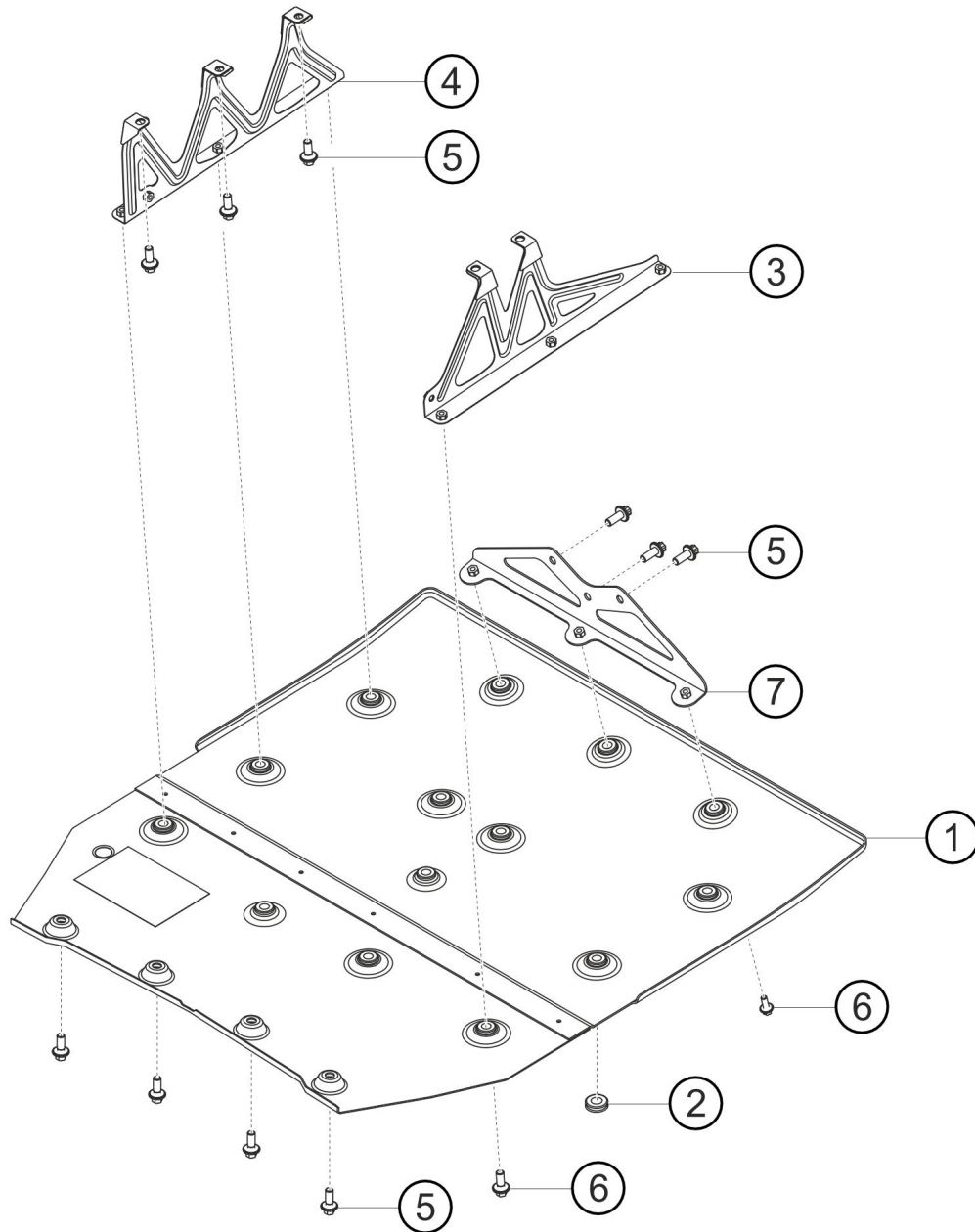


8.6 underbody panelling

Item no.	Description	M	Pc.	Material
1	COVERING FRONT	X	1	9915046018B
2	TAPPING SCREW ST4,8X16-C EINS-ST 26D0		11	99907350501
3	SPEED NUT ST 4,8 * C67S 26M1		11	99950730902
4	PLASTIC NUT T6/22X10,5 PA66 GRAU		26	99904903240
5	UNDERBODY COVERING CENTER LEFT		1	99150460500
6	UNDERBODY COVERING CENTER		1	99150460300
7	UNDERBODY COVERING CENTER RIGHT		1	99150460600
8	UNDERBODY COVERING REAR	X	1	9915046098A
9	BRAKE-AIR DUCT UNDERBODY LEFT RA	X	1	9915754298A
10	BRAKE-AIR DUCT UNDERBODY RIGHT RA	X	1	9915754308A
11	BLIND RIVET A 4,0X8,0		8	99919030130
12	AS SILL COVER LEFT		1	991504595031E0
12	AS SILL COVER RIGHT		1	991504596031E0
13	AS FASTENING SILL TRIM		9	98150459700
14	FIXING CLIP		9	99950798640

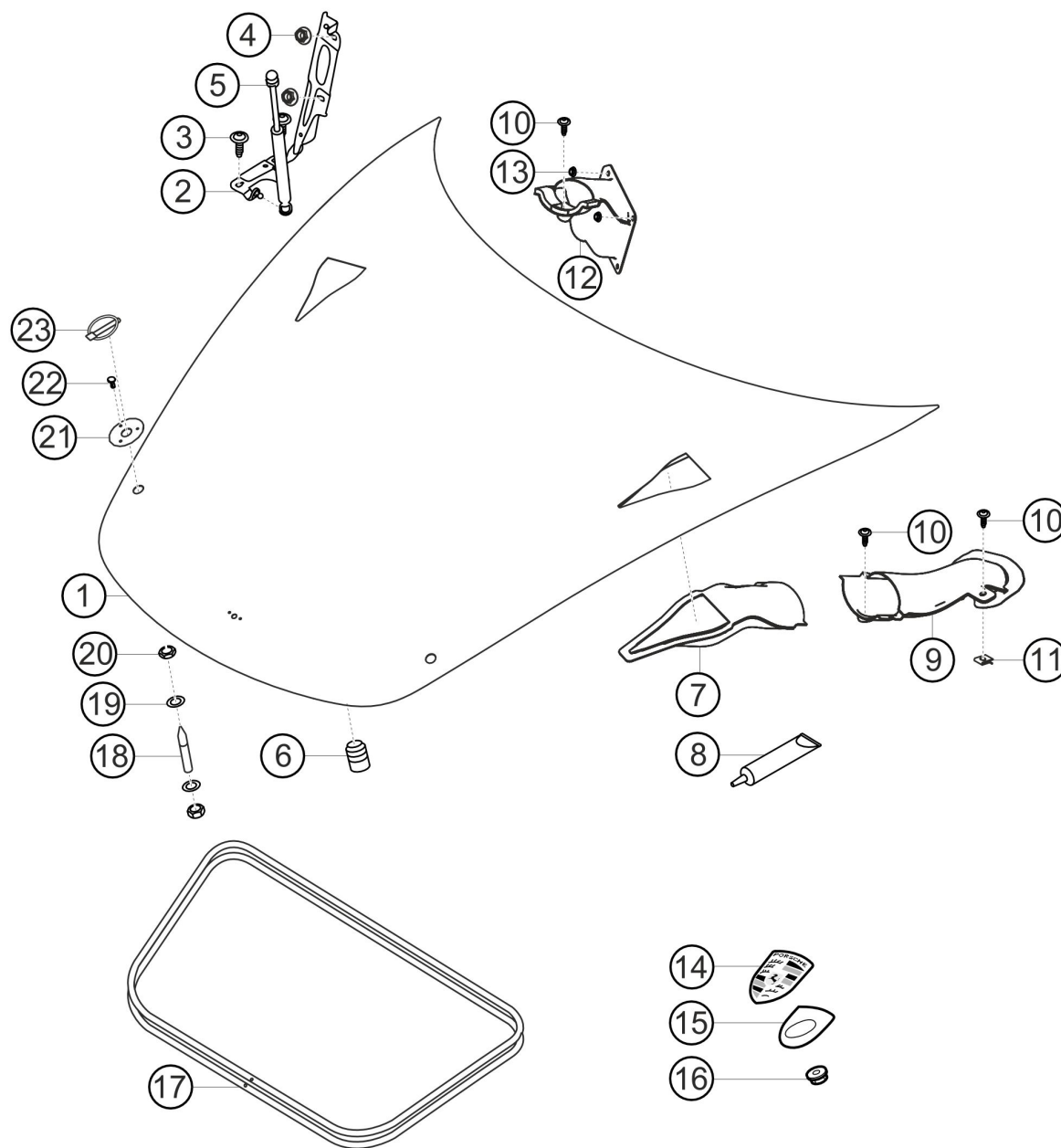


8.7 underbody panelling rear



Item no.	Description	M	Pc.	Material
1	AS UNDERBODY REAR	X	1	9915042579C
2	Grommet		14	99970231941
3	HOLDER UNDERBODY,REAR		1	99150437797
4	HOLDER UNDERBODY,REAR		1	99150437897
5	TORX SCREW BM 8X20		12	90038500102
6	COLLAR SCREW M6X10	X	14	9915043399A
7	HOLDER UNDERBODY ENGINE REAR	X	1	9915043799A

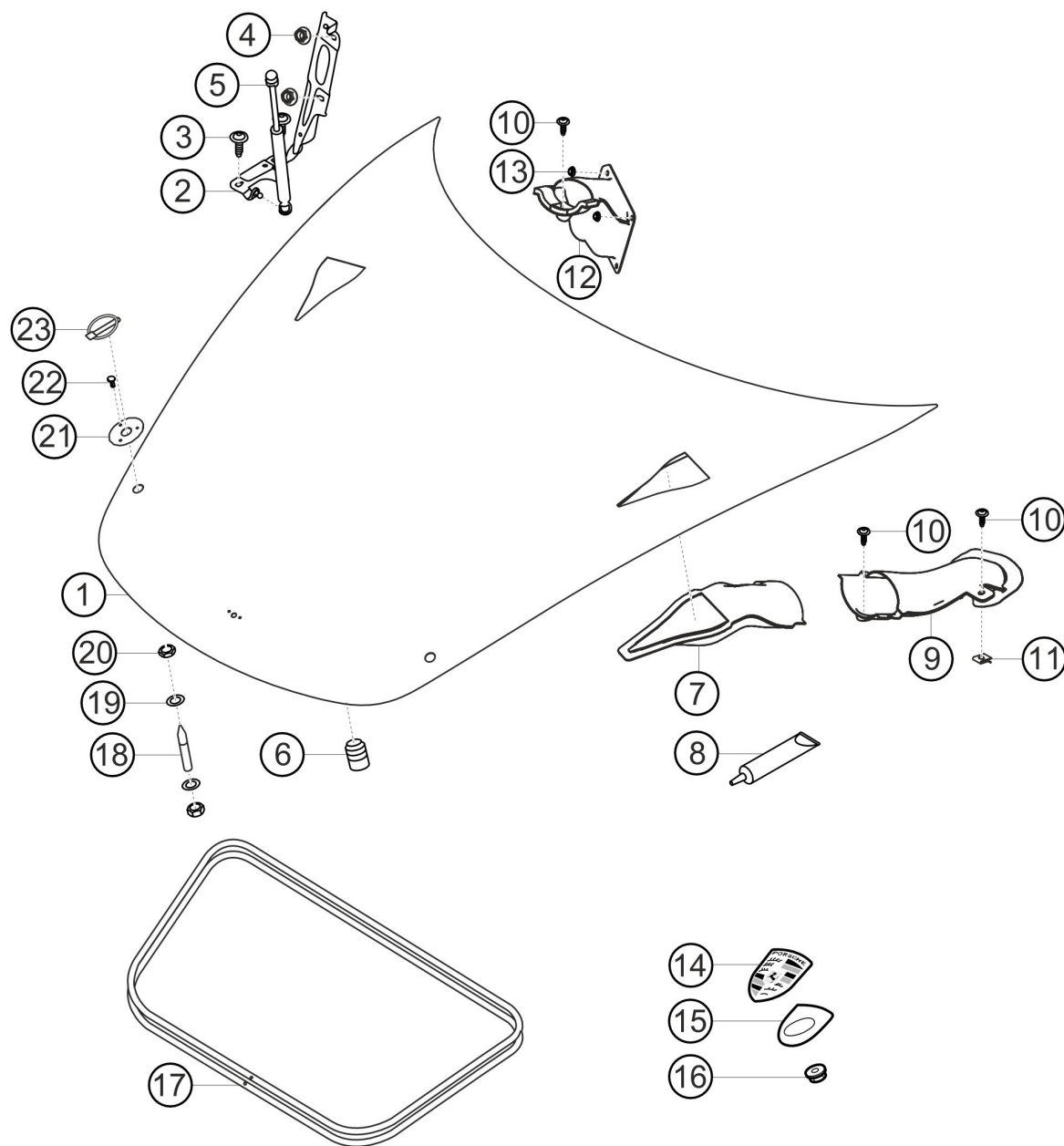
8.8 front cover



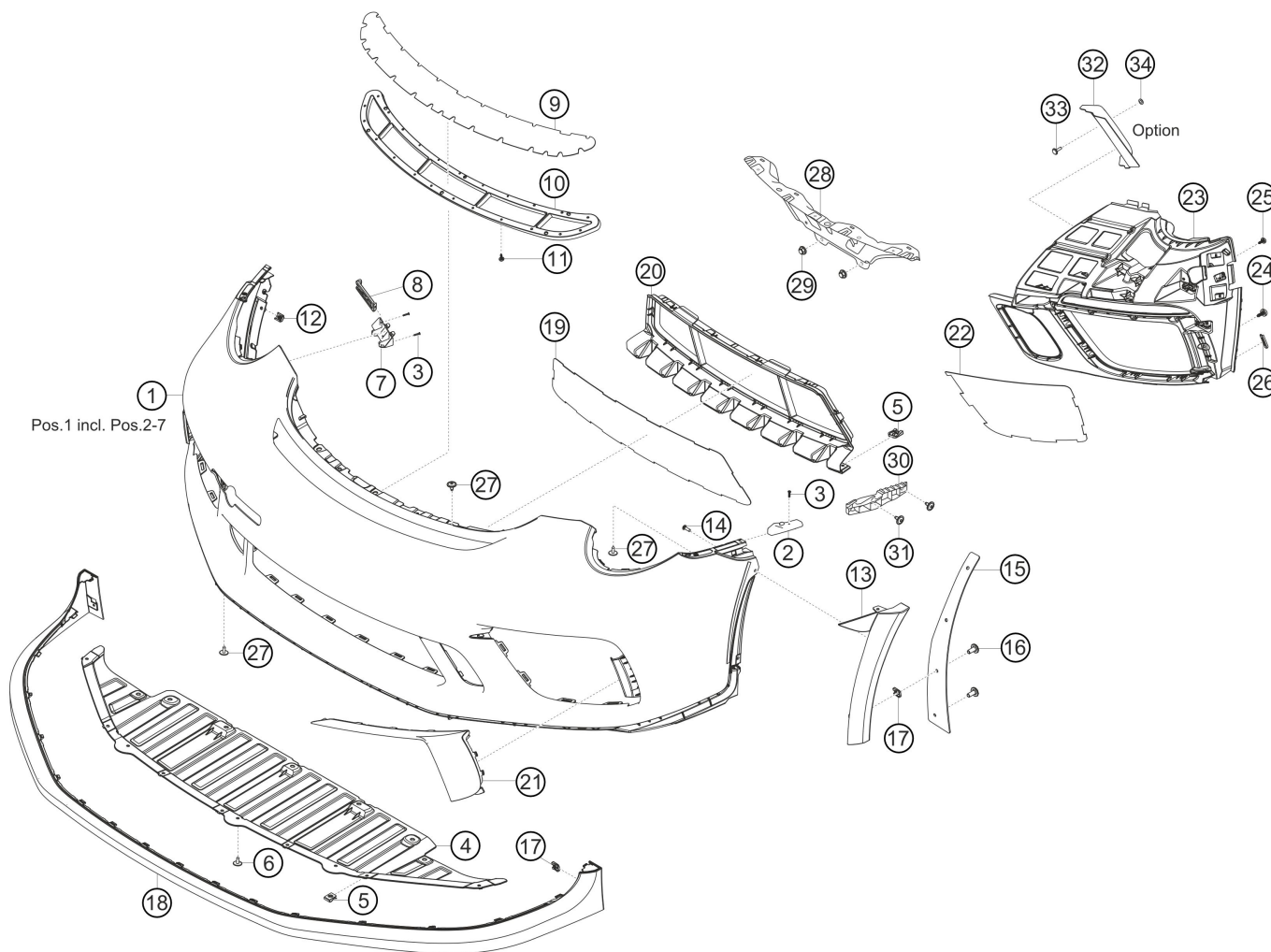
Item no.	Description	M	Pc.	Material
1	AS LID,BODYSHELL	X	1	9915119138AG2X
2	AS LID HINGE LEFT		1	99151115103
2	AS LID HINGE RIGHT		1	99151115203
3	OVAL HEAD SCREW M6X20-KLR* V60556 8.8 R672-TC		4	N 91188302
4	NUT M6		4	99908422201
5	GAS-PRESSURE SPRING LID FRONT		2	99151155100
6	BUFFER,ADJUSTABLE		2	9P1823499
7	AIR ROUTING LEFT/RIGHT	X	2	9915755138C
8	ADHESIVE	X	1	9R650090410
9	AS AIR ROUTING COCKPIT VENTILATION LEFT	X	1	9915753457A
10	TAPPING SCREW ST4,8X16-C EINS-ST 26D0		3	99907350501
11	SPEED NUT ST 4,8 * C67S 26M1		2	99950730902
12	AS AIR ROUTING COCKPIT VENTILATION RIGHT	X	1	9915753467A
13	PLASTIC NUT T6/22X10,5 PA66 GRAU		2	99904903240
14	AS CREST		1	99155921100
15	PAD CREST		1	99155921502
16	SPEED NUT 3,0 * C67S/MASTIC		2	99959142303
17	GASKET LID FRONT		1	99151161103
18	BOLT QUICK FASTENER	X	2	99751154190
19	WASHER A10,5 I 7089 200HV		4	90002500803
20	NUT M10 SW17 4035 04 C34G	X	4	90003400303
21	SAFETY PLATE LID LOCKING	X	2	9915115438A
22	POP-RIVET 3,2X9,7		6	99919011430
23				

8.8 front cover

Item no.	Description	M	Pc.	Material
23	SAFETY PIN LID LOCKING	X	2	99351132170

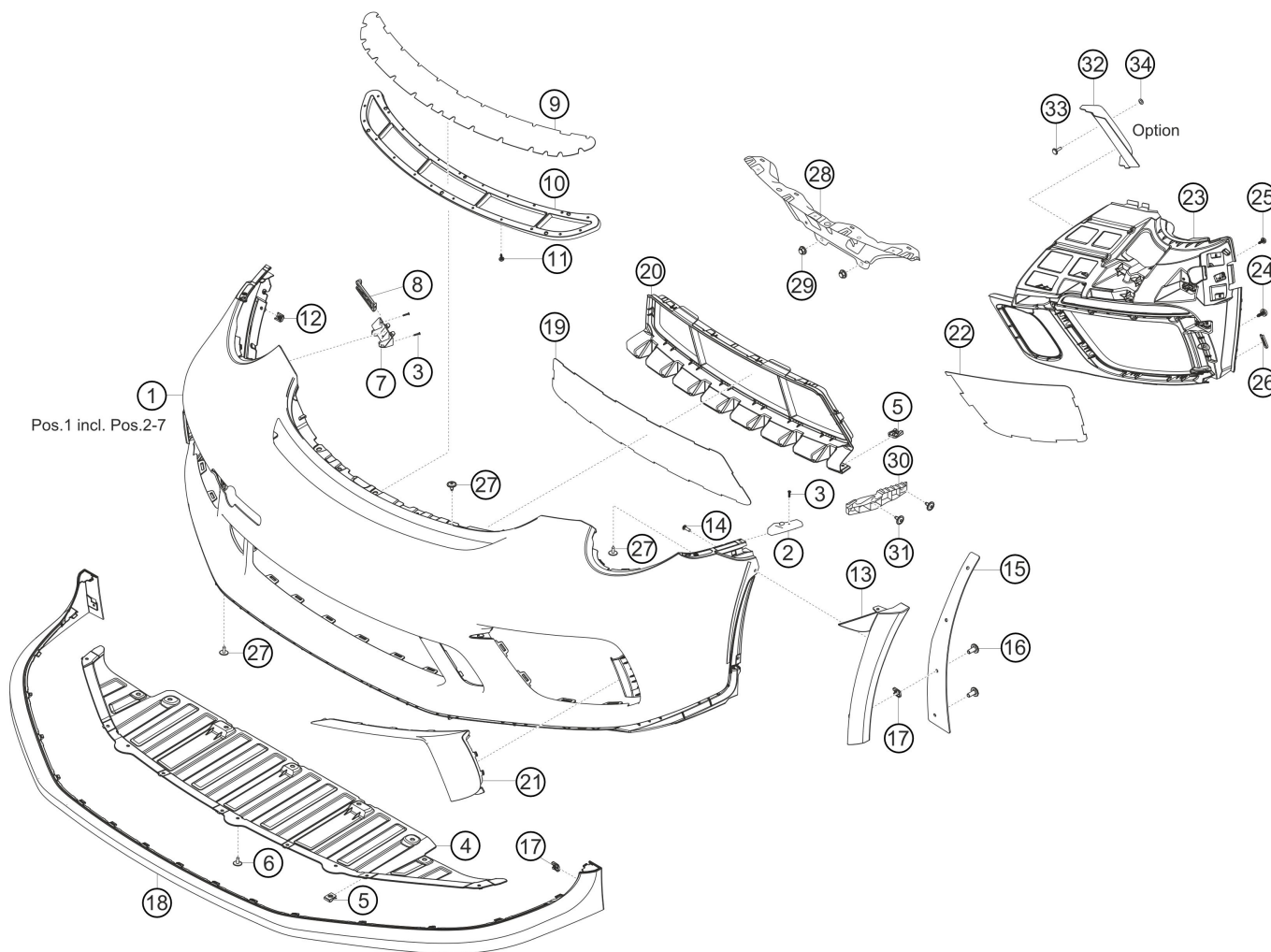


8.9 front-end covering



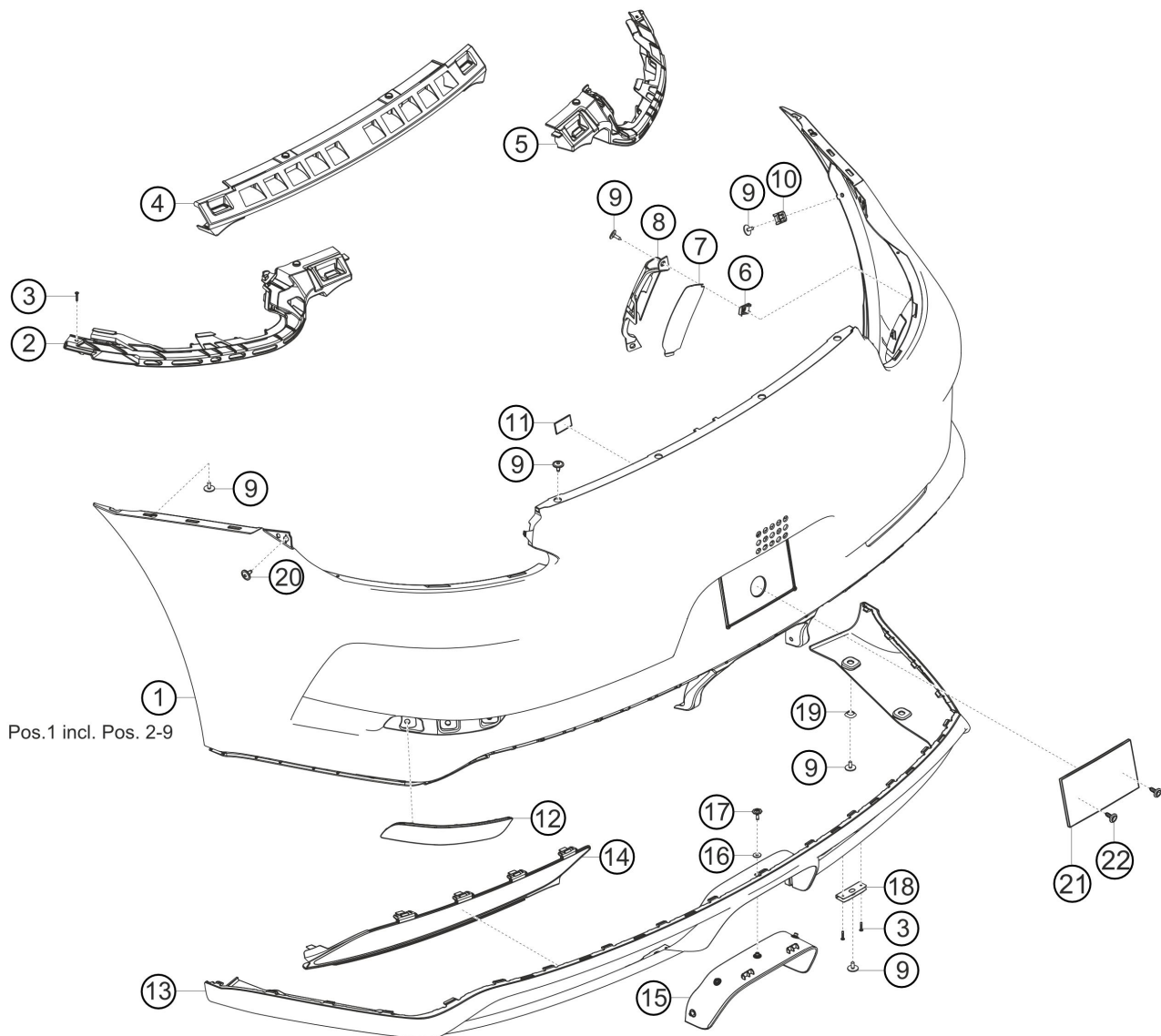
Item no.	Description	M	Pc.	Material
1	COVERING FRONT	X	1	9F0898220 G2X
2	CORNER PART COVER LEFT	X	1	99150557301
2	CORNER PART COVER RIGHT	X	1	99150557401
3	BLIND RIVET A 3,2X17,0		6	99919019130
4	UNDERBODY FRONT-END		1	99150560180OK1
5	SPEED NUT ST 4,8 * C67S 26M1		10	99950730902
6	TAPPING SCREW ST4,8X16-C		10	99907323109
7	FIXING PLATE LEFT	X	1	99150531701
7	FIXING PLATE RIGHT	X	1	99150531801
8	FRONT END FIXING		2	99750571900
9	GRATE AIR-OUTLET		1	99150571792
10	HOLDING FRAME EXHAUST AIR MID RADIATOR		1	991505567901E0
11	SCREW 3,0X13,0		31	99991926801
12	SPEED NUT ST 4,8 * C67S 26M1		4	99950730902
13	Z WHEEL TRIM	X	1	9F0821303 G2X
13	Z WHEEL TRIM	X	1	9F0821304 G2X
14	OVAL-HEAD SCREW 6,0X18,0-Q		2	99991924601
15	SPOILER	X	2	9F0807513
16	SCREW FILL. HD. M5X16 8.8 S627		8	999073269A2
17	SPEED NUT M 5 C45 C642+GL		8	99950755601
18	FRONT SPOILER	X	1	9F0807061
19	MESH INTAKE AIR MID RADIATOR		1	99150571180
20	HOLDING FRAME INTAKE AIR MID RADIATOR		1	99150556980OK1

8.9 front-end covering



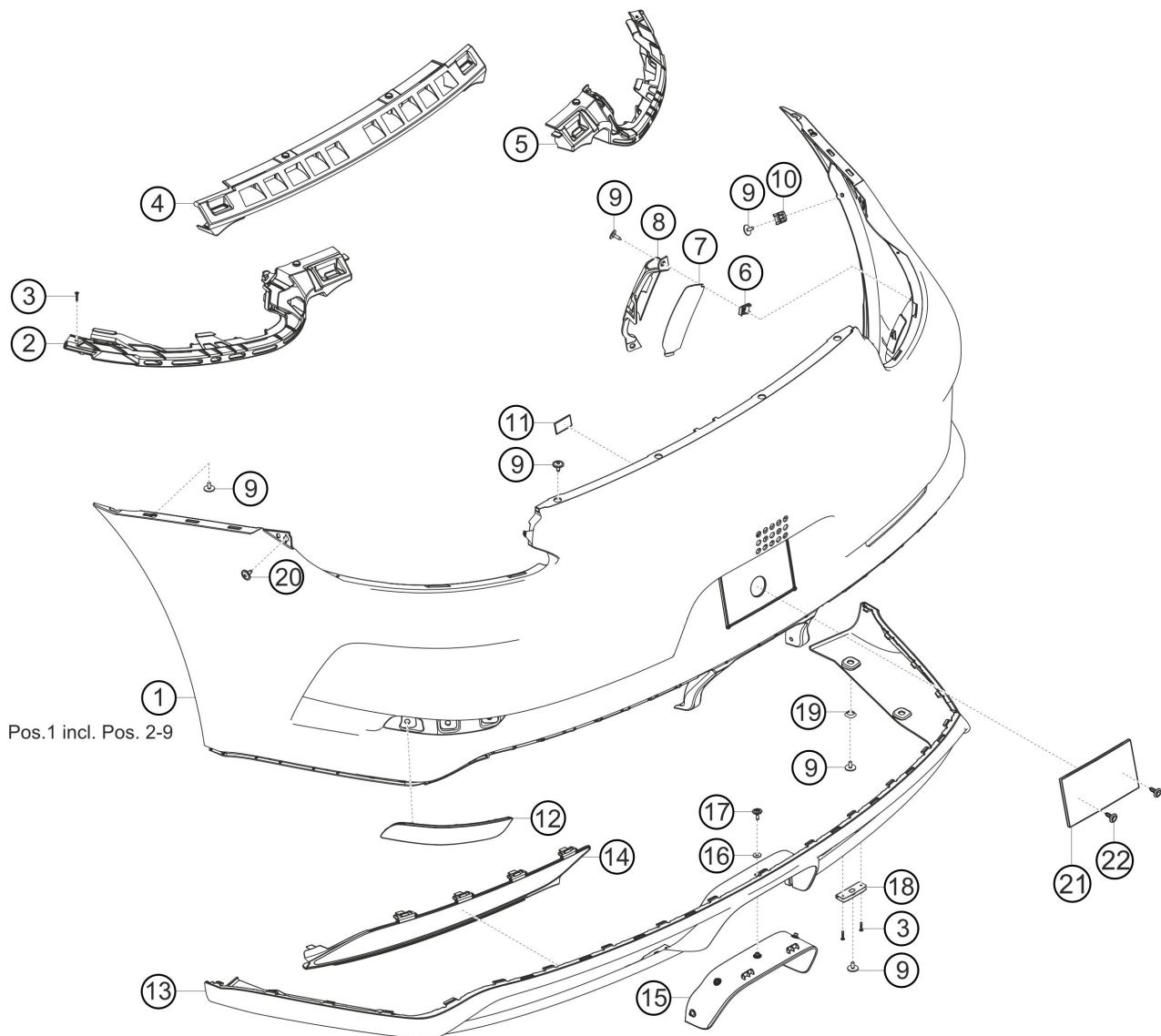
Item no.	Description	M	Pc.	Material
21	PANEL FRONT END RIGHT		1	99150576880OK1
21	PANEL FRONT END LEFT		1	99150576780OK1
22	MESH INTAKE AIR SIDE RADIATOR RIGHT		1	99150571480
22	MESH INTAKE AIR SIDE RADIATOR LEFT		1	99150571380
23	RETAINING FRAME FRONT END RIGHT	X	1	9F0807941 OK1
23	RETAINING FRAME FRONT END LEFT		1	99150556380OK1
24	OVAL-HEAD SCREW 6,0X18,0-Q		2	99991924601
25	SCREW 3,0X13,0		8	99991926801
26	U-CLAMP		12	99950769600
27	TAPPING SCREW ST4,8X19-C EINS-ST 26D0		8	99907322709
28	HOLDER FRONT END MID		1	9P1806623
29	NUT M6		4	99908422201
30	RETAINING STRIP RIGHT		1	99150553601
30	RETAINING STRIP LEFT		1	99150553501
31	TAPPING SCREW ST4,8X19-C EINS-ST 26D0		4	99907322709
32	GRATE AIR INLET	X	1	99150571381
32	GRATE AIR INLET	X	1	99150571481
33	BLIND RIVET		8	N 90287601
34	WASHER	X	8	N 01169215

8.10 rear-end covering



Item no.	Description	M	Pc.	Material
O.B.	LOGO CUP	X	1	9915592378A
O.B.	LOGO CUP	X	1	9915592398A
1	REAR COVER PRIMED	X	1	9F0807421 G2X
2	GRIP CHANNEL REAR		1	99150583582
3	BLIND RIVET A 3,2X17,0		6	99919019130
4	GRIP CHANNEL CENTER		1	99150583982
5	GRIP CHANNEL LOWER		1	99150583682
6	SPEED NUT		4	99959169901
7	MESH EXHAUST AIR REAR COVER LEFT		1	99150581780
7	MESH EXHAUST AIR REAR COVER RIGHT		1	99150581880
8	RETAINING FRAME EXHAUST AIR RIGHT		1	99150587680
8	RETAINING FRAME EXHAUST AIR LEFT		1	99150587580
9	TAPPING SCREW ST4,8X19-C EINS-ST 26D0		24	99907322709
10	SPEED NUT ST 4,8 * C67S 26M1		4	99950730902
11	TEXTILE FASTENER	X	1	9916128128B
12	REFLECTOR REAR COVER LEFT		1	99163149580
12	REFLECTOR REAR COVER RIGHT		1	99163149680
13	PANEL REAR COVER BOTTOM		1	99150581180OK1
14	MESH REAR COVER BOTTOM RIGHT		1	99150583480
14	MESH REAR COVER BOTTOM LEFT		1	99150583380
15	PANEL REAR MUFFLER		1	99150565180OK1
16	WASHER 4 I 7093 200HV C343		5	90015102801
17	OVAL-HEAD SCREW		5	99991926401

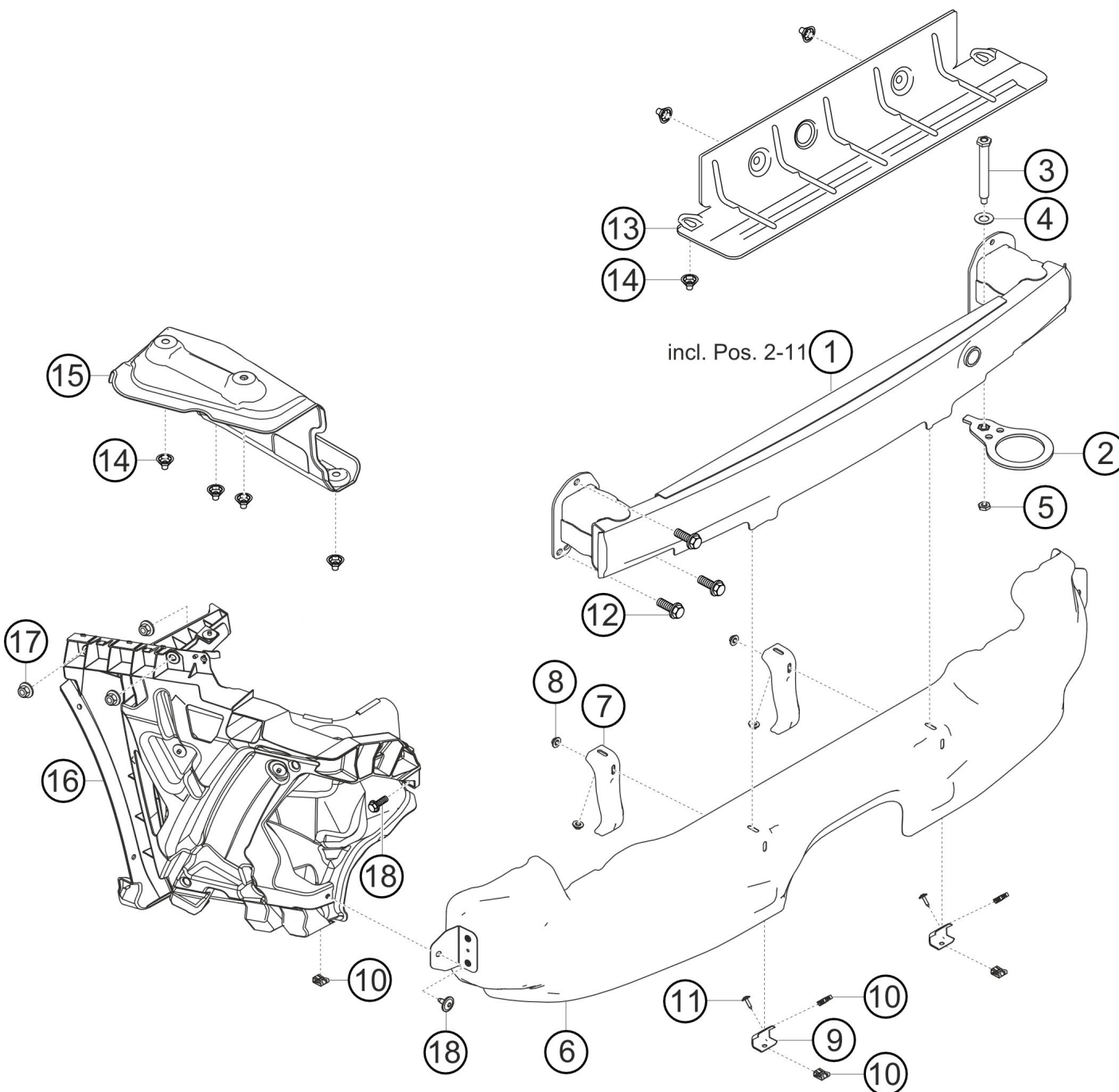
8.10 rear-end covering



Pos.1 incl. Pos. 2-9

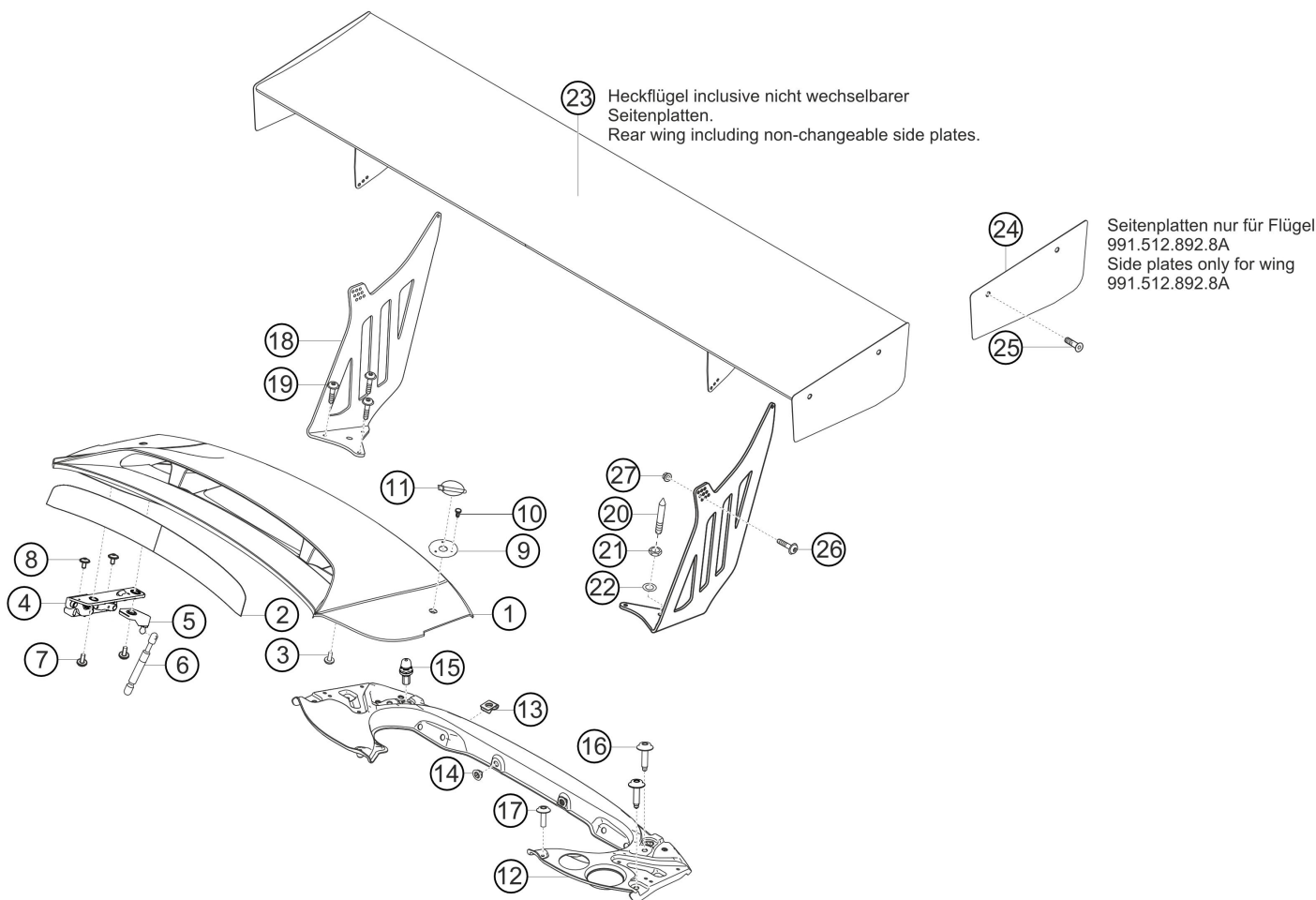
Item no.	Description	M	Pc.	Material
18	SUPPORTING RAIL LOWER		1	99150583780
19	REINFORCEMENT		4	99950718101
20	SCREW FILL. HD. M6X25-SC		2	99907313102
21	COVER LICENCE PLATE BRACKET	X	1	9917011158A
22	TAPPING SCREW ST4,2X16		1	90014403407

8.11 rear heat protection



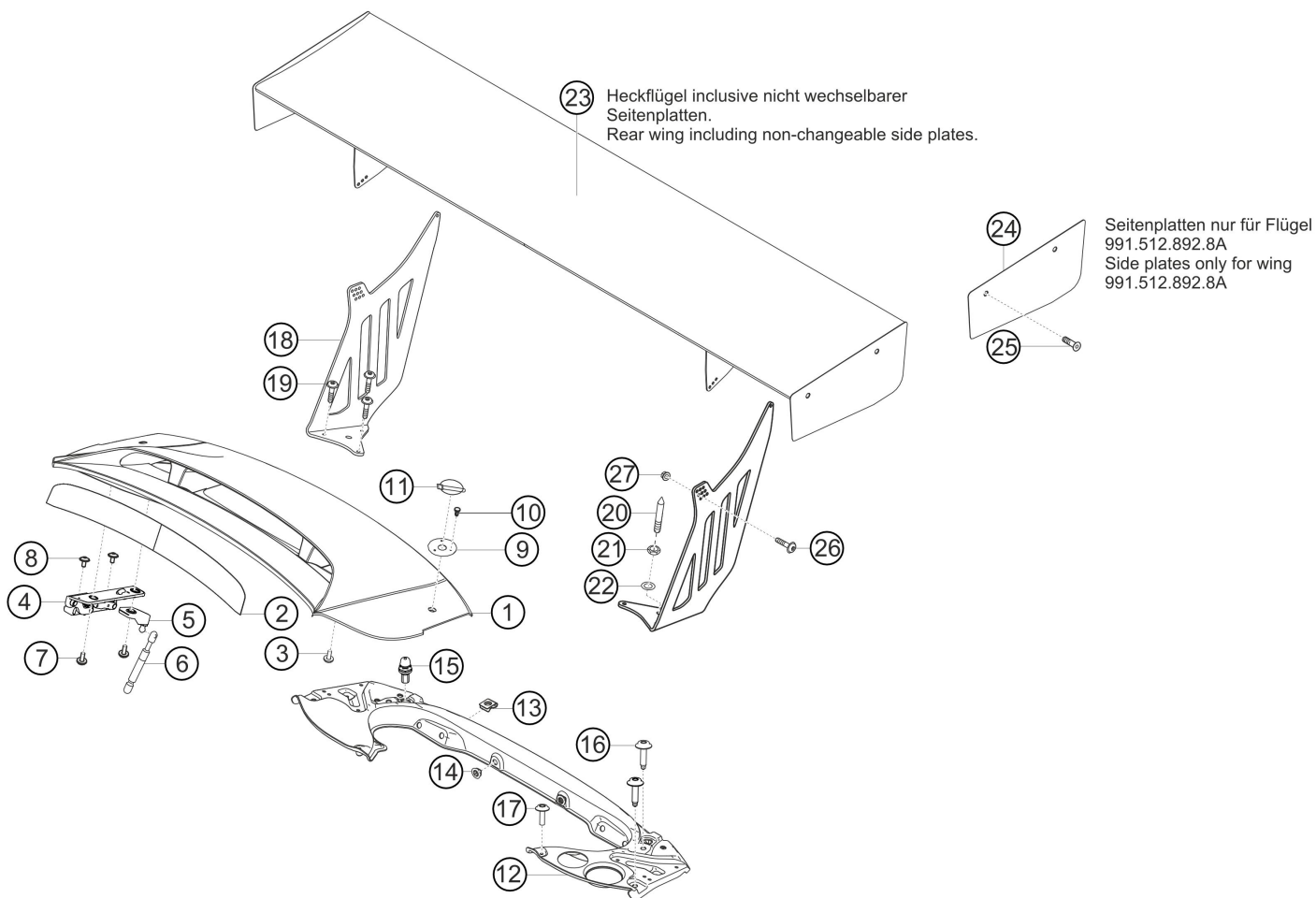
Item no.	Description	M	Pc.	Material
1	AS SUPPORT BUMPER,REAR,CPL.	X	1	9915051419B
2	TOWING LUG REAR	X	1	9917226959A
3	COLLAR SCREW TOWING LUG	X	1	9917226978A
4	DISC SPRING	X	1	9915056718A
5	NUT M10 SW17 4035 04 C34G	X	1	90003400303
6	AS HEAT SHIELD CENTER		1	99150547581
7	HOLDER HEAT SHIELD		2	99150563900
8	6KT-MU M 6-S 8/DC01 26C1		4	99907609101
9	CONNECTION BRACKET		2	99150564980
10	SPEED NUT ST 4,8 * C67S 26M1		6	99950730902
11	TAPPING SCREW ST4,8X19-C		2	99907341801
12	HEXAGON-HEAD BOLT M 8X30-PA EN1665 SC 12.9 26B1		6	90037835101
13	AS HEAT SHIELD CENTER,UPPER	X	1	9915054718B
14	HEXAGON NUT T6 C45E 26M1 SI		12	99904903901
15	AS HEAT SHIELD INNER,RAIL 3 LEFT		1	99150547792
15	AS HEAT SHIELD INNER,RAIL 3 RIGHT		1	99150547892
16	AS BRACKET LATERAL	X	1	9F0813651B
16	AS BRACKET LATERAL	X	1	9F0813652B
17	HEX-HEAD NUT M6		10	9A700746200
18	COMBINATION SCREW M6POWX22		2	99914310101

8.12 rear cover and wing



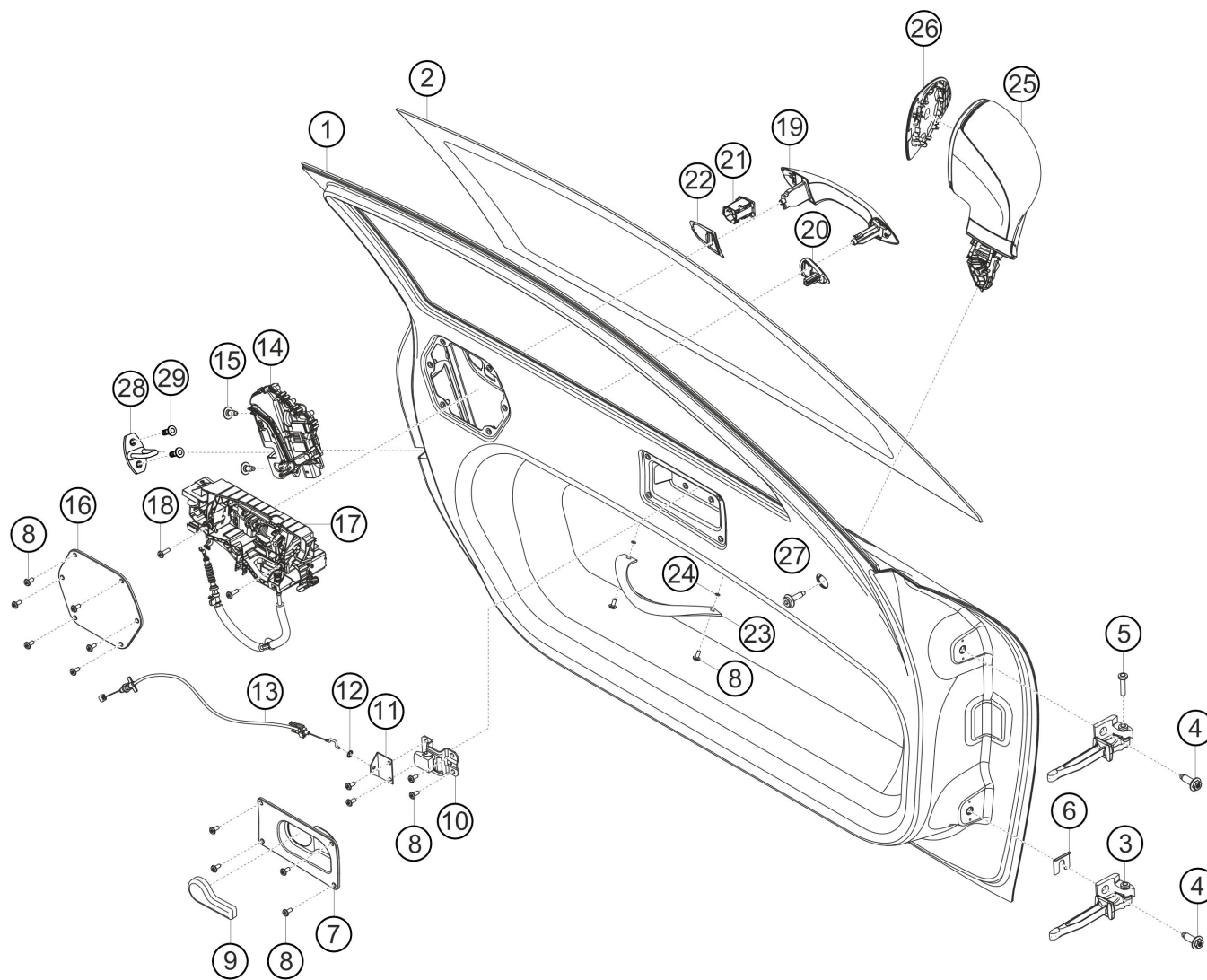
Item no.	Description	M	Pc.	Material
1	AS REAR LID PRIMED	X	1	9915122258BG2X
2	PROTECTION MESH AIR INTAKE REAR LID	X	1	9915123258B
3	OVAL HEAD SCREW M6X16 8.8 S628		4	999015026A1
4	AS HINGE LID,REAR	X	1	9915121518C
4	AS HINGE LID,REAR	X	1	9915121528C
5	ADAPTER LID HINGE,REAR	X	2	9915125638A
6	GAS-PRESSURE SPRING LID REAR		1	99151255100
7	SCREW M6X20		4	N 91188301
8	LENS-HEAD SCREW M6X16 8.8		4	999073297A1
9	SAFETY PLATE LID LOCKING	X	2	9915115438A
10	POP-RIVET 3,2X9,7		6	99919011430
11	SAFETY PIN LID LOCKING	X	2	99351132170
12	AS INSTALLATION FRAME REAR CHASSIS	X	1	9915042218E
13	SPEED NUT ST 4,8 * C67S 26M1		4	99950730902
14	GROMMET		2	95811067300
15	AS ADJUSTING ELEMENT REAR LID		2	99651298700
16	SCREW M8x45 10.9	X	4	99907334709
17	OVAL-HEAD SCREW M6X30-SC 8.8 C34G		2	99907336602
18	WING SUPPORT RH	X	1	9915126828A
18	WING SUPPORT LH	X	1	9915126818A
19	SCREW FILL. HD. M6X20-SC 8.8 26D1		6	99907332202
20	BOLT QUICK FASTENER	X	2	9915115618A
21	NUT M10 SW17 4035 04 C34G	X	2	90003400303

8.12 rear cover and wing



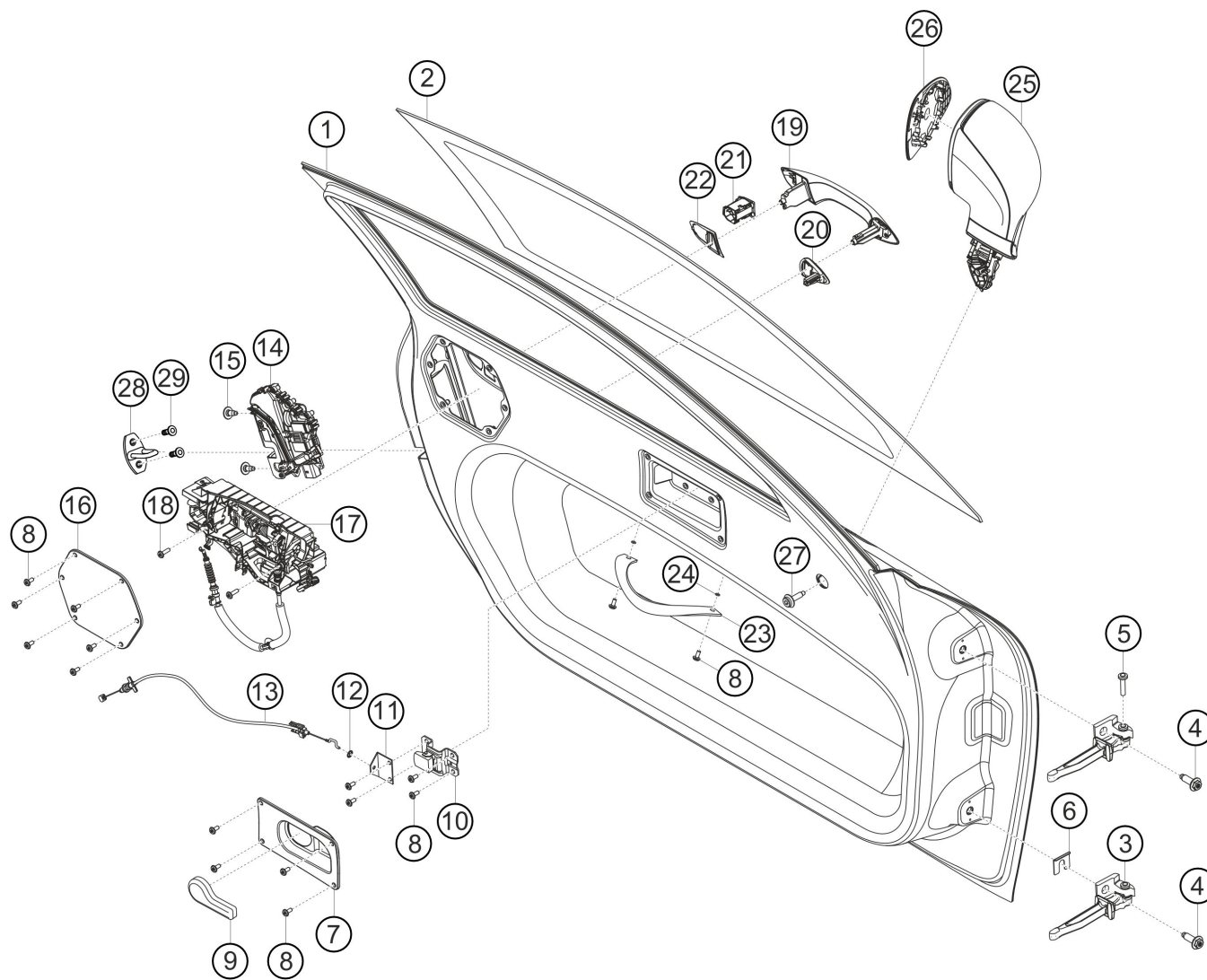
Item no.	Description	M	Pc.	Material
22	WASHER A10,5 I 7089 200HV		2	90002500803
23	Z SPOILER	X	1	9F0827837D
24	SIDE PLATE REAR WING LEFT	X	1	99751296391
24	SIDE PLATE REAR WING RIGHT	X	1	99751296491
25	COUNTERSUNK SCREW M5X16 8.8	X	4	99907338601
26	SCREW FILL. HD. M6X20-SC 8.8 26D1		4	99907332202
27	HEX-HEAD NUT M6-SL		4	99908462901

8.13 doors



Item no.	Description	M	Pc.	Material
1	AS DOOR RIGHT	X	1	9F0831042
1	AS DOOR LEFT	X	1	9F0831041
2	DOOR GLASS LEFT	X	1	9915425118E
2	DOOR GLASS RIGHT	X	1	9915425128E
3	DOOR HINGE LEFT		2	99153131901
3	DOOR HINGE RIGHT		2	99153132001
4	SCREW M10x33-DUO 10.9		4	99907206801
5	SCREW M8X15	X	2	9915314318A
6	ADJUSTING DISK DOOR HINGE 1 MM	X	1	9915317238A
6	ADJUSTING DISK DOOR HINGE 0,5 MM	X	1	9915317238B
7	HIDER DOOR HANDLE, INNER LEFT	X	1	9915375638A
7	HIDER DOOR HANDLE, INNER RIGHT	X	1	9915375648A
8	SCREW FILL. HD. M5X12 8.8 S627		11	999073268A2
9	HANDLE LEFT		1	944537225003DL
9	HANDLE RIGHT		1	944537226003DL
10	BOWDEN CONTROL RIGHT	X	1	9965370309A
10	BOWDEN CONTROL LEFT	X	1	9965370299A
11	ABUTMENT BOWDEN CABLE	X	1	99653716191
12	CLAMPING WASHER 5,0 C67S C642		1	99959194603
13	Z BOWDEN CABLE DOOR LOCK	X	1	9F0837017
14	A-DOOR LOCK		1	9A783721506
14	A-DOOR LOCK		1	9A783721606
15	SCREW M 8X20-KLR 10.9 W T630		2	WHT000439

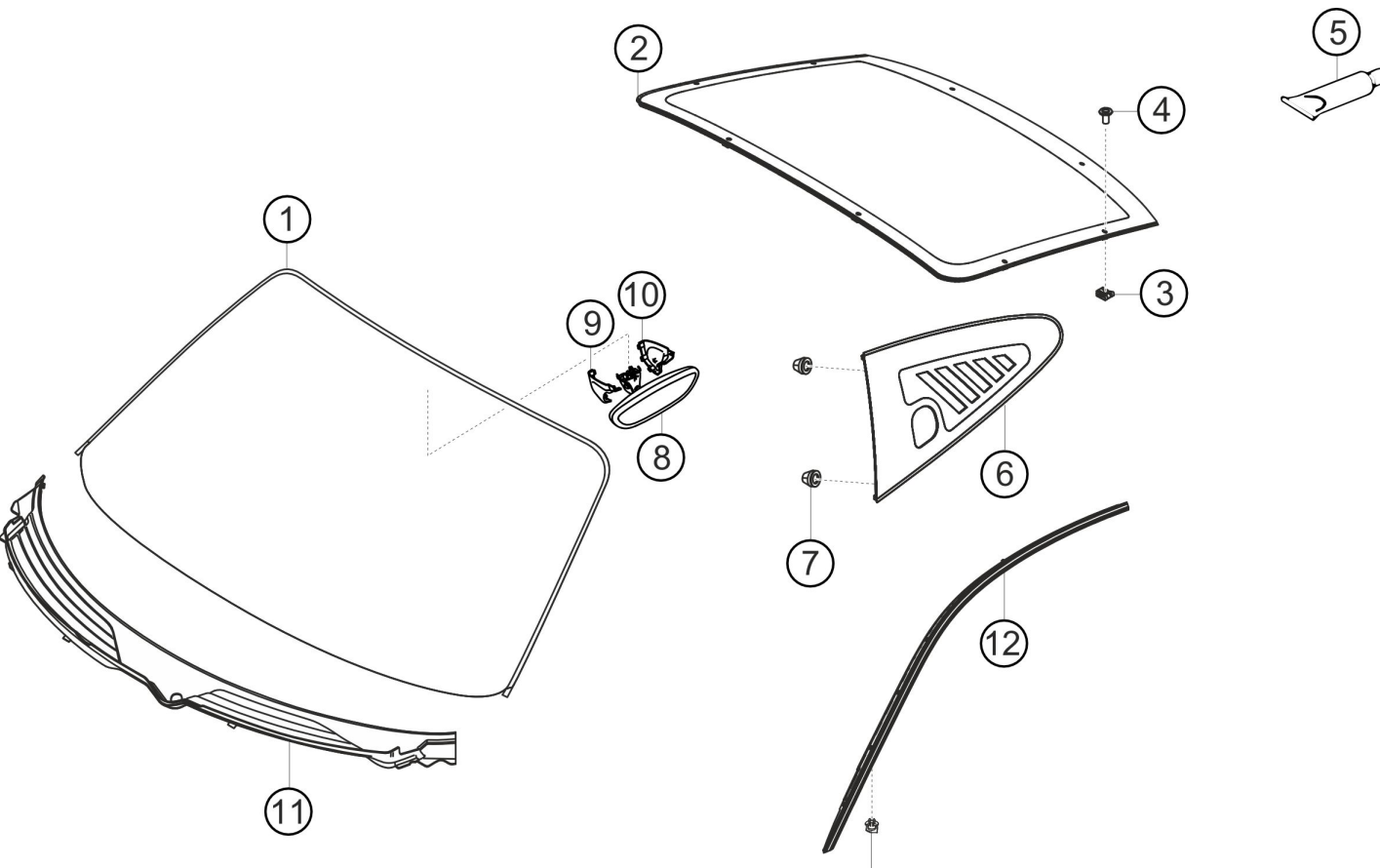
8.13 doors



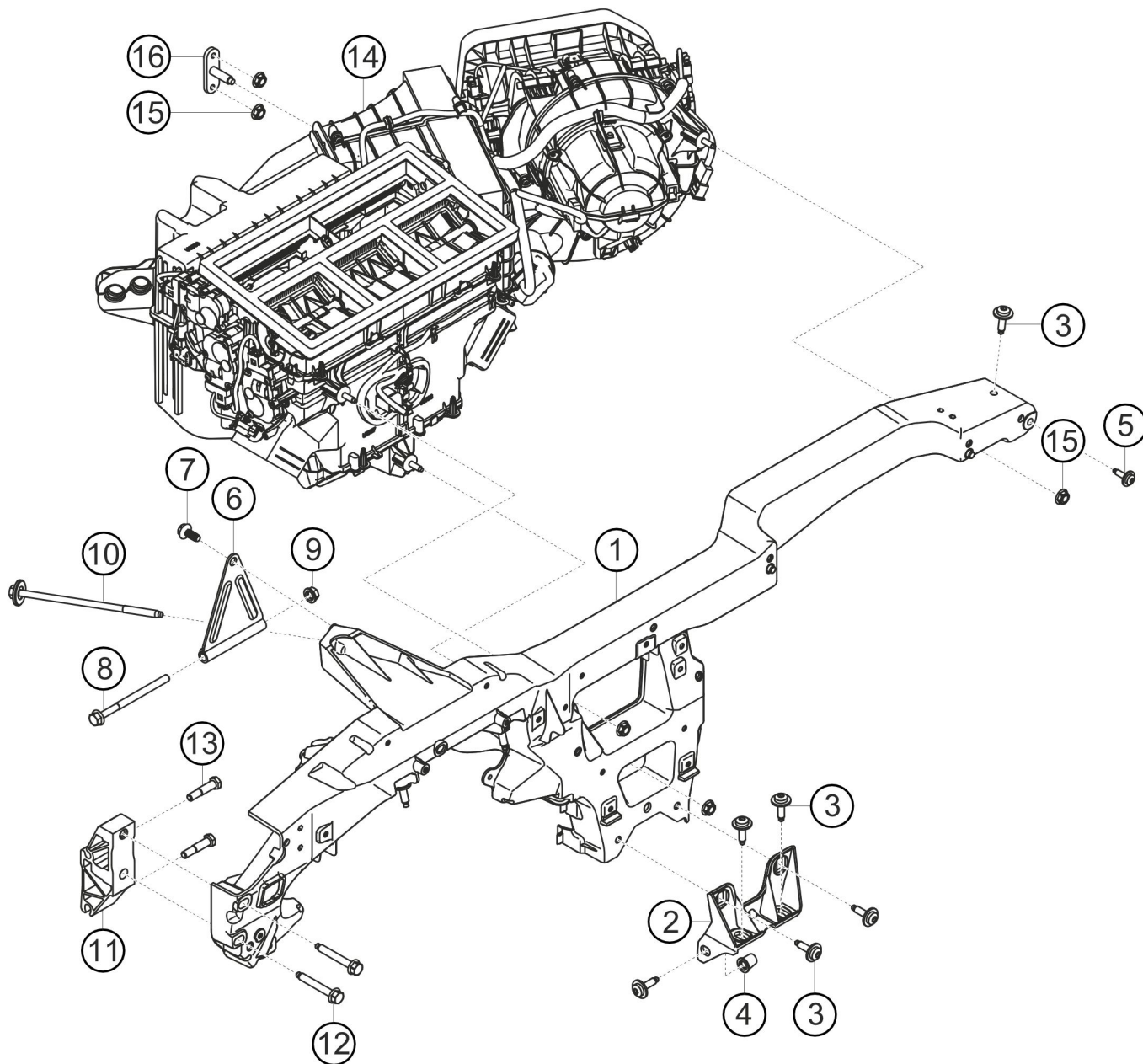
Item no.	Description	M	Pc.	Material
16	LID DOOR LOCK LEFT	X	1	9915375618A
16	LID DOOR LOCK RIGHT	X	1	9915375628A
17	AS MOUNTING BRACKET RIGHT		1	9P1837886B
17	AS MOUNTING BRACKET LEFT		1	9P1837885C
18	LENS-HEAD SCREW 5,0X18,0		3	99991931101
19	AS DOOR HANDLE OUTER RIGHT		1	9P1837166 Y
19	AS DOOR HANDLE OUTER LEFT		1	9P1837165 Y
20	AS BRACKET MOUNTING BRACKET		1	9P1837162
20	AS BRACKET MOUNTING BRACKET LEFT		1	9P1837161
21	BRACKET LOCK CYLINDER LEFT		1	9P1837469
21	BRACKET LOCK CYLINDER RIGHT		1	9P1837470
22	BACKING LOCK CYLINDER LEFT		1	9P1837209
22	BACKING LOCK CYLINDER RIGHT		1	9P1837210
23	AS DOOR OPENER		1	96455583200N13
24	O-RING 4,00x1,5 N	X	2	99970184940
25	AS EXTERIOR MIRROR WHITE LEFT	X	1	9917310198AC9A
25	AS EXTERIOR MIRROR WHITE RIGHT	X	1	9917310208AC9A
26	MIRROR GLASS FLAT		1	99173104502
26	MIRROR GLASS CONVEX		1	99173104803
27	PAN-HEAD SCREW M8X33-ASP 10.9 T610		1	99907319201
28	Z LOCKING CATCH STRIKER		1	3C0837767A
29	SCREW, CSK.-HEAD M8X22		2	N 91017401

8.14 windows

Item no.	Description	M	Pc.	Material
1	AS WINDSHIELD GLASS HEATED	X	1	9915411118B
1	AS WINDSCREEN		1	9P1845011
2	AS REAR WINDOW PC	X	1	9915451118F
3	FASTENING BRACKET		8	91850459700
4	COUNTERSUNK SCREW M 6X30	X	8	90024934501
5	ADHESIVE SET		1	00004330535
6	AS REAR SIDE WINDOW LEFT PC	X	1	9915435118G
6	AS REAR SIDE WINDOW RIGHT PC	X	1	9915435128G
7	RUBBER BRACKET	X	3	99950730540
8	INTERIOR MIRROR BLACK		1	991731511031E0
9	COVER INTERIOR MIRROR MIRROR BASE BLACK LEFT		1	991731811011E0
10	COVER INTERIOR MIRROR MIRROR BASE BLACK RIGHT		1	991731812011E0
11	COVERING	X	1	9915555638C1E0
12	AS TRIM STRIP LEFT	X	1	9915374818A03C
12	AS TRIM STRIP RIGHT	X	1	9915374828A03C
13	CLIP ROOF FRAME SEAL COUPE		8	99153767100

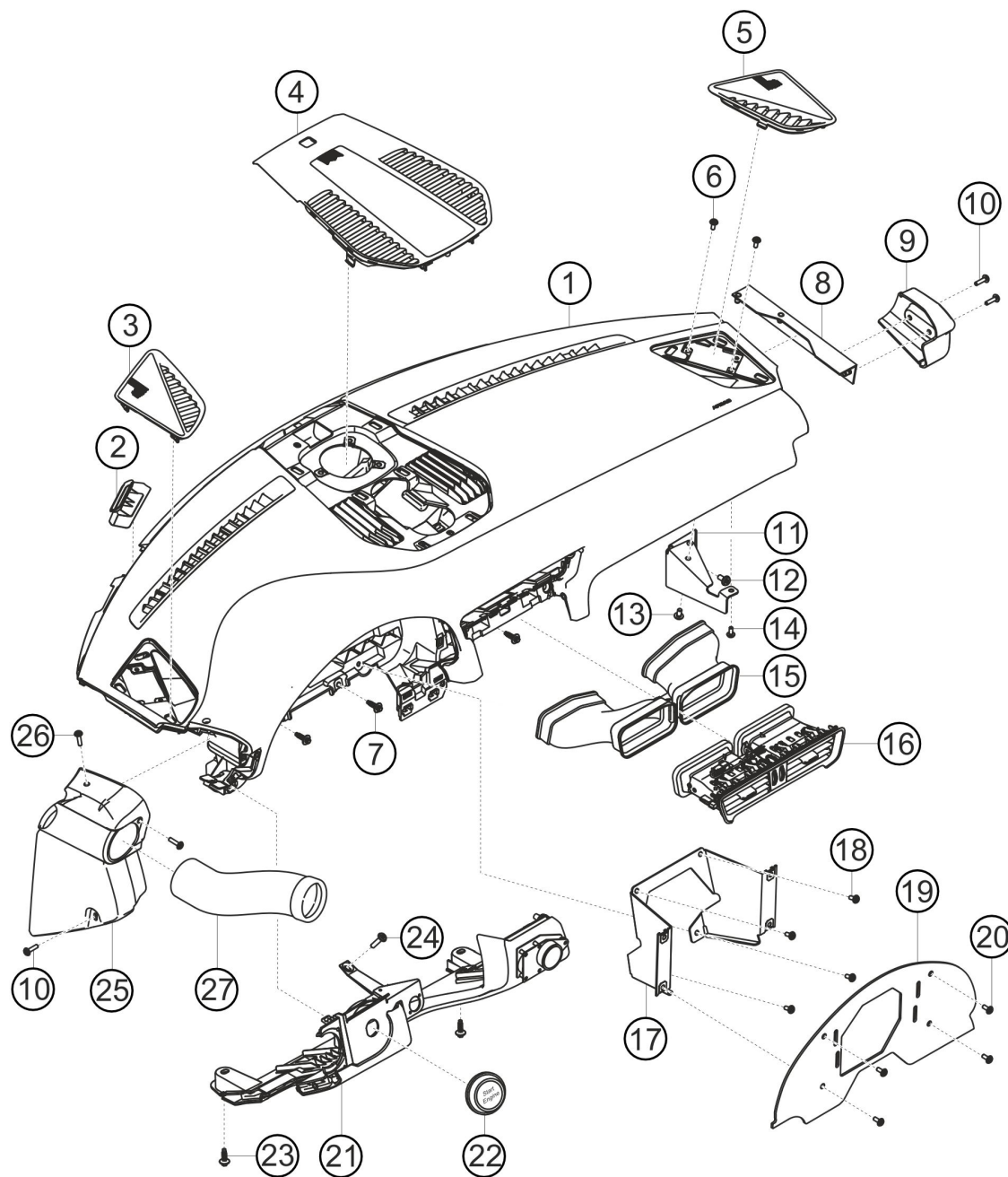


8.15 support frame + blower



Item no.	Description	M	Pc.	Material
1	AS SUPPORTING FRAME	X	1	9915040638D
2	HOLDER TUNNEL		1	99150461500
3	HEXAGON HEAD BOLT M 8GFX27 10.9 Y 26C1		5	99914301401
4	SPEED-RIVET NUT M8	X	1	99950016401
5	COMBINATION SCREW M6X30-DIS PN1644 8.8 S99-L		1	99907346701
6	SUPPORT STEERING COLUMN		1	99150465301
7	HEXAGON-HEAD BOLT M 8GFX21,5 10.9 Y 26C1*		1	99914301301
8	HEXAGON-HEAD BOLT BM8X110X80		1	N 10636601
9	HEXAGON NUT M8		1	99908463001
10	COMBINATION M8X195-PA*PN1644 8.8 S99-Y MK		1	99907358701
11	HOLDER A-PILLAR	X	1	99150460702
12	BOLT HEX.-HD. M 8X60 EN1665 8.8 26B1		2	90037805602
13	FIT BOLT M 8X45 DIN609 8.8 26B1		2	90091900901
14	AS HEATER/AC	X	1	9915730118D
15	HEXAGON NUT M 6 EN1661 8 26D1		7	90037701809
16	SUPPORT AIR CONDITIONER		2	99157248100

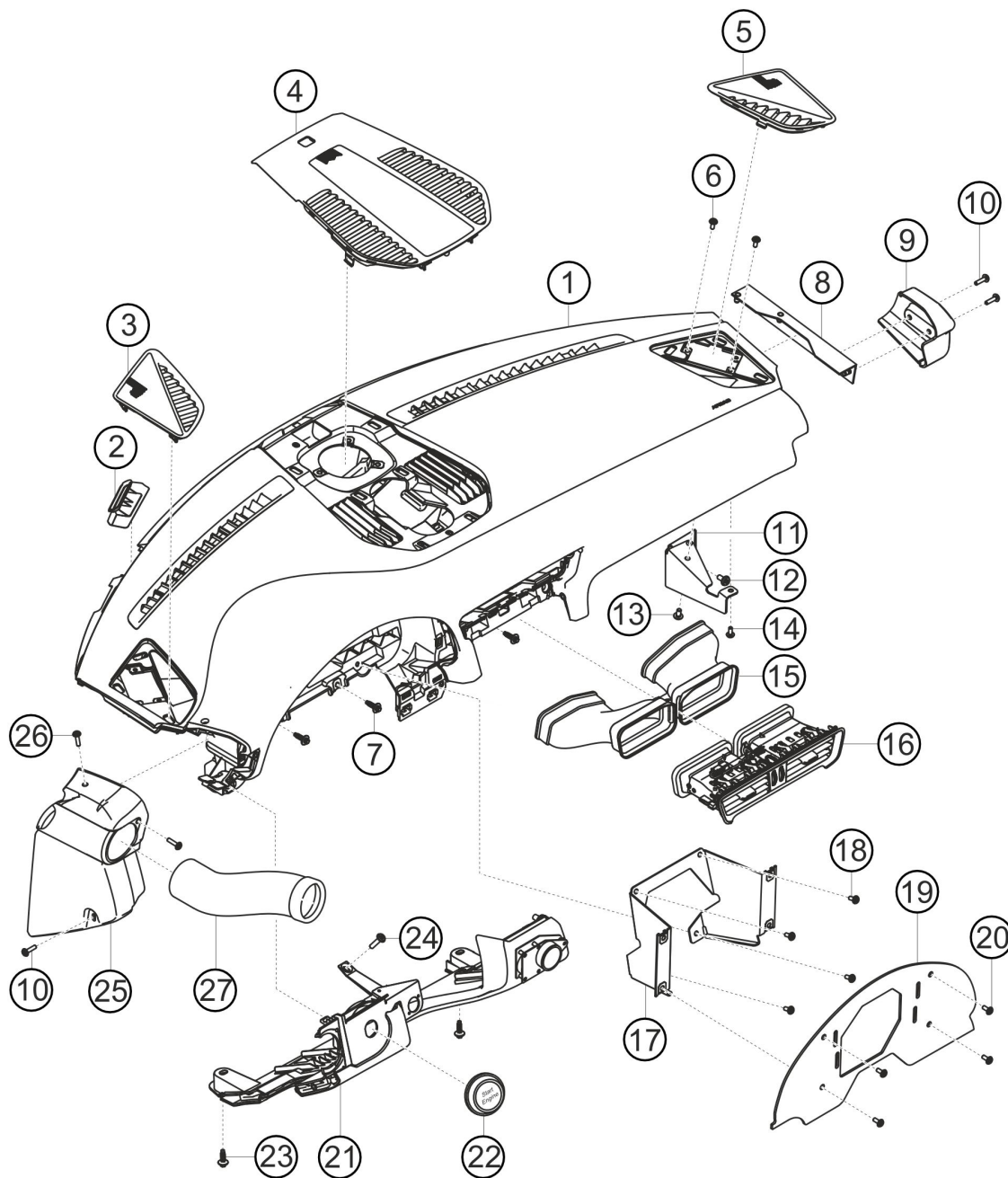
8.16 instrument board



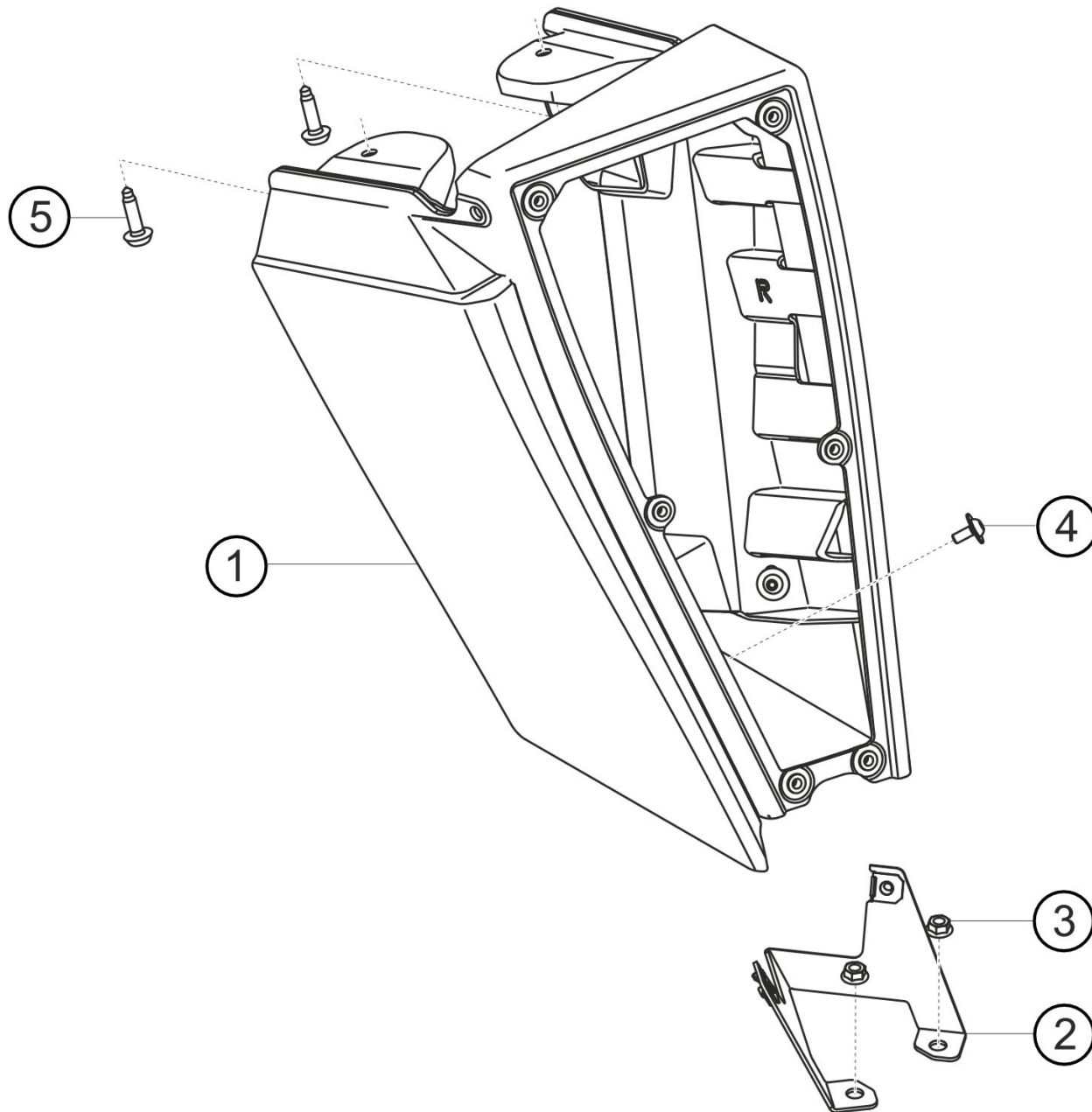
Item no.	Description	M	Pc.	Material
1	AS DASHBOARD	X	1	9915521018A
2	HOLDER VEHICLE ID-NUMBER		1	99155257100
3	LOUDSPEAKER GRILLE LEFT		1	991552575005Q0
4	AS COVER DASHBOARD CENTER		1	991552151005Q0
5	LOUDSPEAKER GRILLE RIGHT		1	991552576005Q0
6	SCREW FILL.HD. M5X12 8.8 26D1		2	99907326809
7	HEXAGON SCREW 6,0X20,0 * ST 26C1		3	99991927801
8	HOLDER RH	X	1	9915526308A
9	CLOSING PART DASHBOARD RIGHT	X	1	9915524068A
10	SCREW FILL.HD. M5X12 8.8 26D1		4	99907326809
11	HOLDER DASHBOARD	X	1	9915526228A
12	HEXAGON SCREW 6,0X20,0 * ST 26C1		1	99991927801
13	LENS.-HD. SCREW M6X12 10.9 26D1		1	99901502509
14	SCREW FILL.HD. M5X12 8.8 26D1		1	99907326809
15	AIR DUCT CENTRE		1	99157276901
16	CENTRE NOZZLE GALVANO SILVER		1	99155214100DAP
17	HOLDER FIXING PLATE	X	1	9915525778A
18	SCREW FILL.HD. M5X12 8.8 26D1		4	99907326809
19	FIXING PLATE INSTRUMENTS	X	1	9915523338A
20	SCREW FILL.HD. M5X12 8.8 26D1		4	99907326809
21	AS DASHBOARD LOWER PART	X	1	9915522018C
22	TIP SWITCH	X	1	9916133088A
23	HEXAGON SCREW 6,0X20,0 * ST 26C1		2	99991927801

8.16 instrument board

Item no.	Description	M	Pc.	Material
24	OVAL-HEAD SCREW M5X20-PA		1	99907349801
25	CLOSING PART DASHBOARD	X	1	9915524058B
26	OVAL-HEAD SCREW M5X20-PA		1	99907349801
27	AS HOSE VENT	X	1	9915727918A



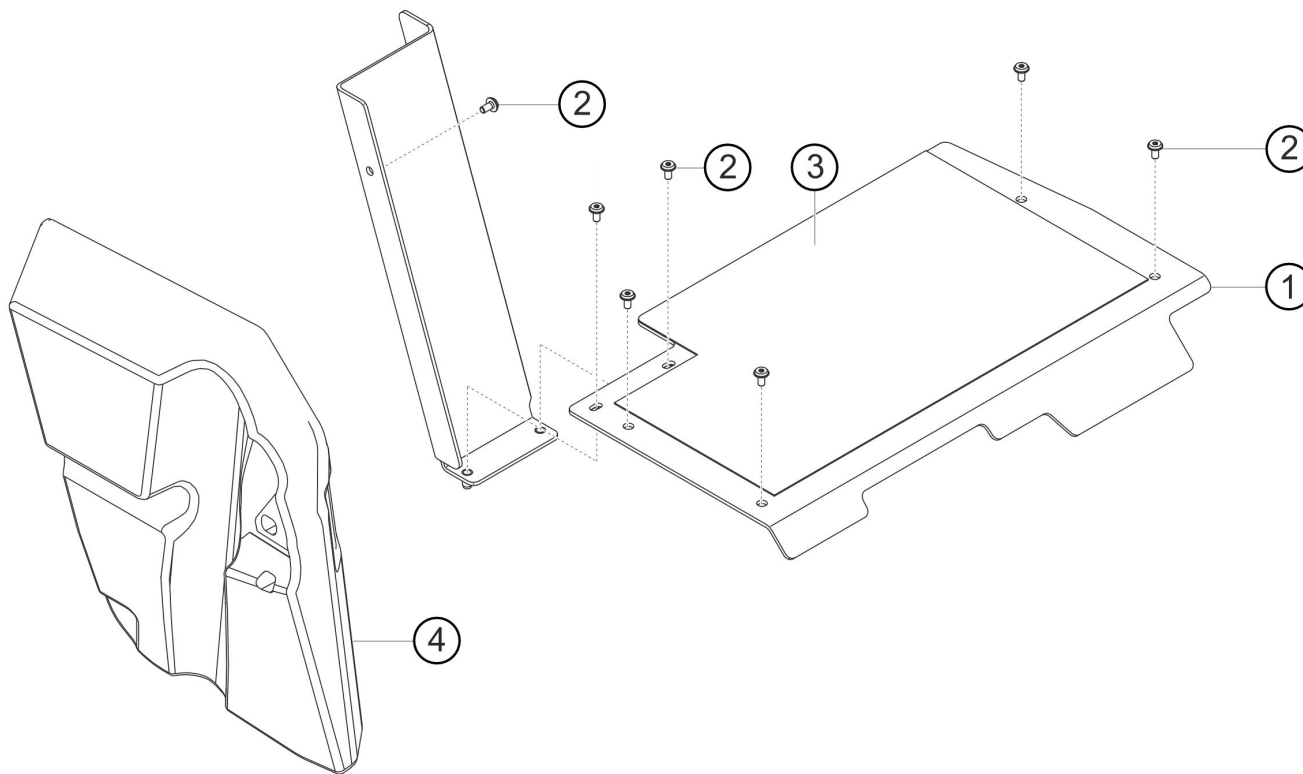
8.17 center console



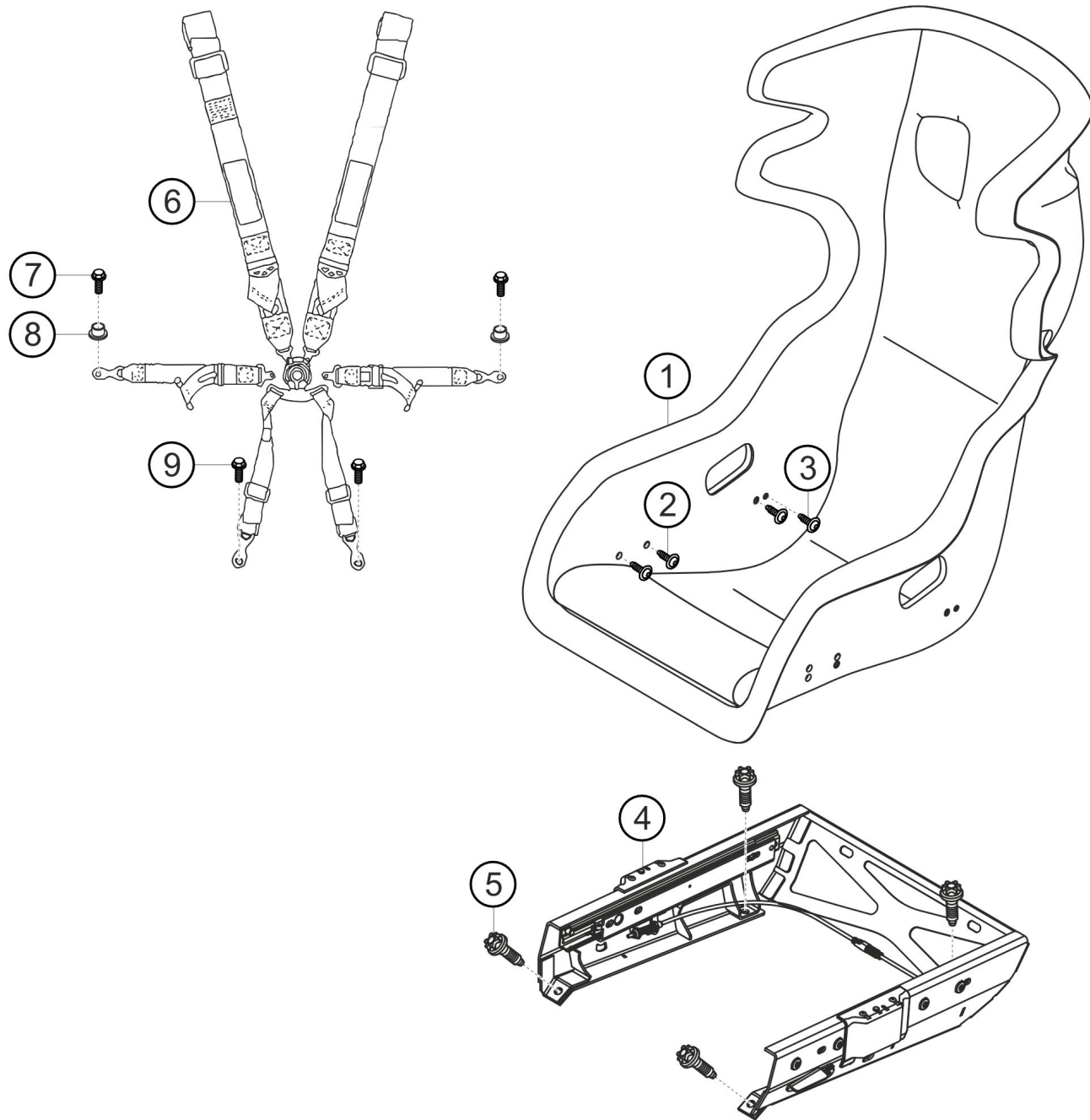
Item no.	Description	M	Pc.	Material
1	AS SUPPORT CENTEN CONSOLE	X	1	9915531238C
2	AS BASIC CARRIER CENTER CONSOLE	X	1	9915532118A
3	HEXAGON NUT M 6 EN1661 8 26D1		2	90037701809
4	SCREW FILL. HD. M5X12 8.8 S627		2	999073295A2
5	OVAL-HEAD SCREW M5X20-PA		2	99907349801

8.18 footrest and bottom plate

Item no.	Description	M	Pc.	Material
1	FOOTREST	X	1	9915512118A
2	SCREW FILL.HD. M5X12 8.8 26D1		7	99907326809
3	ADHESIVE FILM FOOTREST	X	1	9915512158A
4	FOAM PART FOOTWELL	X	1	9F0880413



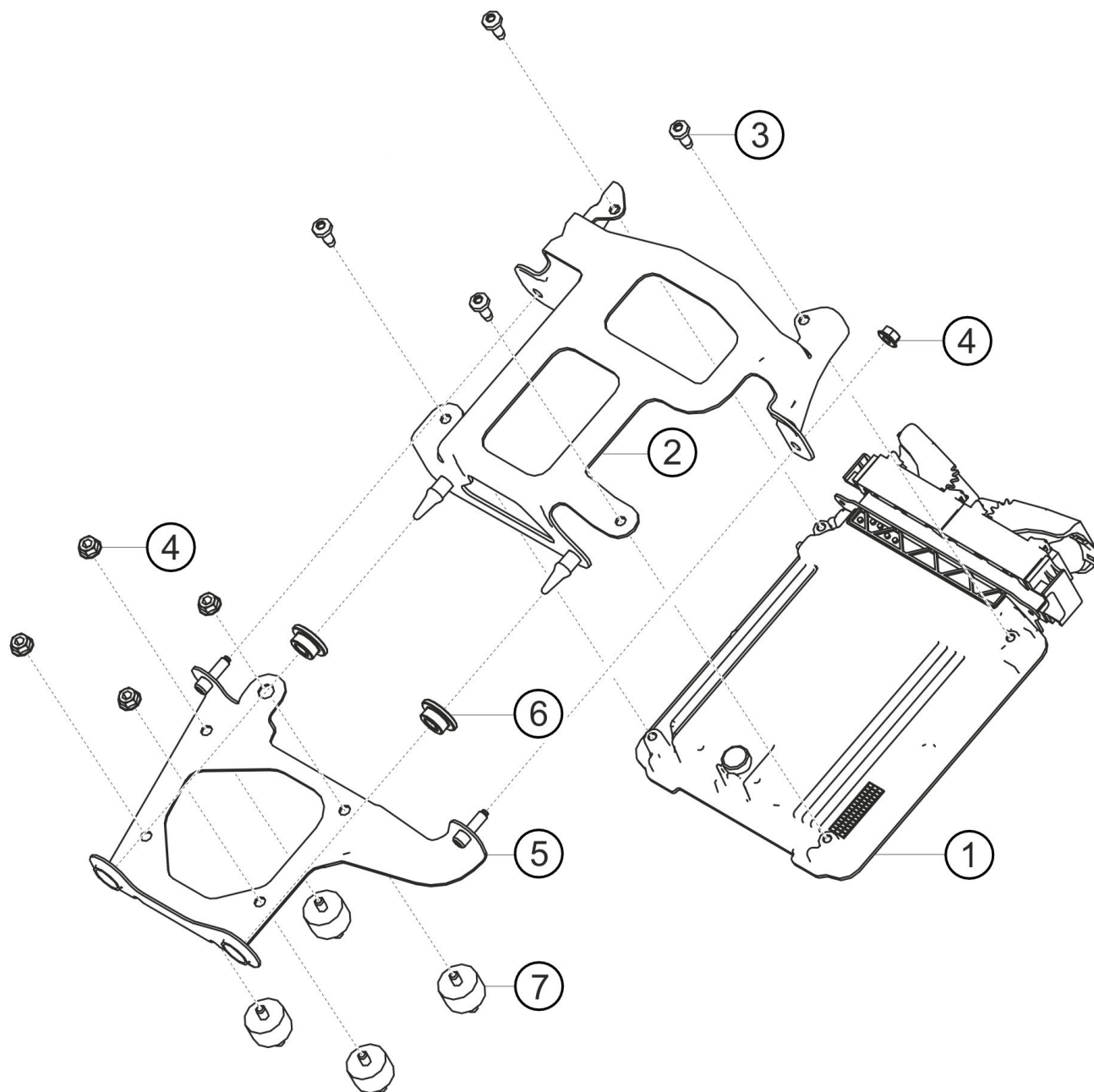
8.19 seat



Item no.	Description	M	Pc.	Material
O.B.	SET, CUSHION (SIZE S)	X	1	9915214038B
O.B.	SET, CUSHION (SIZE L)	X	1	9915214038C
1	AS SEAT PAN	X	1	9915212818A
2	SCREW M10X20	X	4	9915218638A
3	SCREW M8X25	X	4	9915218618A
4	SEAT CONSOLE	X	1	9915214298A
5	TORX SCREW M10X40 10.9		4	9A700744300
6	Z SEAT BELT	X	1	9F0857705
7	SCREW BELT ATTACHMENT	X	2	9968036919A
8	SPACING WASHER BELT	X	2	9918036898A
9	BELT SCREW	X	2	9918036918A

9 electrical system

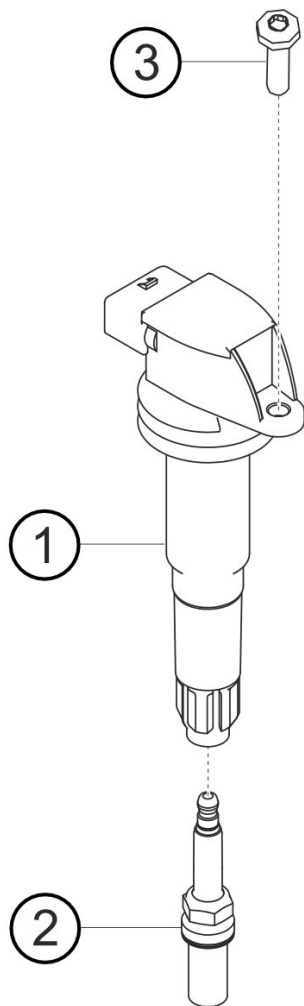
9.1 engine control unit



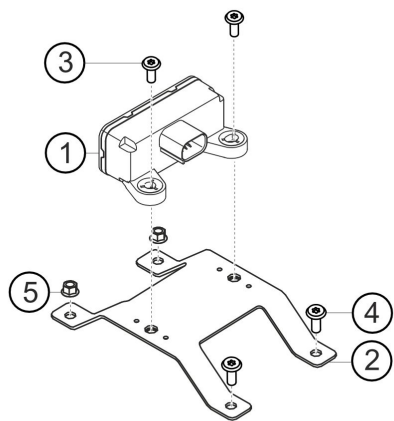
Item no.	Description	M	Pc.	Material
1	ECU ENGINE	X	1	9916186038B
2	AS HOLDER ECU UPPER	X	1	9916181498A
3	OVAL-HEAD SCREW V60556 10.9 CF T647		4	N 10669501
4	HEX-HEAD NUT M6-SL		6	99908463801
5	AS HOLDER ECU LOWER	X	1	9916186338A
6	RUBBER MOUNTING 10,0X 9,5X17* EPDM-G70-T130		2	99970349640
7	99970348602	X	4	99970348602

9.2 ignition modul

Item no.	Description	M	Pc.	Material
1	PENCIL COIL		6	9A160210407
2	SPARK PLUG		6	99917015391
3	FLAT-HEAD SCREW M6X16 8.8		6	99907310301

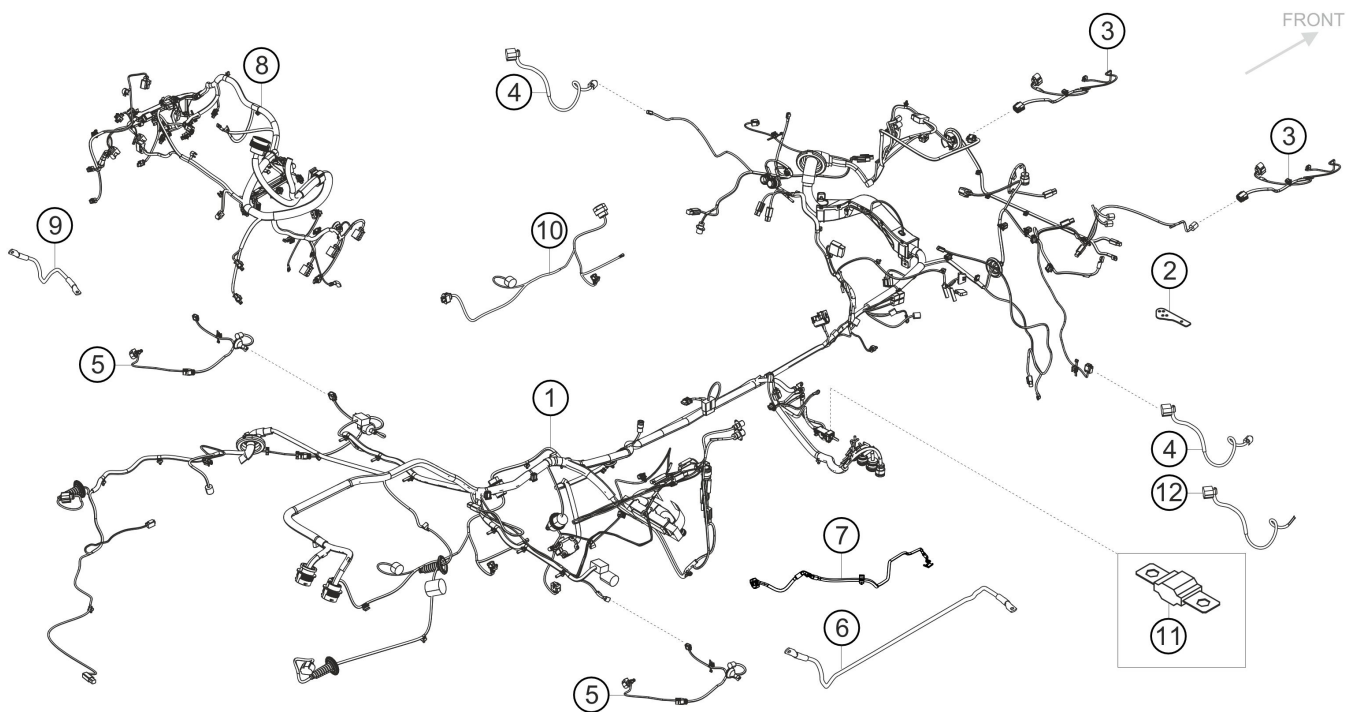


9.3 sensors



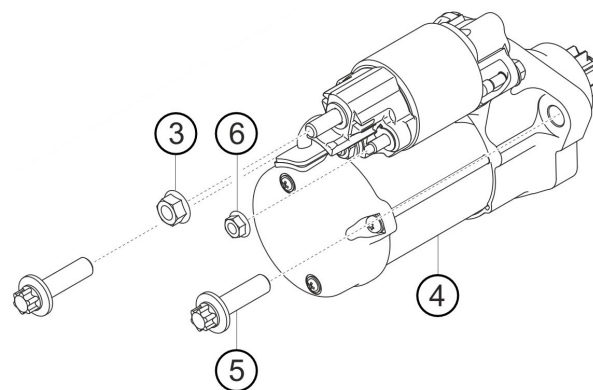
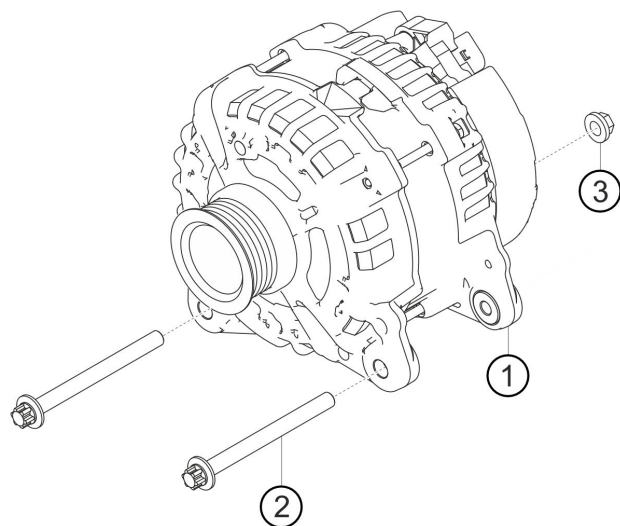
Item no.	Description	M	Pc.	Material
1	SENSOR LATERAL ACCELERATION	X	1	9916412418A
2	HOLDER YAW RATE SENSOR	X	1	9916412438A
3	ROUND HEAD SCREW M6X20 I14583 8.8 26B1		4	99907334401
4	SCREW M6x20 8.8	X	2	99907333009
5	HEXAGON NUT M 6 EN1661 8 26B1		2	90037701001

9.4 cable looms



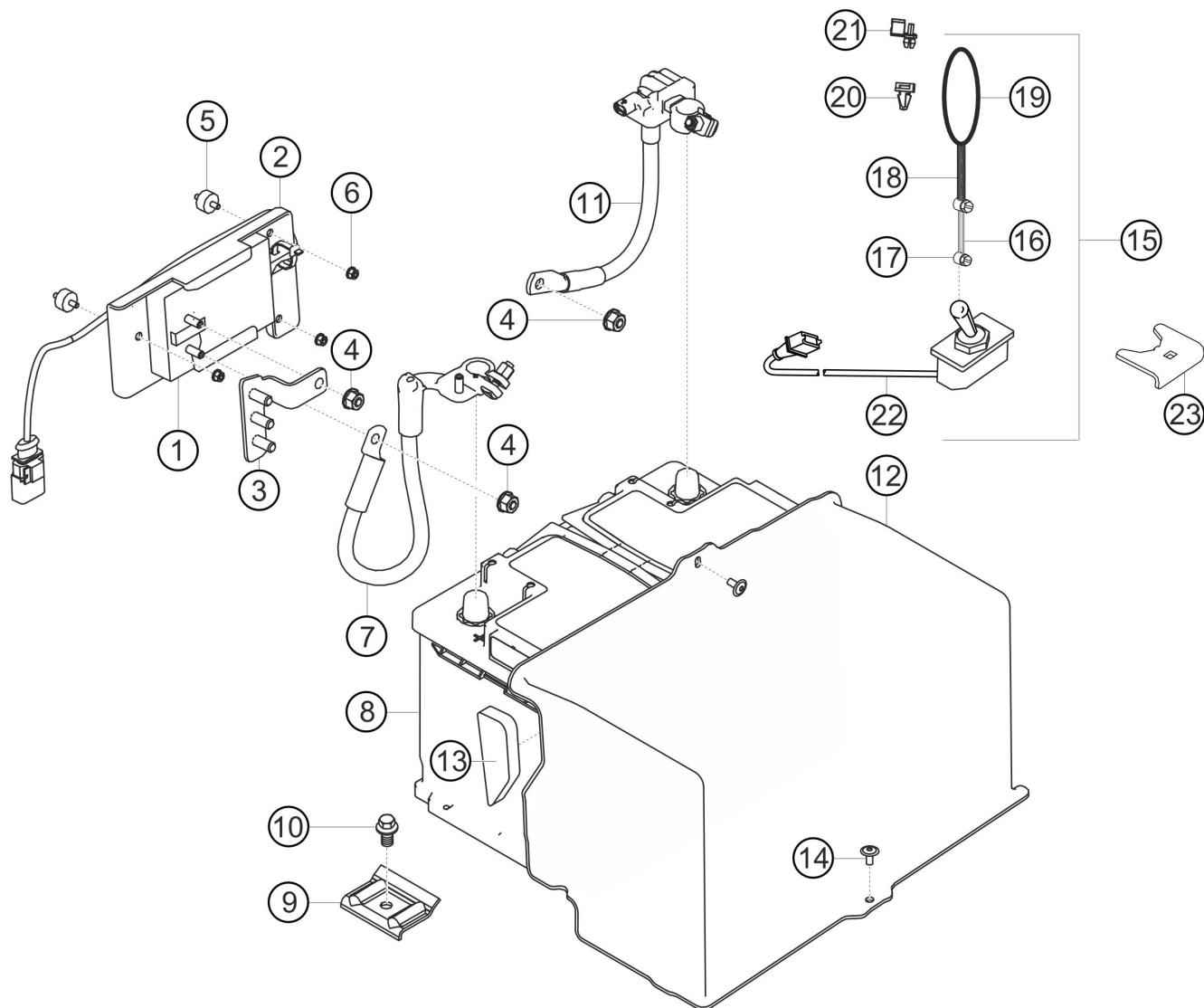
Item no.	Description	M	Pc.	Material
O.B.	HOUSING		1	433911075
O.B.	PAN-HEAD SCREW M6X12		1	90006700803
O.B.	HEXAGON-HEAD BOLT AM 8X12 EN1665 8.8 26B1 *		1	90037812301
O.B.	FUSE LINE	X	1	9916125378A
O.B.	BLANK HOLDER CABLE LOOM	X	3	9916128398A
O.B.	CABLE BINDER		10	99950709340
O.B.	CABLE BINDER 45 PA6.6 SW		10	99959112640
O.B.	SPACE WASHER B 8 *DIN137 FED- ST C390		1	N 0122418
1	HARNESS PASSENGER COMPART.	X	1	9F0970065B
2	HOLDER CABLE LOOM	X	2	9916127418B
3	CABLE LOOM MODULE FRONT END	X	2	9916123018C
4	LINE WHEEL CARRIER	X	2	9916129468A
5	LINE WHEEL CARRIER	X	1	9916129488D
6	CONNECTING CABLE STARTER	X	1	9916123958C
7	AS CABLE LOOM	X	1	9A16070758B
8	CABLE LOOM ENGINE	X	1	9A16070149D
9	AS GROUND CABLE BODY/ENGINE		1	9A160705800
10	Z HARNESS, TRANSM.	X	1	9F0971771E
11	FUSE INSERT	X	1	99960706600
12	Z ADAPTER HARNESS	X	1	9F0971564

9.5 generator and starter



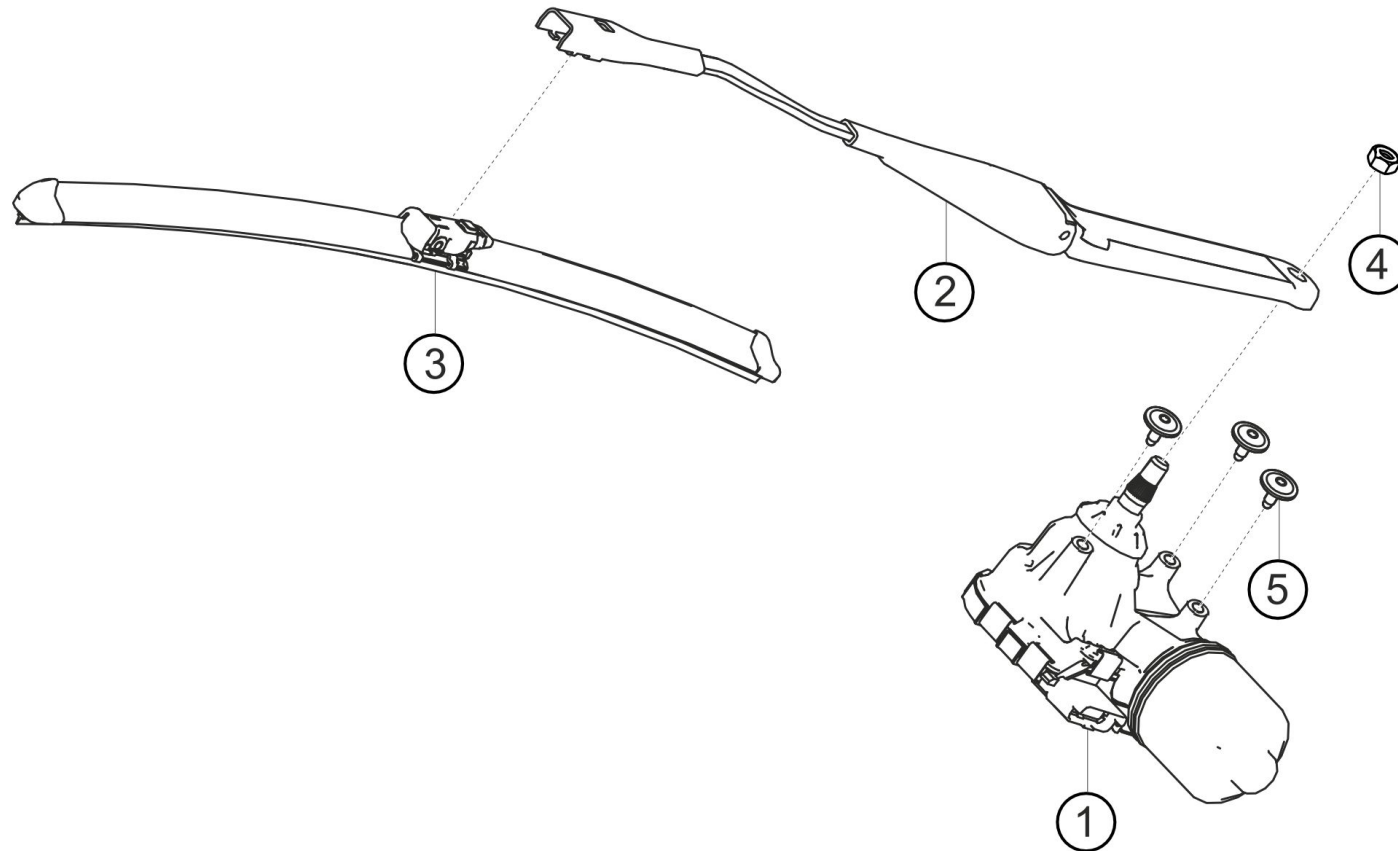
Item no.	Description	M	Pc.	Material
1	GENERATOR 175A		1	9A260301800
2	TORX SCREW BM 8X90		2	90038510201
3	HEX-HEAD NUT M8		2	N 10609207
4	STARTER		1	9A160410400
5	TORX SCREW BM10X35 D34801 10.9 26B1		2	90038509701
6	HEXAGON FLANGE NUT M6		1	N 01508210

9.6 battery and main relay



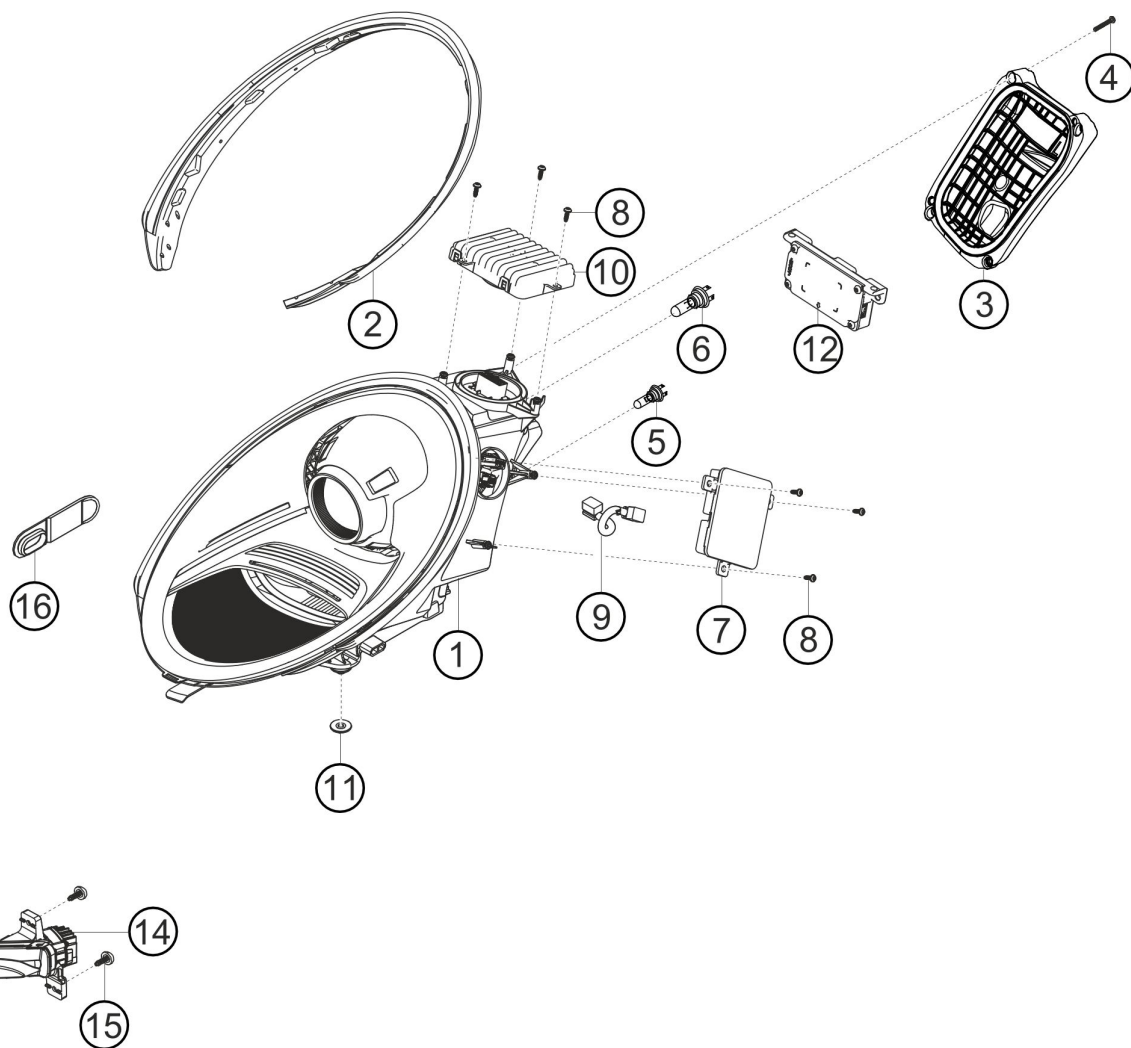
Item no.	Description	M	Pc.	Material
1	DISCONNECT SWITCH	X	1	9916111278D
2	HOLDER DISCONNECT SWITCH	X	1	9916115279A
3	CONTACT PLATE	X	1	9916111299A
4	HEX. NUT M 8 EN1661 10 R645		3	90037700301
5	DAMPER 20X10/M 5	X	3	99970350400
6	HEXAGON NUT M 5 EN1664 8 C350		3	90038000102
7	AS BATTERY CABLE		1	99661209009
8	BATTERY 12V70AH 430A(AGM)		1	992915105
9	FASTENING RAIL BATTERY		1	99661120901
10	HEX-HEAD SCREW M8X20 8.8		1	90037801701
11	Ground strap		1	9A791518110
12	COVERING BATTERY	X	1	9916111708A
13	FOAM PART BATTERY	X	1	9916111738A
14	SCREW FILL. HD. M5X12 8.8 S627		1	999073295A2
15	AS EMERGENCY SWITCH OUTER	X	1	9916131838D
16	STRAND 1,2mm	X	0,030	99959501900
17	RETAINER	X	2	99661132590
18	SPRING FOR EMERGENCY SHUTOFF	X	1	99661331790
19	SHRINK-HOSE	X	1000	99961507140
20	HOLDER 6,6 POM 130 SW		1	99951305740
21	CABLE HOLDER 5,0 POM 130 SW		1	99950750640
22	CONNECTING CABLE EMERGENCY SWITCH	X	1	9916123618A
23	SECURING PLATE ANTI-ROTATION DEVICE	X	1	9916134838B

9.7 windscreen wiper unit



Item no.	Description	M	Pc.	Material
1	WIPER SYSTEM	X	1	9916280358C
2	WIPER ARM	X	1	9916280298A
3	WIPER BLADE	X	1	99162815202
4	HEX. NUT M10 KLLN9338 1.7220.3	X	1	90081702101
5	SCREW FILL. HD. M6X20-SC 8.8 26D1		3	99907332202

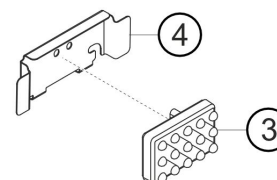
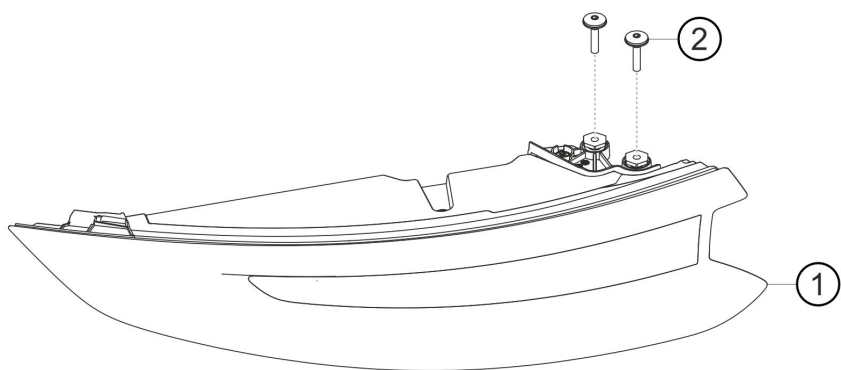
9.8 headlight



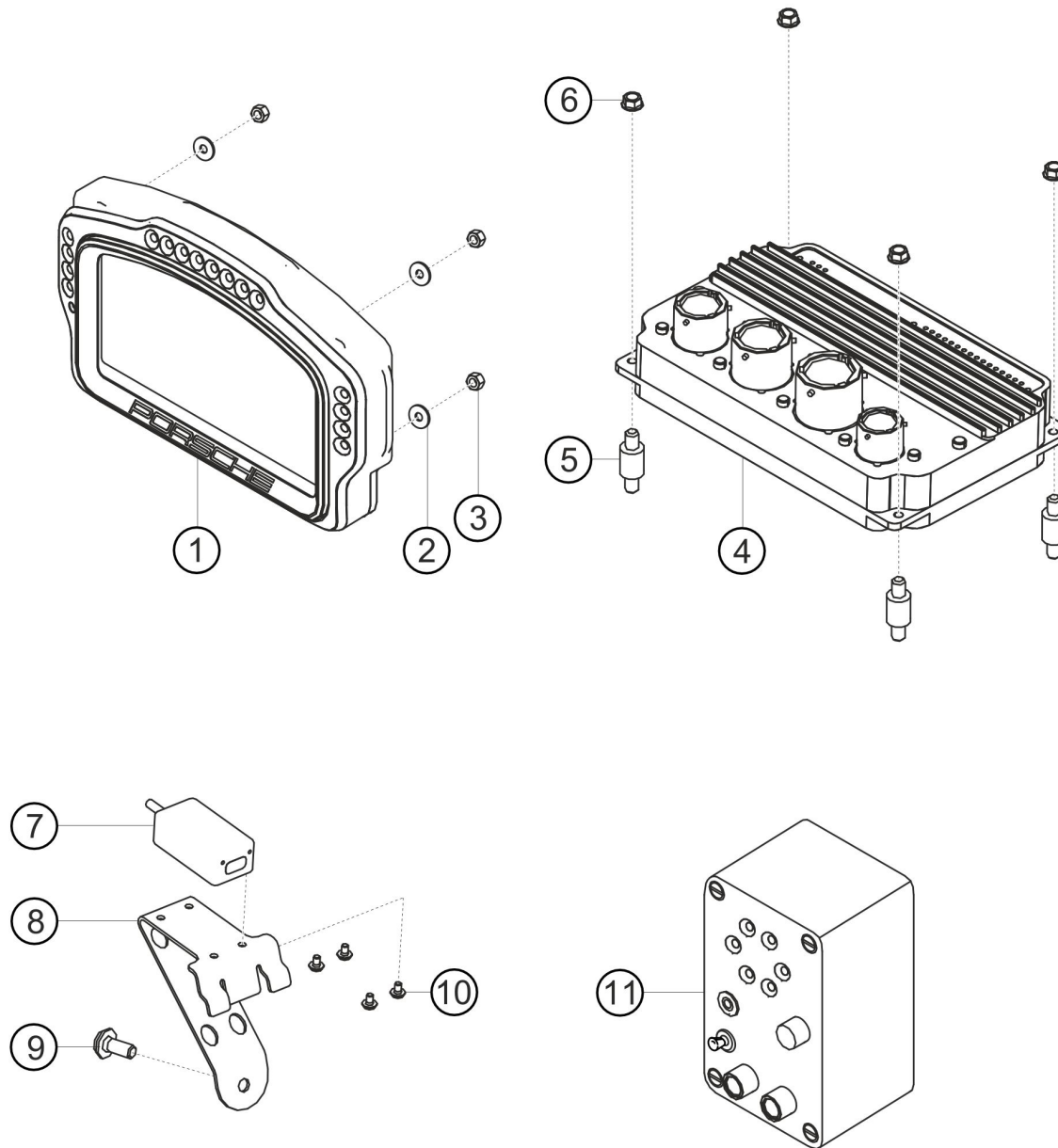
Item no.	Description	M	Pc.	Material
1	MAIN HEADLAMP RHT,LH,XENON		1	99163121102
1	MAIN HEADLAMP RHT,RH,XENON		1	99163121202
2	CD-SEALING MAIN HEADLAMP LEFT		1	99163131502
2	CD-SEALING MAIN HEADLAMP		1	99163131602
3	CAP MAIN HEADLAMP		1	99163134101
3	CAP MAIN HEADLAMP		1	99163134201
4	SCREW MOUNT PROTECTIVE CAP HEADLAMP		4	99163137700
5	LIGHT BULB H7 12V55W		1	99963113391
6	DISCHARGE BULB D3S 35W		1	99963107090
7	CONTROL UNIT HEADLAMP		1	99161832303
8	SCREW FILL. HD. 4,0X12,0		8	99991915909
9	CABLE CONTROL UNIT BULB		1	99163132300
10	CONTROL UNIT AUTOM.H/L LEVELLING		1	99161832733
11	LOCK NUT		2	99163137101
12	CONTROL UNIT,LIGHT		1	7PP941597B
13	AS TURN SIGNAL LIGHT LEFT		1	982953351
13	AS TURN SIGNAL LIGHT RIGHT		1	982953352
14	LED MODULE TURN SIGNAL LIGHT LEFT		1	9P1953249
14	LED MODULE TURN SIGNAL LIGHT RIGHT		1	9P1953249A
15	OVAL-HEAD SCREW 6,0X18,0-Q		3	99991924601
16	PLUG ADJUST.MAIN HEADLAMP		1	99163110100

9.9 rearlight

Item no.	Description	M	Pc.	Material
1	AS TAIL LAMP LEFT		1	99163197302
1	AS TAIL LAMP RIGHT		1	99163197402
2	COMBINATION SCREW M5X46-ZL PN1644 8.8 S99-Y		2	99907355101
3	RAIN LAMP	X	1	9916315518B
4	BRACKET	X	1	9F0807286

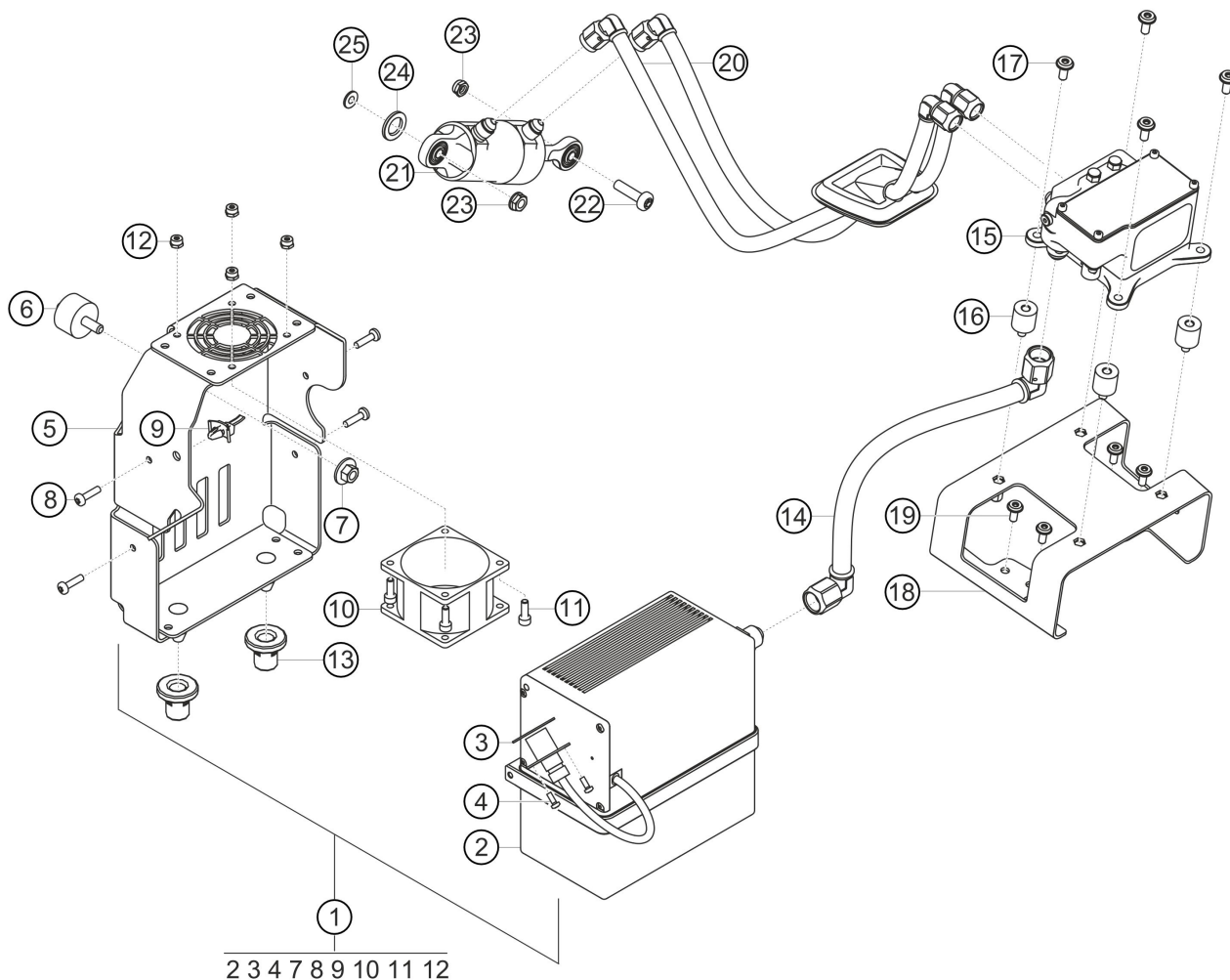


9.10 display system



Item no.	Description	M	Pc.	Material
1	DISPLAY UNPROGRAMMED	X	1	9F0919617C
2	WASHER 4 I 7093 200HV C343		4	90015102801
3	LOCK NUT M 4 I10511 6 C34G		4	90008402001
4	EL. CONTROL UNIT ELECTRIC SYSTEM	X	1	9F0907701
5	DAMPING DEVICE	X	4	9916417298A
6	HEXAGON HEAD BOLD M 4 O. KLLN9338 1.7220.3 *	X	4	90081701101
7	RECEIVER LAP TIME	X	1	9916412338D
8	HOLDER RECEIVER	X	1	9916413338A
9	SCREW M5X16 8.8 26D1		1	99907326909
10	HEXAGON HEAD BOLD M4X6 8.8 26D1	X	4	99907328309
11	TRANSMITTER LAP TIME	X	1	9916412348A

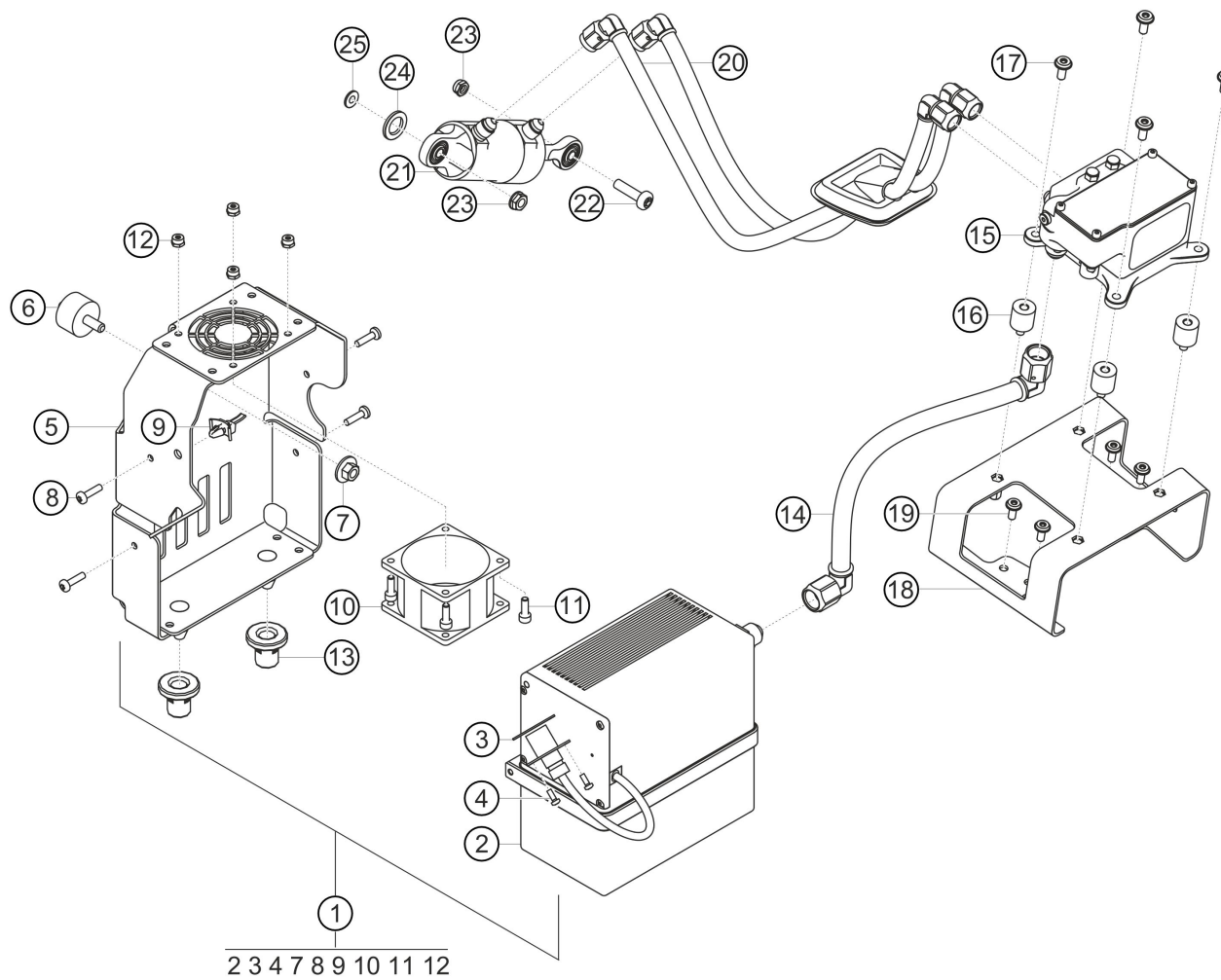
9.11 paddle shift system



Item no.	Description	M	Pc.	Material
1	AS COMPRESSOR CPL.	X	1	9916181558D
2	AS COMPRESSOR SHIFT	X	1	9916183558B
3	FASTENING PLATE 10ER NUT PLATES M3X8	X	1	9R661273700
4	PAN-HEAD SCREW M3X 8 I14583 8.8 26D1	X	2	99907339801
5	HOLDER COMPRESSOR	X	1	9916187478B
6	99970348602	X	1	99970348602
7	HEXAGON NUT M 6-S-SB * 8/200HV		1	99907607102
8	SCREW M4X12 8.8 26D1	X	4	99907353201
9	TIE-WRAP 2,0-27 PA66 NF		1	99951306840
10	AS VENTILATOR COMPRESSOR	X	1	9916182498A
11	PAN-HEAD SCREW M4X14 I 4762 8.8 R677		4	90006743601
12	LOCK NUT M 4 I10511 6 C34G		4	90008402001
13	BUSH 12X25,6X17 EPDM-G45 SW		2	99970326740
14	AIR LINE COMPRESSOR - VALVE BLOCK	X	1	9916187858E
15	VALVE BLOCK	X	1	9916184718B
16	BONDED RUBBER MOUNTING 15X15/M 5 NR/ST C010		4	99970319301
17	SCREW FILL. HD. M5X20	X	4	999073270A2
18	HOLDER VALVE BLOCK	X	1	9916187958C
19	SCREW FILL.HD. M5X12 8.8 26D1		4	99907326809
20	SET AIR LINE VALVE BLOCK - SLAVE CYLINDER	X	1	9916184858H
21	SLAVE CYLINDER TRANSMISSION	X	1	9916053108F
22	SCREW SLAVE CYLINDER TRANSMISSION	X	1	9916065618A
23	HEX. NUT M6 LN9338 1.7220.3	X	2	90081700102

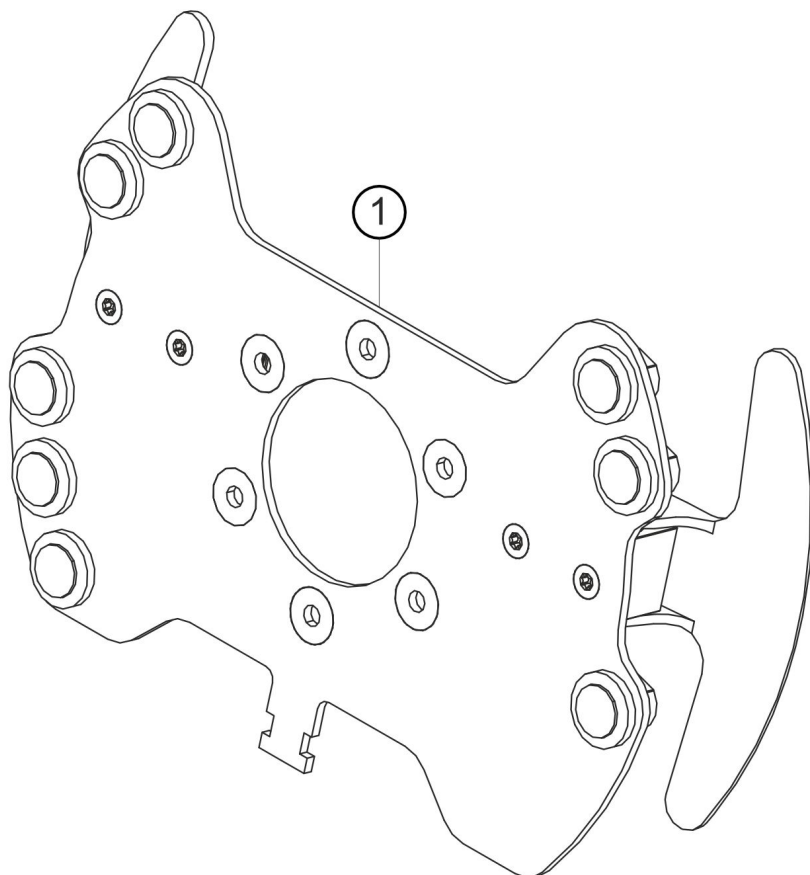
9.11 paddle shift system

Item no.	Description	M	Pc.	Material
24	SPACER SHIFT COUPLING	X	1	9916055118B
25	WASHER		1	N 01152427

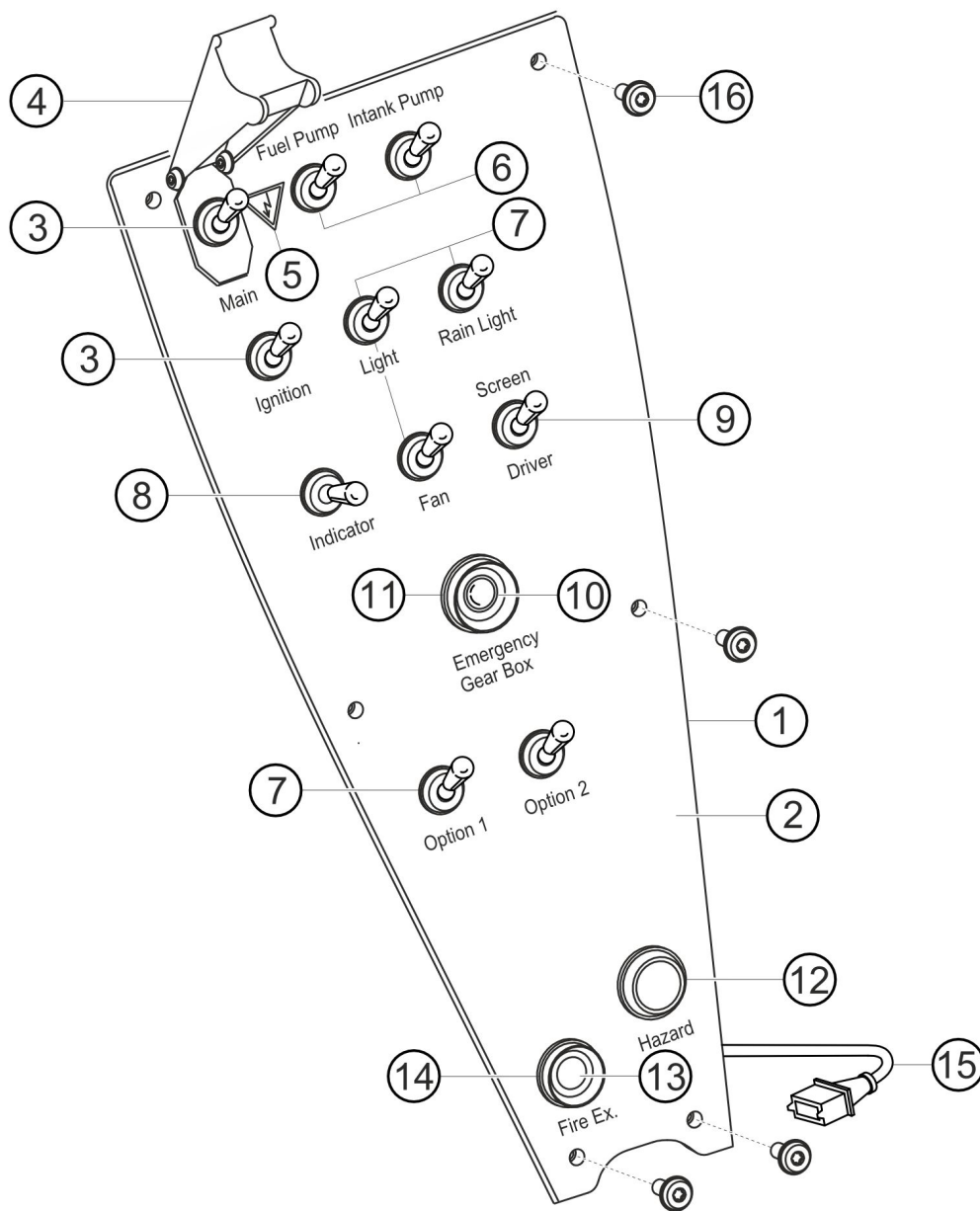


9.12 switch plate steering wheel

Item no.	Description	M	Pc.	Material
1	AS SWITCH PLATE STEERING WHEEL	X	1	9916415738H



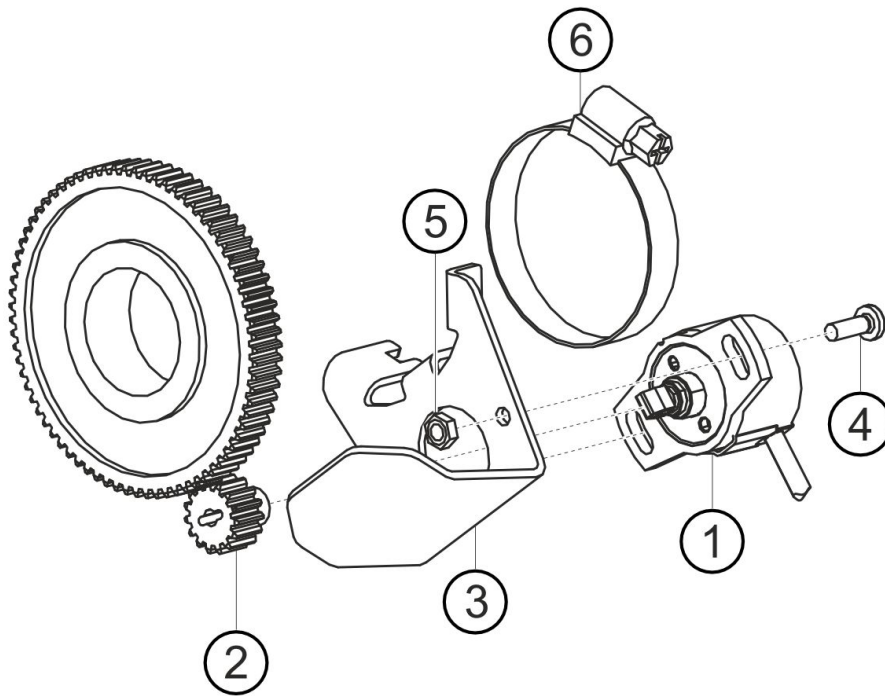
9.13 support-plate center console



Item no.	Description	M	Pc.	Material
1	AS SWITCH PLATE CENTER CONSOLE	X	1	9916131858K
2	SWITCH PLATE CENTER CONSOLE		1	9916412458E
3	TOGGLE SWITCH ON/OFF	X	2	9916132618A
4	PROTECTING SHIELD	X	1	9916132838A
5	STICKER INNER	X	1	9910065098A
6	CHANGE-OVER SWITCH	X	2	9916133558A
7	SWITCH	X	5	9916133618A
8	CHANGE-OVER SWITCH RIGHT	X	1	9916133658A
9	CHANGE-OVER SWITCH LEFT	X	1	9916133578A
10	PRESSURE SWITCH	X	1	9917224278A
11	PROTECTING FRAME	X	1	9917224358A
12	EMERG.FLASHER SWITCH	X	1	9916131248A
13	SWITCH FIRE EXTINGUISHER	X	1	9917224238A
14	PROTECTING FRAME	X	1	9917224258A
15	CABLE LOOM SWITCH PLATE CENTER CONSOLE		1	9916128138J
16	SCREW FILL.HD. M5X12 8.8 26D1		6	99907326809

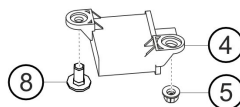
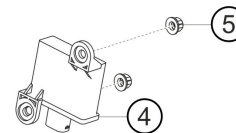
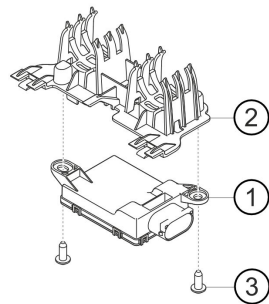
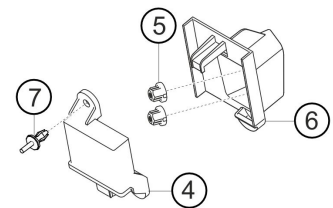
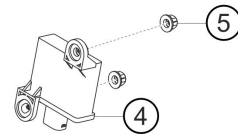
9.14 steering angle sensor

Item no.	Description	M	Pc.	Material
1	AS STEER-ANGLE SENS.	X	1	9916414118D
2	SET GEAR WHEELS STEERING ANGLE SENSOR	X	1	9916413758C
3	HOLDER STEER-ANGLE SENSOR	X	1	9916417538B
4	ROUND HEAD SCREW M4X12 I14583 8.8 26D1		2	99907345601
5	HEXAGON NUT M 4 I 4032 8 R645	X	2	N 01100412
6	HOSE CLAMP		1	99951249900



9.15 tire pressure monitoring system

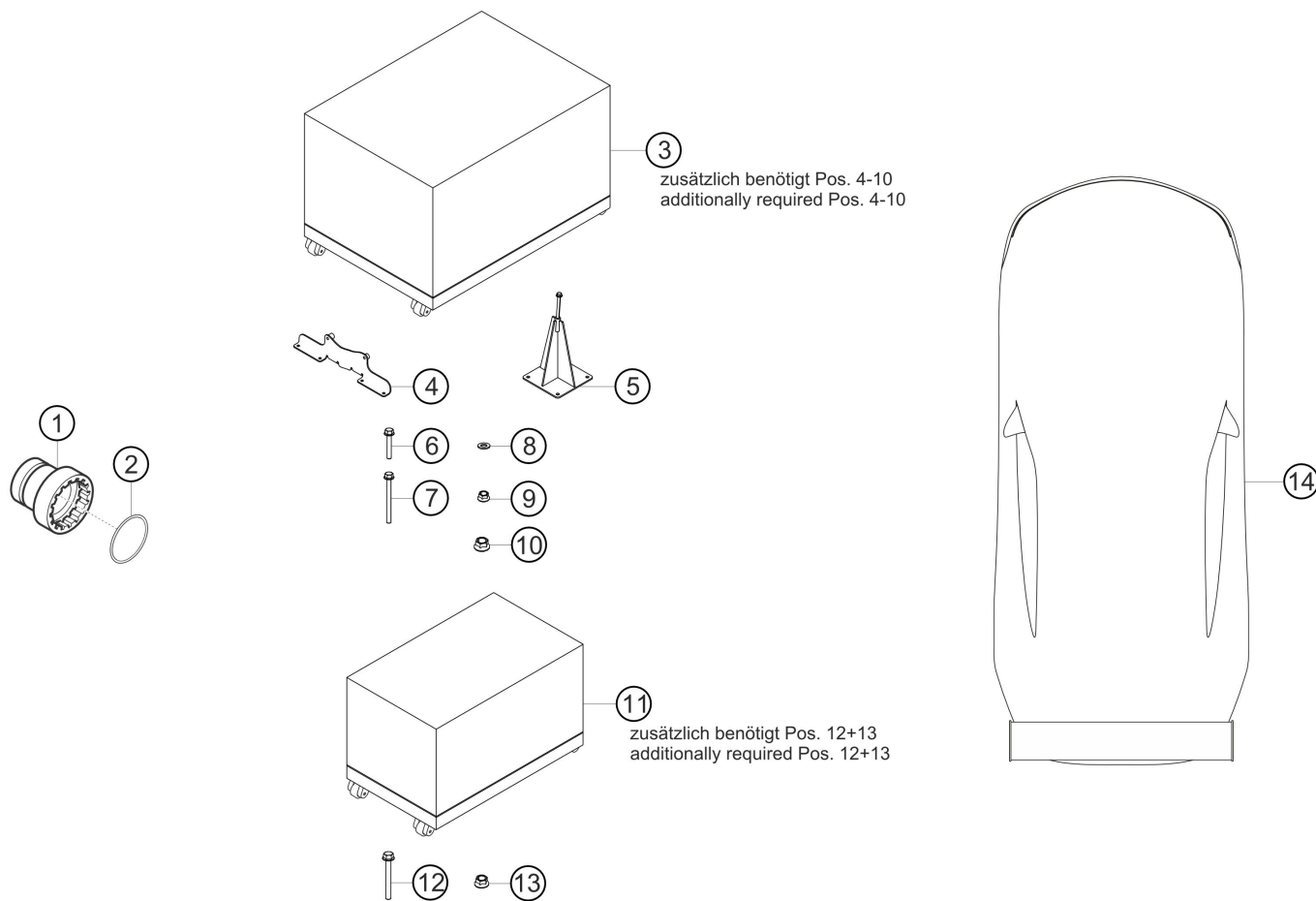
Item no.	Description	M	Pc.	Material
1	CONTROL UNIT INFLATION CHECK	X	1	9916181049A
2	HOLDER ECU TPMS		1	99161825900
3	SCREW FILL. HD. 6,0X16,0		2	99991913409
4	TRANSMITTER		4	9A790728300
5	PLASTIC NUT		8	99907608140
6	HOLDER RECEIVER UNIT TPMS		1	99160624200
7	EXPANSION RIVET		1	99950719640
8	HEXAGON-HEAD SCREW M 6X16		1	90037815501



Kapitel Räder
chapter wheels

10 accessories and options

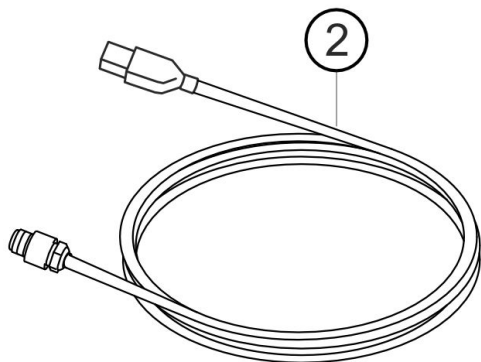
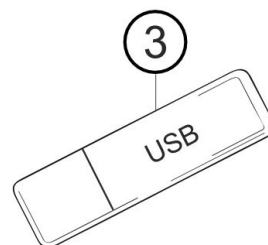
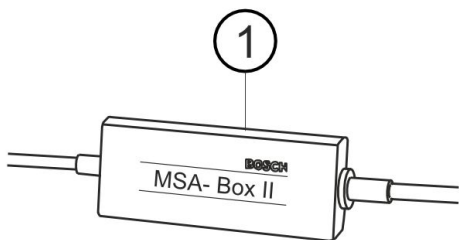
10.1 accessories



Item no.	Description	M	Pc.	Material
1	WRENCH SOCKET CENTER LOCK	X	1	9974501699B
2	ROUND CORD	X	1	9974501719A
3	TRANSPORT BOX ENGINE	X	1	9911001755A
4	HOLDER FLYWHEEL	X	1	9911003517A
5	HOLDER EXHAUST SYSTEM	X	2	9911003527A
6	HEXAGON-HEAD BOLT		12	90007438001
7	HEX-HEAD SCREW M10X110 10.9		2	90037829401
8	WASHER A10,5 I 7089 200HV		12	90002500803
9	HEXAGON NUT M10 D 6923 10 26B1		12	90037701101
10	HEX. NUT M12X1,5 O. KLLN9338 1.7220.3*	X	2	90081702001
11	TRANSPORT BOX TRANSMISSION	X	1	9913001969A
12	HEXAGON-HEAD BOLT AM10X70 EN1665 10.9 26B1		2	90037825501
13	HEX. NUT M10 KLLN9338 1.7220.3	X	2	90081702101
14	CAR COVER CUP	X	1	9917210508A

10.2 electrical accessories

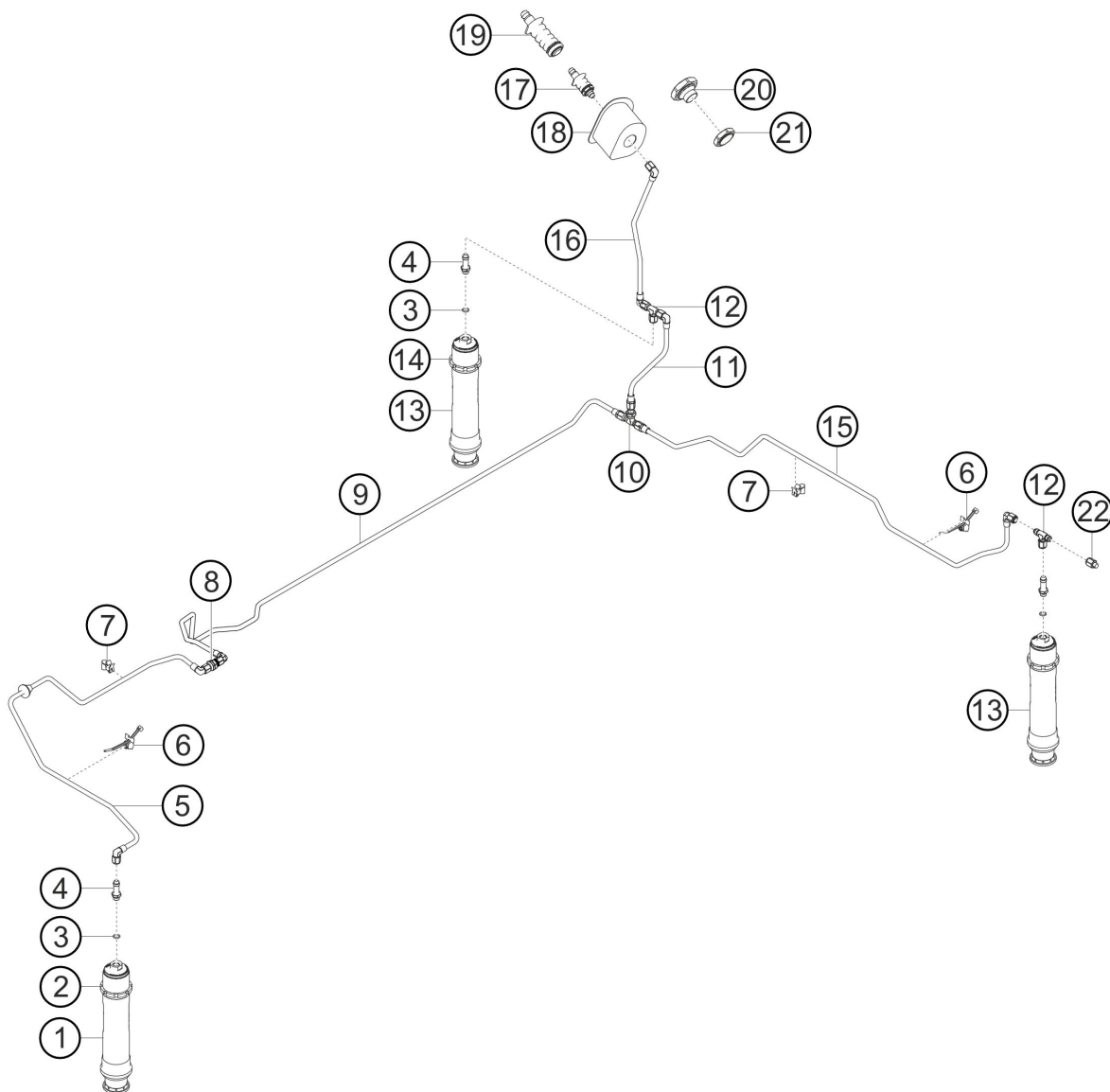
Item no.	Description	M	Pc.	Material
1	DIAGNOSTIC CABLE MSA BOX 2 RACECON	X	1	9976189099A
2	DIAGNOSTIC CABLE COSWORTH	X	1	9916412398A
3	USB STICK	X	1	9916188158B



10.3 greases and liquides

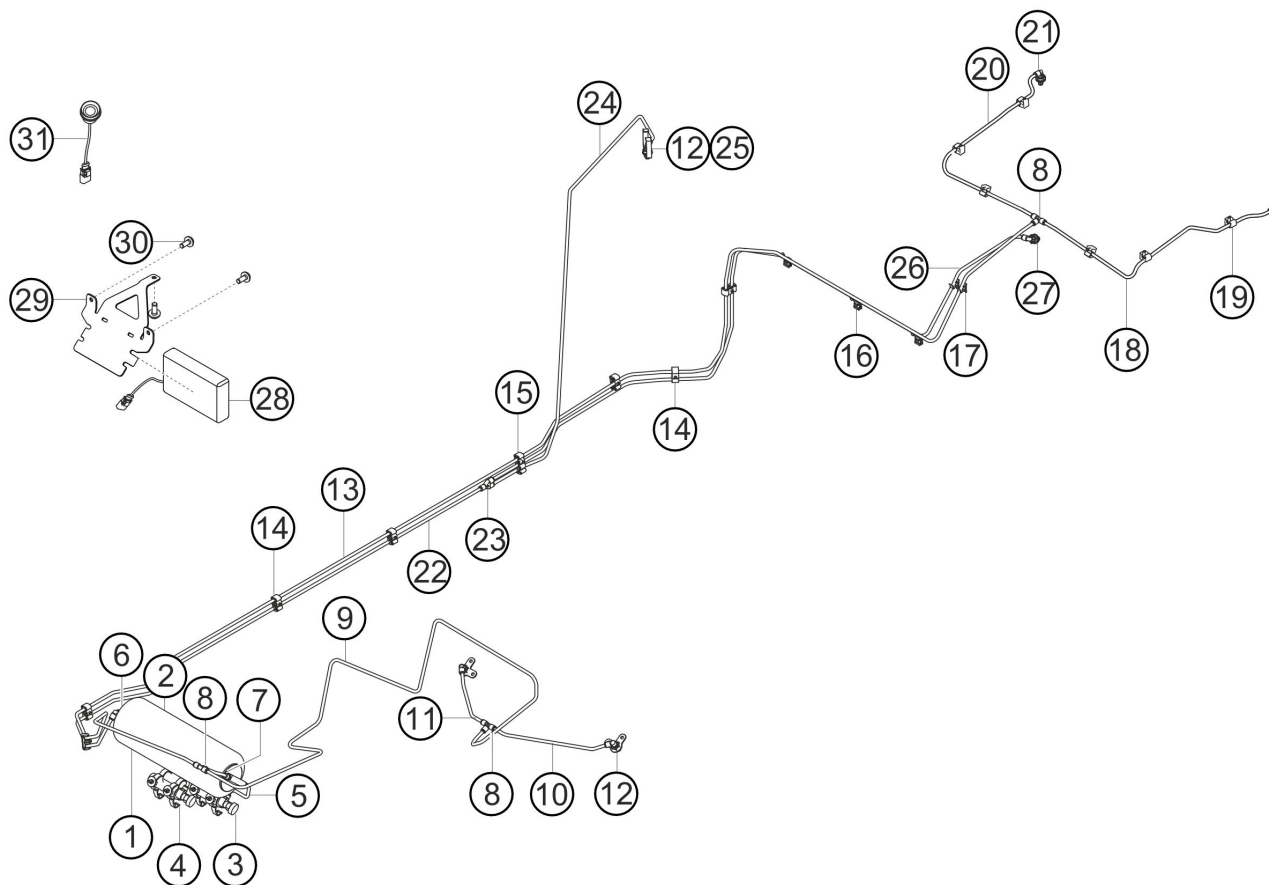
Item no.	Description	M	Pc.	Material
1	COPPER PASTE OPTIMOLY HT		1	00004300400
2	WHEEL NUT GREASE		1	00004330508
4	PENTOSIN		1	00004330574
5	BRAKE FLUID 0,5L	X	4	9913559608A
6	TRANSMISSION OIL MOBILUBE 1SHCSAE75W-90	X	1	99991706200
7	CORROSION PROTECTION COOLANT	X	1	99710690790

10.4 airjack system



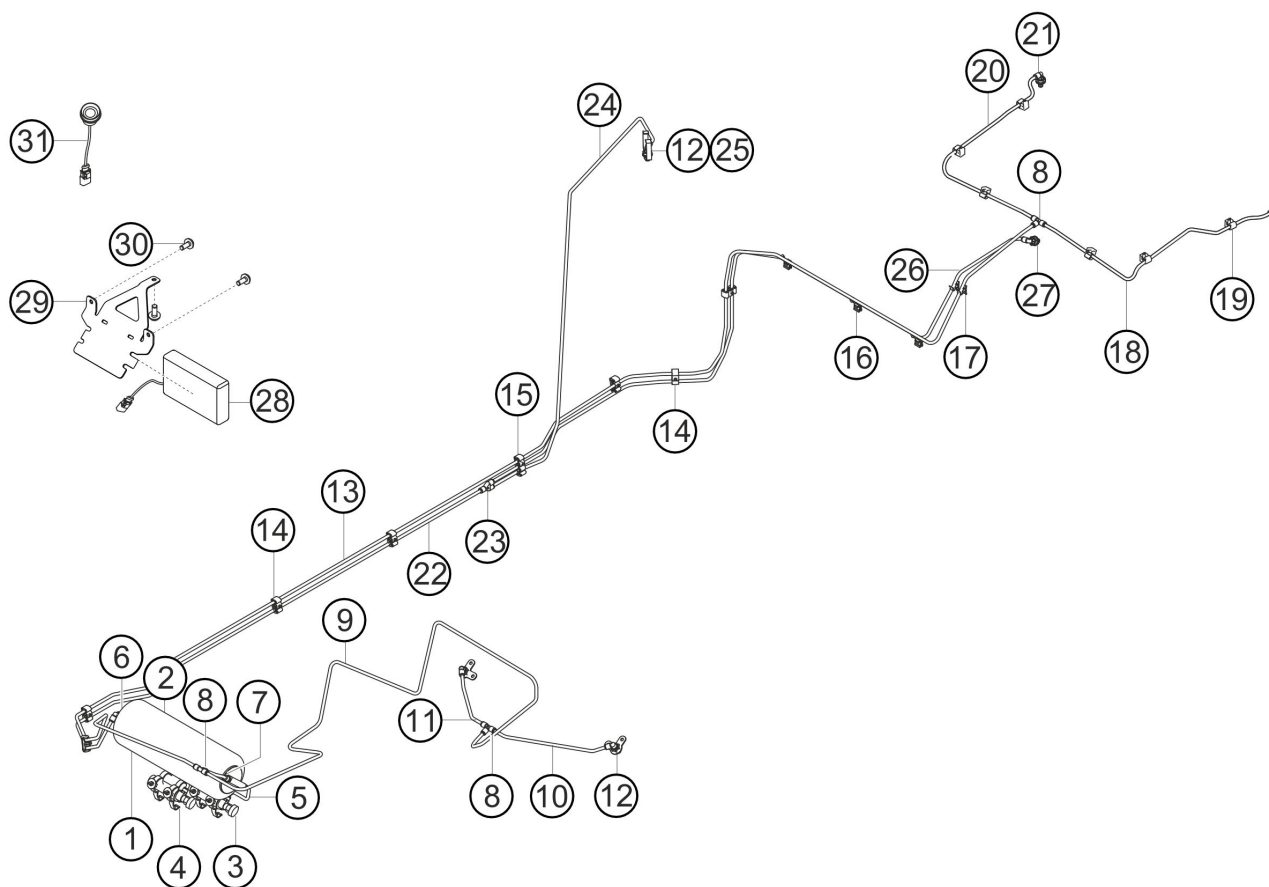
Item no.	Description	M	Pc.	Material
1	LIFTING CYLINDER FRONT	X	1	9915831138A
2	COUNTERNUT 50MM	X	1	99758351590
3	O-RING 11,30x2,4	X	3	99970101140
4	SPACER PNEUMATIC JACK	X	3	9915835258A
5	AIR LINE FRONT	X	1	9915832038A
6	CABLE BINDER 45 PA6.6 SW		7	99959112640
7	CABLE CLIP	X	2	9916101378A
8	PASSAGE	X	1	9915835658A
9	AIR LINE CENTER	X	1	9915832018D
10	T-FITTING HEEL PLATE	X	1	9915835638A
11	AIR LINE REAR RIGHT	X	1	9915831078A
12	T-FITTING PNEUMATIC JACK REAR	X	2	9915835618A
13	LIFTING CYLINDER REAR	X	2	9915831118A
14	COUNTERNUT LIFTING CYLINDER	X	2	9915835178A
15	AIR LINE REAR LEFT	X	1	9915832058D
16	AIR LINE MAIN VALVE	X	1	9915831058A
17	MAIN VALVE	X	1	9915831038A
18	HANDLE RECESS VALVE/ PNEUMATIC JACK	X	1	9915041838A
19	AIR LANCE	X	1	9915831018A
20	PLUG	X	1	9915836038A
21	HEXAGON NUT M22X1,5	X	1	9915836058A
22	UNION NUT	X	1	9915837518A

10.5 fire extinguishing system



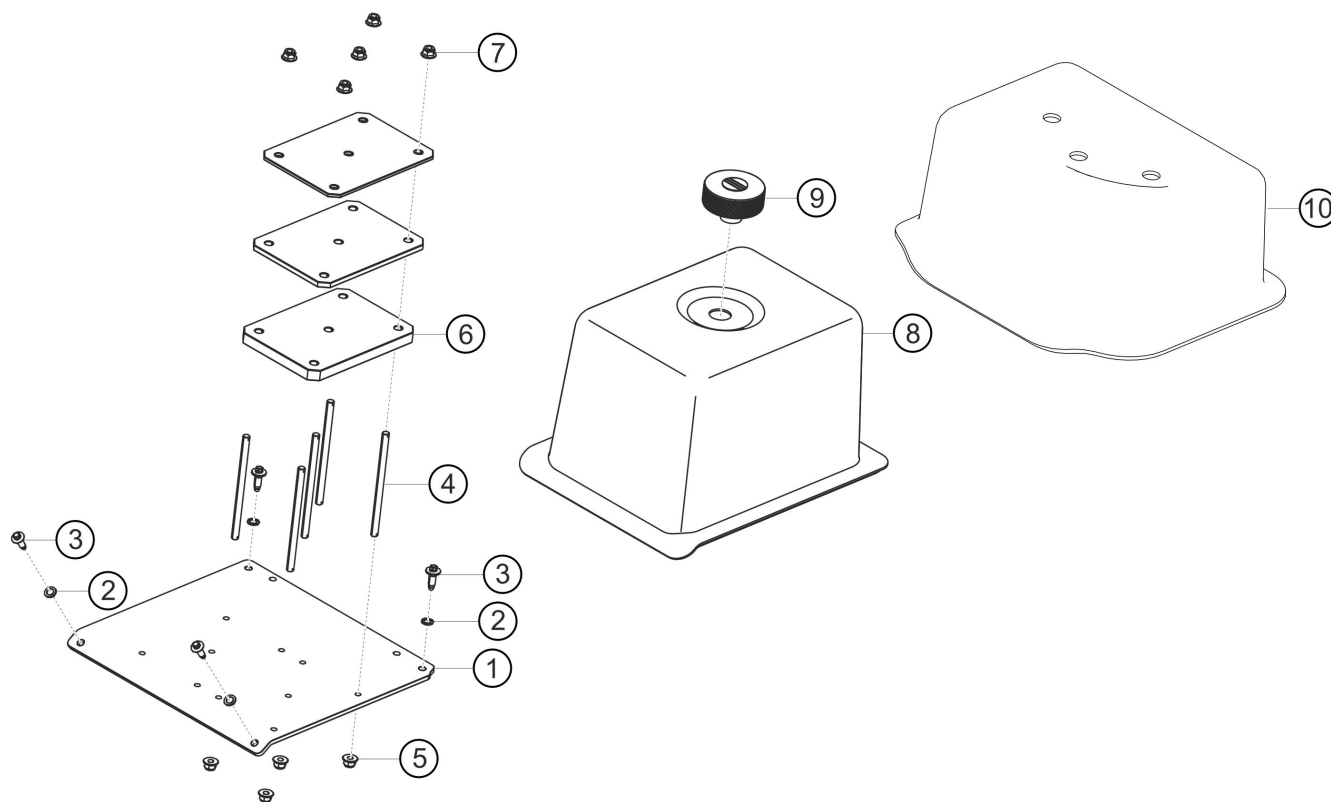
Item no.	Description	M	Pc.	Material
O.B.	ADHESIVE LABEL EMERGENCY STOP	X	1	9917012158A
1	EXTINGUISHER BOTTLE	X	1	9917221158A
2	CLAMP FIRE-EXTINGUIS.SYST.	X	2	9917221238A
3	PRESSURE TANK	X	2	9917225258A
4	CABLE TIE 85	X	4	99965140640
5	TUBE 11 L=220MM FIRE-EXTINGUIS.SYST.	X	1	9917226318A
6	TUBE 12 L=180MM FIRE-EXTINGUIS.SYST.	X	1	9917226338A
7	TUBE 1 L=90MM FIRE-EXTINGUIS.SYST.	X	1	9917226118A
8	LINE FIRE EXTINGUISHER	X	3	9917227518A
9	TUBE FIRE-EXTINGUIS.SYST.	X	1	9917226138A
10	TUBE FIRE-EXTINGUIS.SYST.	X	1	9917226178A
11	TUBE FIRE-EXTINGUIS.SYST.	X	1	9917226158A
12	NOZZLE FIRE-EXTINGUIS.SYST.	X	3	9917224178A
13	TUBE 5 L=3500MM FIRE-EXTINGUIS.SYST.	X	1	9917226198B
14	BRACKET		9	8K0611797G
15	BRACKET		1	8K0611797F
16	CABLE TIE BASE	X	3	3D0971838M
17	HOLDER - HOSE 6,0/50,0PN 910 POM-C/PA12SW		2	99951125740
18	TUBE 7 L=560MM FIRE-EXTINGUIS.SYST.	X	1	9917226238A
19	BRACKET DRIVE		6	95B611797
20	TUBE 7 L=560MM FIRE-EXTINGUIS.SYST.	X	1	9917226238A
21	NOZZLE ENGINE BAY	X	2	9917224198A
22	TUBE 8 L=1610MM FIRE-EXTINGUIS.SYST.	X	1	9917226258A

10.5 fire extinguishing system



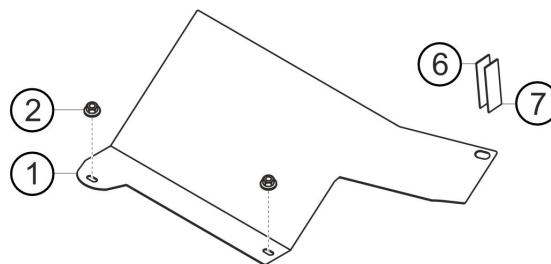
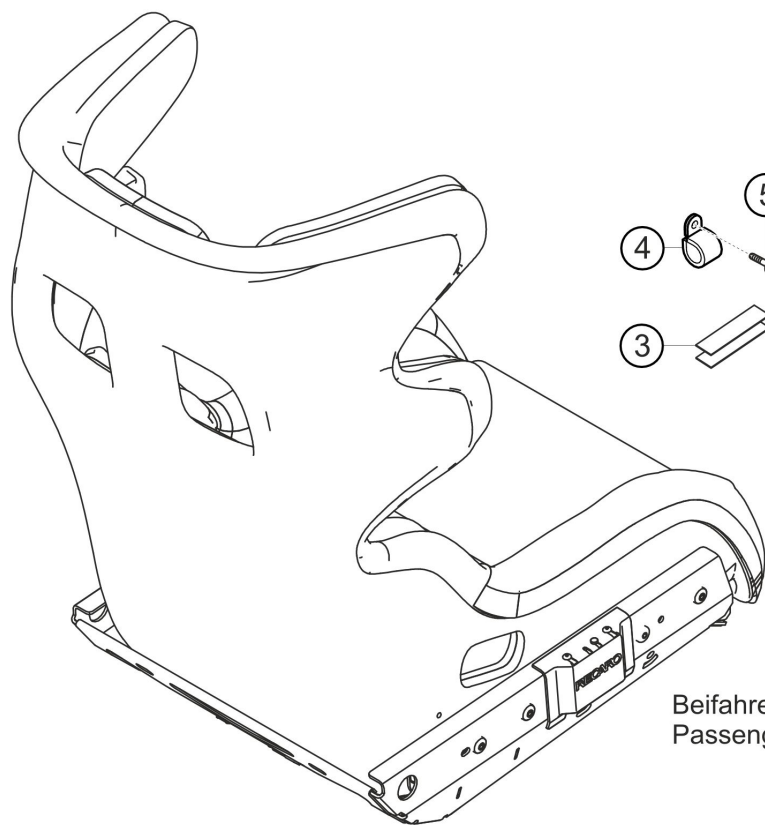
Item no.	Description	M	Pc.	Material
23	LINE FIRE EXTINGUISHER	X	1	9917227538A
24	TUBE FIRE-EXTINGUIS.SYST.	X	1	9917226278A
25	HOLDER FIRE-FIGHTING JET	X	1	9917228718B
26	TUBE FIRE-EXTINGUIS.SYST.	X	1	9917226298A
27	NOZZLE ENGINE BAY	X	1	9917224198B
28	RELEASE DEVICE	X	1	9917223158B
29	HOLDER RELEASE DEVICE	X	1	9917228738A
30	SCREW M5X16 8.8 26D1		3	99907326909
31	SWITCH FIRE EXTINGUISHER	X	1	9917224298B

10.6 option additional weights



Item no.	Description	M	Pc.	Material
1	BASE PLATE AUXILIARY WEIGHT	X	1	9915048477B
2	WASHER 10,5X25		4	99902526402
3	TORX SCREW M10X40 10.9		4	9A700744300
4	THREADED BOLT	X	5	9975048429A
5	HEX-HEAD NUT M12X1,5		5	90038001001
6	AUXILIARY WEIGHT 2KG/6MM	X	1	99150484800
6	AUXILIARY WEIGHT 3,5KG/10MM	X	1	99150484801
6	AUXILIARY WEIGHT BIG 6,8KG/20MM	X	1	99150484802
7	HEXAGON NUT M 12X1,5	X	5	N 0150816
8	COVERING AUXILIARY WEIGHT	X	1	9915048659B
9	KNURLED NUT COVERING	X	1	9915048529B
10	COVERING AUXILIARY WEIGHT	X	1	9915048657A

10.7 option passenger seat

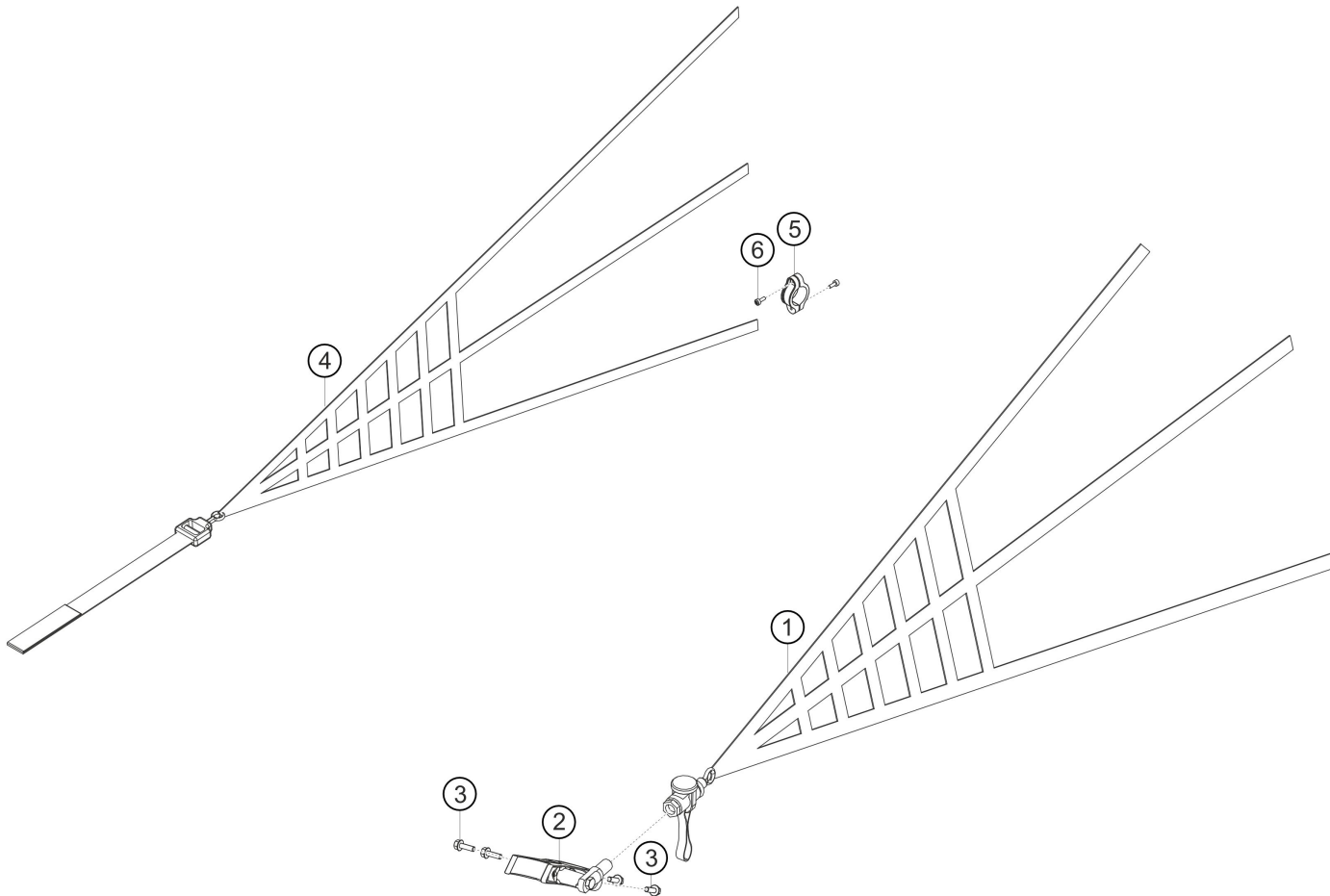


Beifahrersitz und Sicherheitsgurt identisch mit Fahrersitz
 Passenger seat and safety belt identical to driver seat

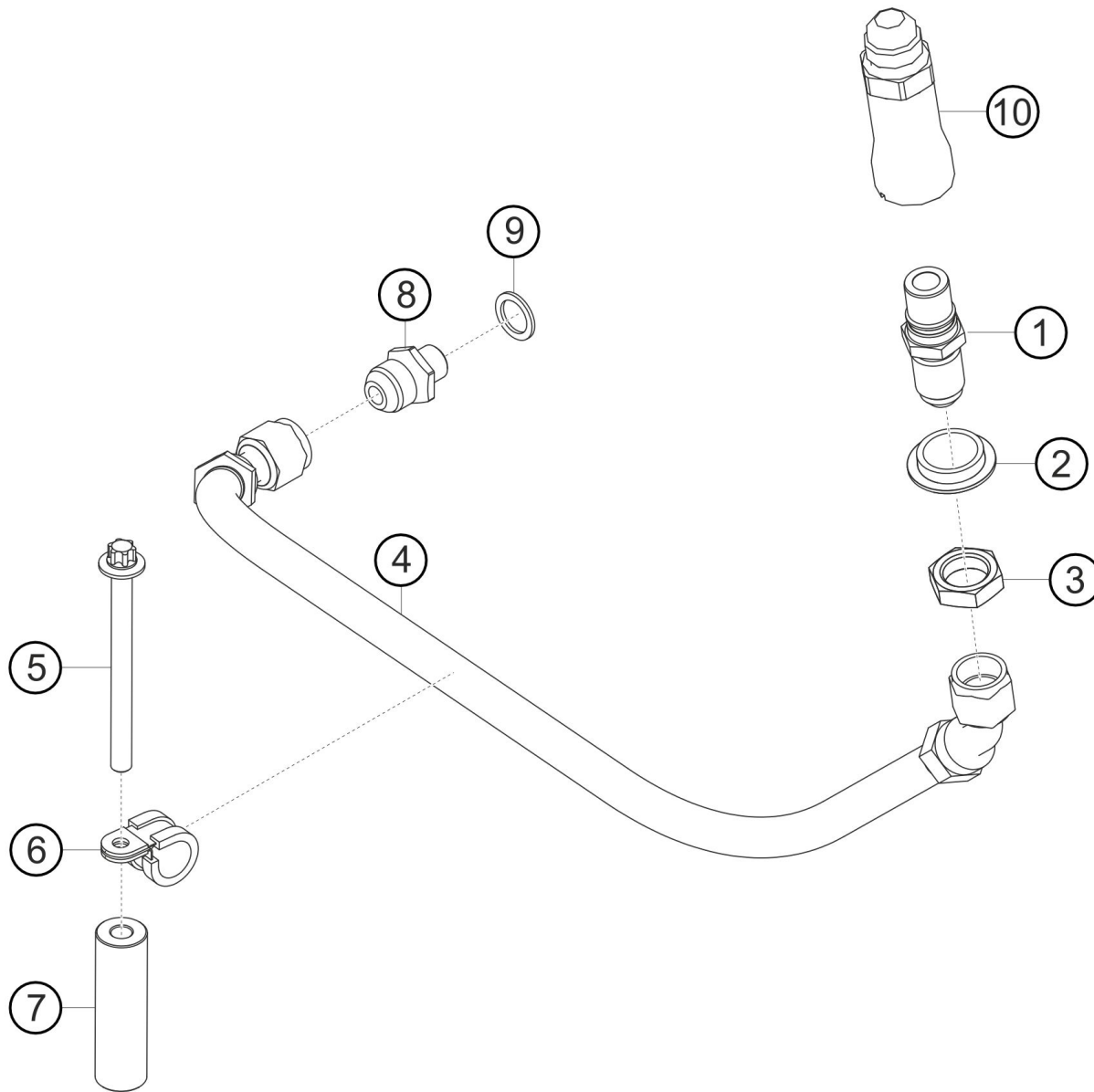
Item no.	Description	M	Pc.	Material
1	COVERING FIRE EXTINGUISHER	X	1	9917224058A
2	PLASTIC NUT T6/22X10,5 PA66 GRAU		2	99904903240
3	VELCRO FASTENER 25,4	X	1000000	99990203840
4	CLIP 28x15		1	99951108702
5	OVAL HEAD SCREW M5X16 8.8 S627 *	X	1	999073446A2
6	TEXTILE FASTENER	X	62500	9963143139A
7	TEXTILE FASTENER	X	62500000	9963143159A

10.8 option safety net

Item no.	Description	M	Pc.	Material
1	AS SAFETY NET SIDE	X	1	9917225217A
2	F-KIT HOLDER SEAT BELT	X	1	9917225117C
3	N 10571902	X	4	N 10571902
4	AS SAFETY NET CENTER	X	1	9917225237A
5	BELT ATTACHMENT SAFETY CAGE	X	2	9917225137C
6	PAN-HEAD SCREW M6X20		2	N 10653601

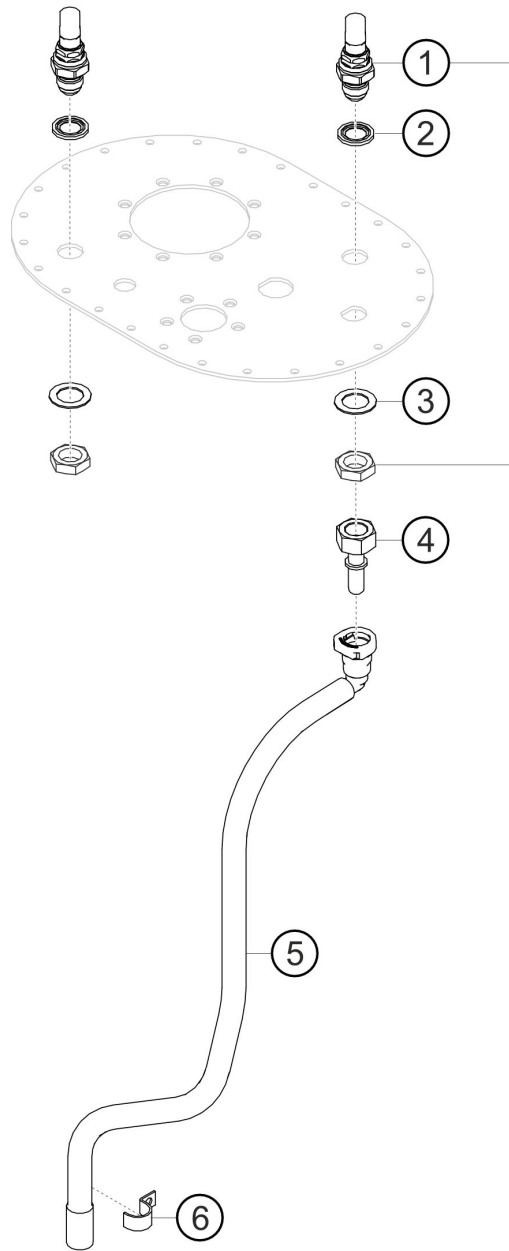


10.9 option oil quick-filling kit



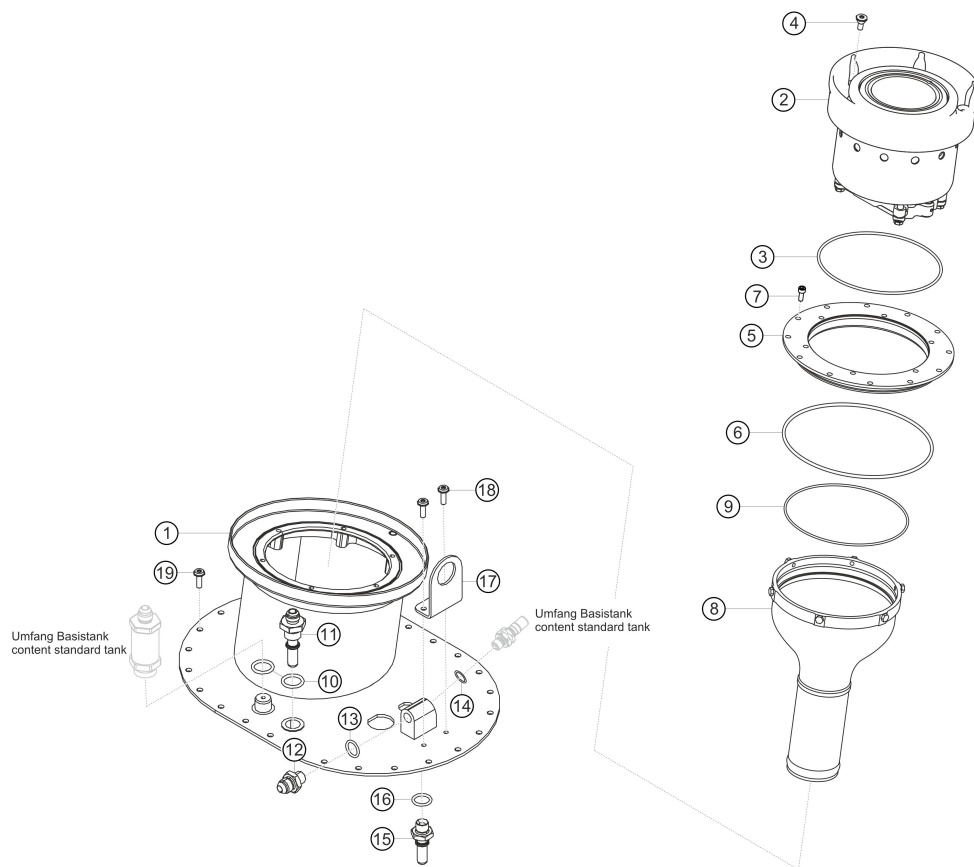
Item no.	Description	M	Pc.	Material
1	QUICK-REL. COUPLING	X	1	9A12076419A
2	SPACER	X	1	9A12076539A
3	NUT QUICK-REL. COUPLING	X	1	9A12076439A
4	SUPPLY HOSE	X	1	9A12071619A
5	TORX SCREW BM 8X95		1	90038501409
6	N 10160002	X	1	N 10160002
7	SPACER SLEEVE	X	1	9A12075079A
8	SLEEVE	X	1	99910506830
9	SEALING RING 14X20		1	90012311121
10	9912070339A	X	1	9912070339A

10.10 option defueling-kit standard tank



Item no.	Description	M	Pc.	Material
1	QUICK RELEASE COUPLING	X	2	9971101918C
2	SEALING WASHER	X	2	9912018839A
3	WASHER 20X30.8X1.2	X	2	WHT004800
4	ADAPTER PIECE	X	1	9F0201156
5	HOSE	X	1	9F0201627
6	CLAMP 1X18	X	1	90017101401

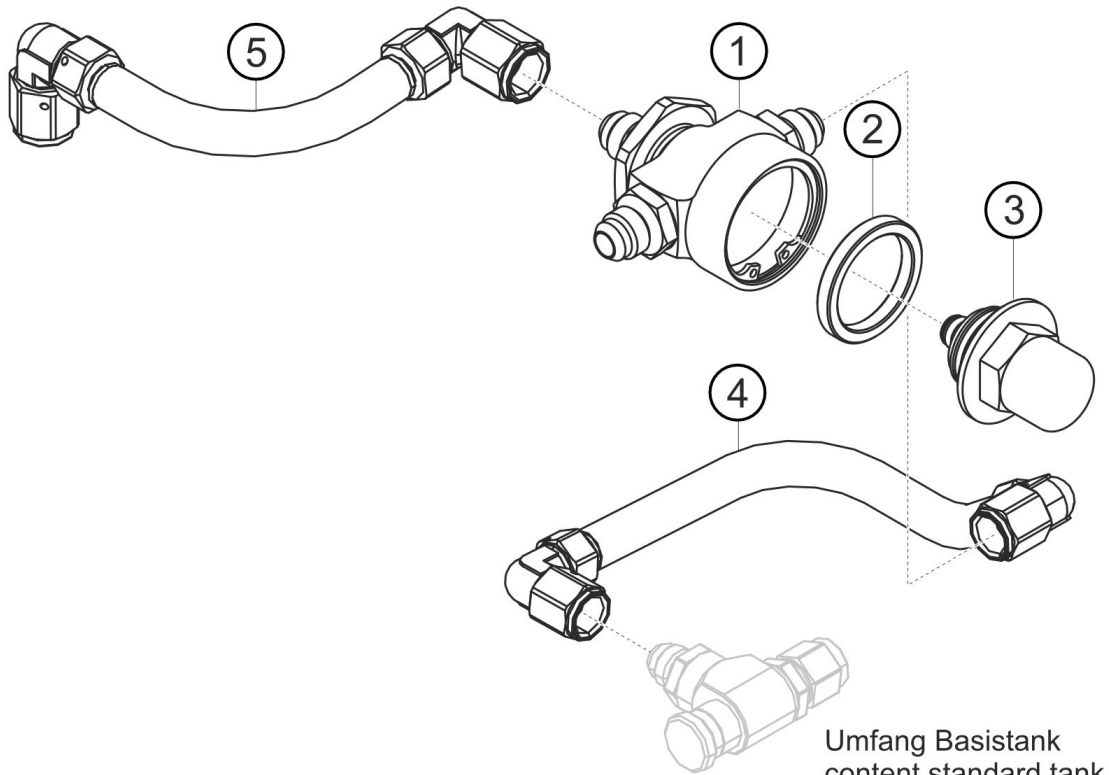
10.11 option filling-valve long distance tank



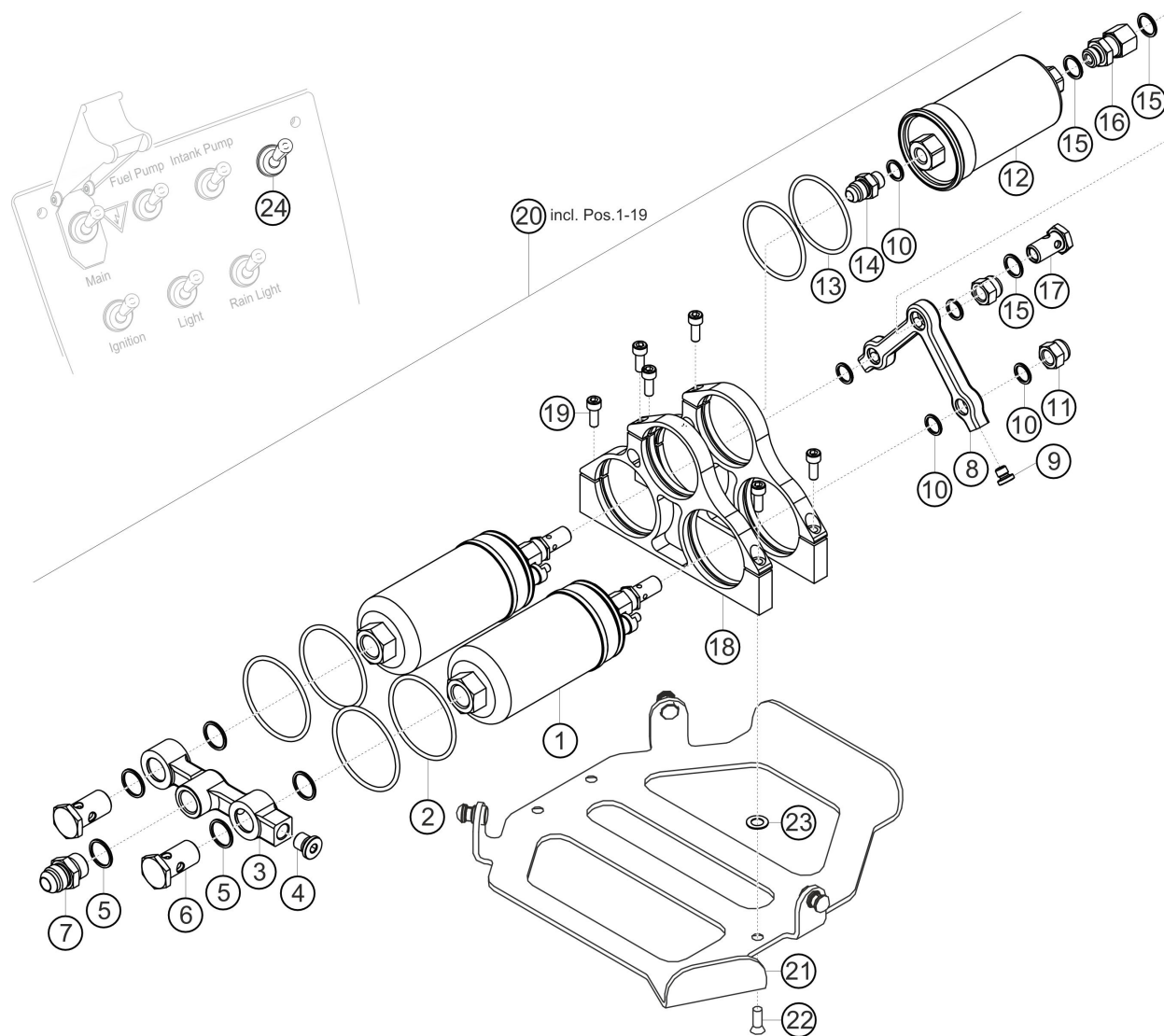
Item no.	Description	M	Pc.	Material
1	AS TANK CLOSING PLATE W/ FILLER NECK	X	1	9912013179B
2	FILLING VALVE	X	1	9912012439A
3	O-RING SEAL	X	1	9912017818A
4	COUNTERSUNK-HEAD SCREW M6X16	X	6	90024906909
5	ADAPTER PLATE	X	1	9912012599A
6	O-RING SEAL	X	1	9912017858A
7	PAN HEAD SCREW M5X12		12	90011900100
8	DOWNPIPE FUEL TANK	X	1	9912011639A
9	O-RING SEAL	X	1	9912016518B
10	O-RING 13,00X2,0 N* FPM 83		2	99970714640
11	SCREW-IN NECK RETURN LINE	X	1	9912015298A
12	ADAPTER 12x1,5	X	1	99910502930
13	O-RING 9,00X2,0	X	1	99970194740
14	O-RING 7X2		1	99970739240
15	SCREW-IN NECK	X	1	9912015258B
16	O-RING 9,00X2,0	X	1	99970194740
17	RETAINING PANEL	X	1	9912015738B
18	SCREW FILL. HD. M5X12 8.8 S627		2	999073268A2
19	SCREW FILL. HD. M5X16 8.8 S627		26	999073269A2

10.12 option fuel pressure regulator

Item no.	Description	M	Pc.	Material
1	HOUSING FUEL PRESSURE REGULATOR	X	1	9912015718A
2	SPACER RING PRESSURE REGULATOR	X	1	9961105999A
3	PRESSURE REGULATOR 5 BAR	X	1	9961101999A
4	FUEL LINE PRESSURE REGULATOR	X	1	9912012918A
5	FUEL LINE SAFETY VALVE	X	1	9912012718A

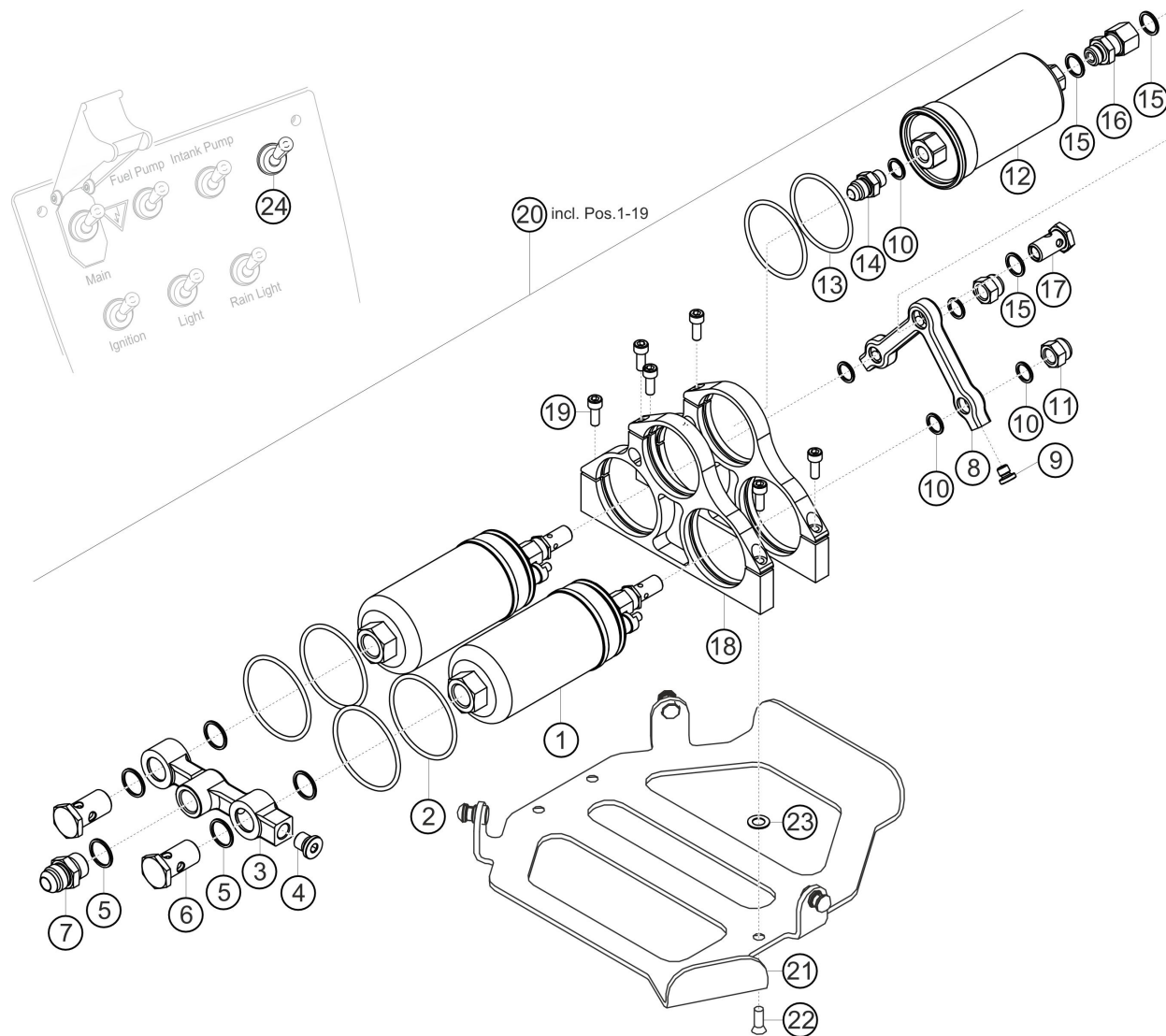


10.13 option fuel-pump long distance tank



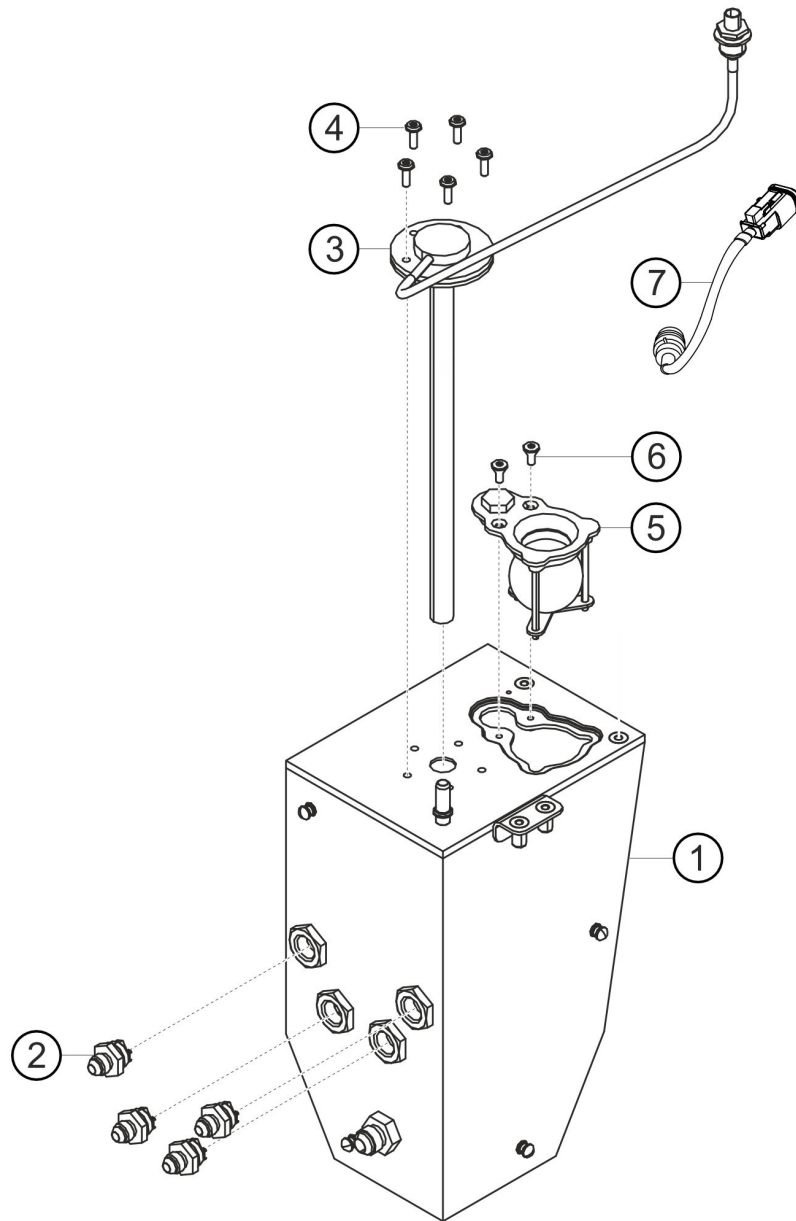
Item no.	Description	M	Pc.	Material
1	FUEL PUMP 111L TANK	X	2	9916201038A
2	O-RING SEAL	X	4	9912017758A
3	DISTRIBUTOR PUMP	X	1	9912015058A
4	PLUG	X	1	9912017398A
5	SEALING WASHER	X	5	9912017478A
6	HOLLOW SCREW	X	2	9912017838A
7	ADAPTER	X	1	9912017498A
8	DISTRIBUTOR PUMP	X	1	9912015038A
9	PLUG	X	2	9912017378A
10	ALUM.SEALING RING 12X18 D 7603 AL		5	90012310130
11	NUT	X	2	9912017778A
12	FUEL FILTER	X	1	9912014628A
13	O-RING SEAL	X	2	9912017738A
14	ADAPTER 14x1,5	X	1	99910503230
15	SEALING RING 14X20		3	90012311121
16	ADAPTER FILTER	X	1	9912017458A
17	HOLLOW SCREW	X	1	9912017798A
18	HOLDER PUMP	X	2	9912015238A
19	PAN-HEAD SCREW M6X16		6	90006711704
20	AS FILTER/PUMP MODULMODULE	X	1	9912010698A
21	RETAINING PANEL	X	1	9912015978A
22	COUNTERSUNK SCREW M6X20 I14581 8.8 26D1*	X	4	90024930902
23	WASHER		4	N 01152427

10.13 option fuel-pump long distance tank



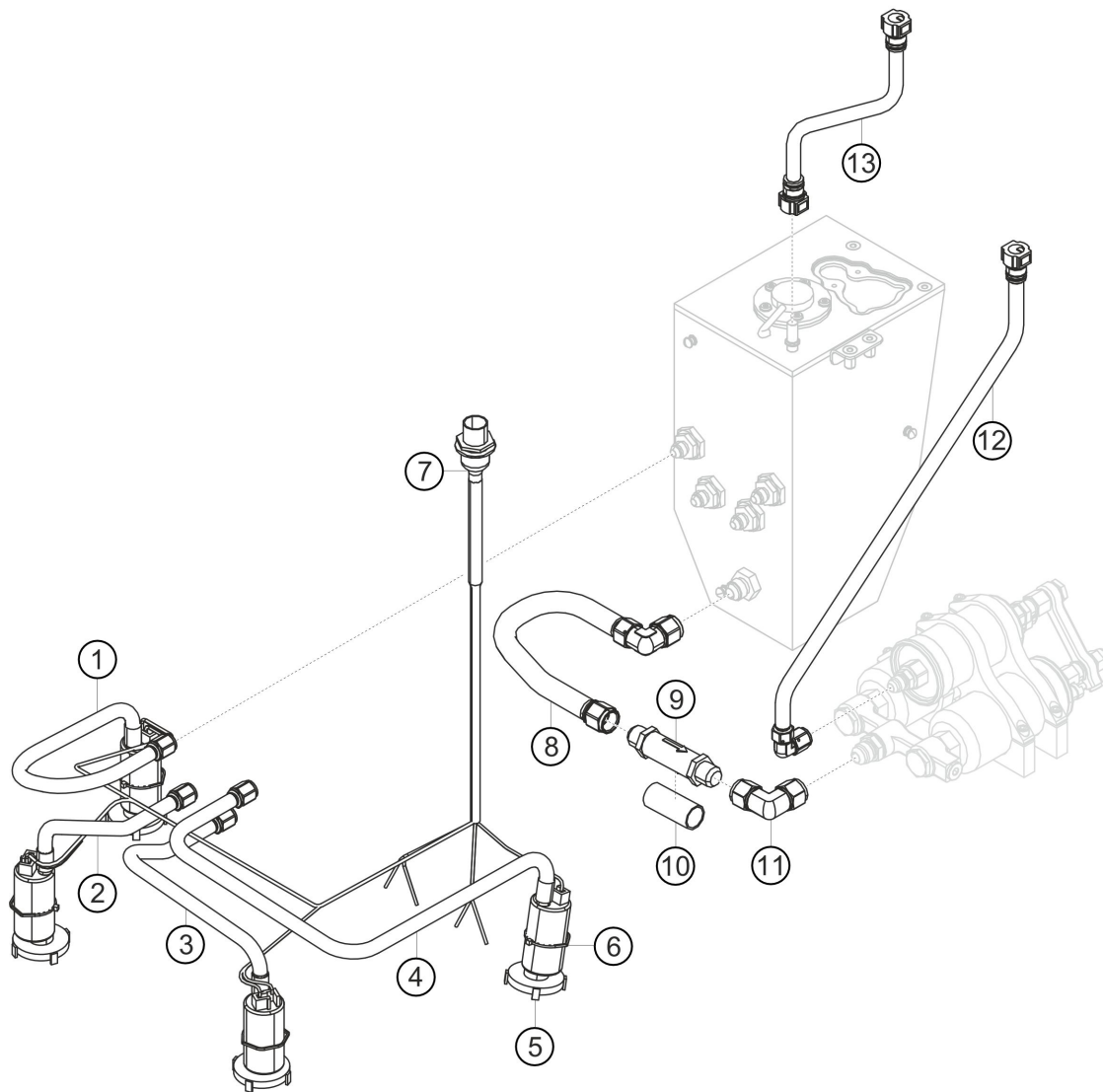
Item no.	Description	M	Pc.	Material
24	SWITCH	X	1	9916133618A

10.14 option catchtank long distance tank



Item no.	Description	M	Pc.	Material
1	AS CATCH TANK	X	1	9912012139A
2	CHECK VALVE CATCH TANK	X	5	9F0201345
3	FUEL LEVEL SENSOR CATCH TANK	X	1	9912017418B
4	SCREW FILL. HD. M5X16 8.8 S627		4	999073269A2
5	VALVE PLATE CATCH TANK	X	1	9972013139A
6	SCREW FILL. HD. M5X12 8.8 S627		2	999073268A2
7	CABLE LOOM	X	1	9912016618A

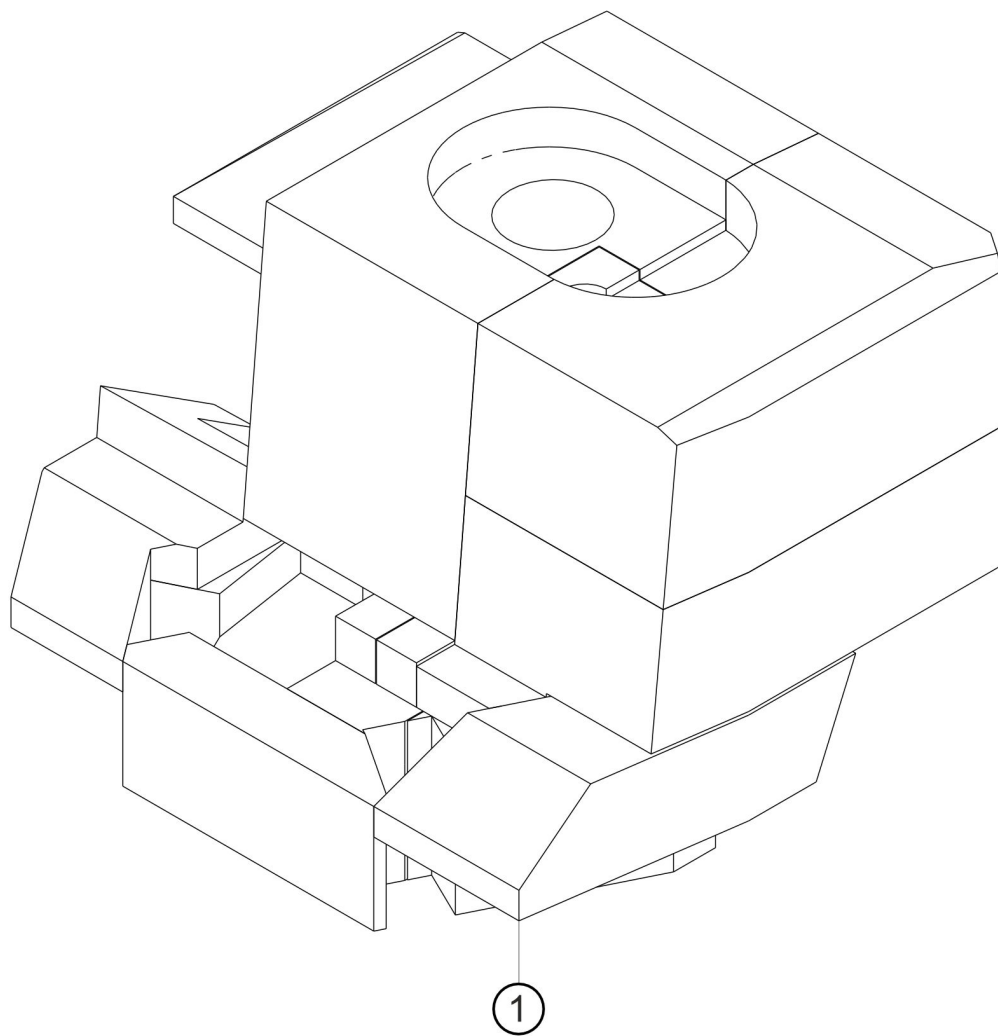
10.15 option internal fuel lines and pumps



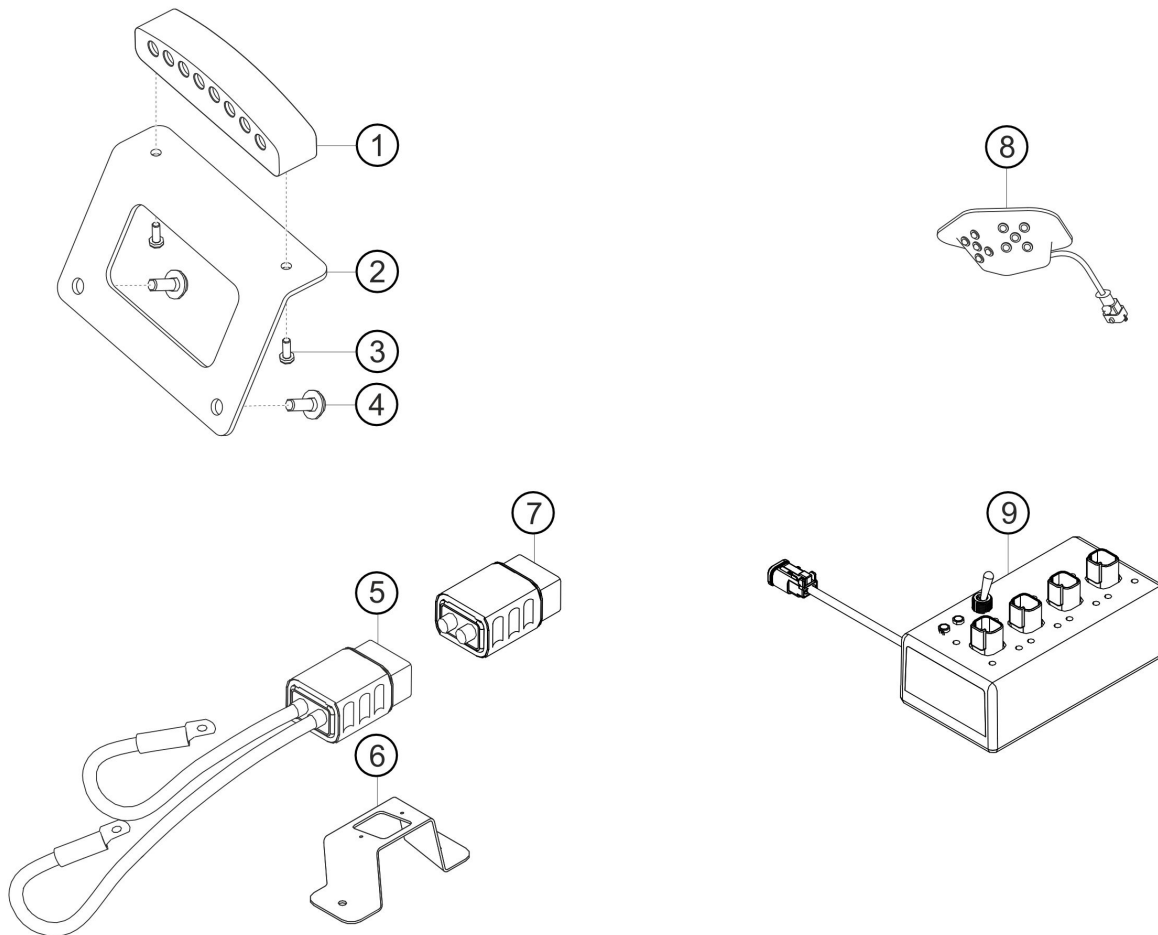
Item no.	Description	M	Pc.	Material
1	AS FUEL PUMP INTANK	X	1	9912013458B
2	AS FUEL PUMP INTANK	X	1	9912013478B
3	AS FUEL PUMP INTANK	X	1	9912013438B
4	AS FUEL PUMP INTANK	X	1	9912013418B
5	FILTER INTANK PUMP	X	4	9912016378A
6	99951307840	X	4	99951307840
7	CABLE LOOM FUEL TANK	X	1	9912016978E
8	FUEL LINE CATCH TANK - PUMP	X	1	9912012318A
9	AS FUEL FILTER ROUGH	X	1	9912012838B
10	FILTER INSERT PRIMARY FUEL FILTER	X	1	9912013878A
11	ELBOW FITTING	X	1	9972015959A
12	FUEL LINE PUMP - TANK PLATE	X	1	9912012178D
12	FUEL LINE CATCH TANK - TANK PLATE	X	1	9912012278A

10.16 option foam-parts long distance tank

Item no.	Description	M	Pc.	Material
1	SET,FOAM PART FUEL TANK	X	1	9912011979A

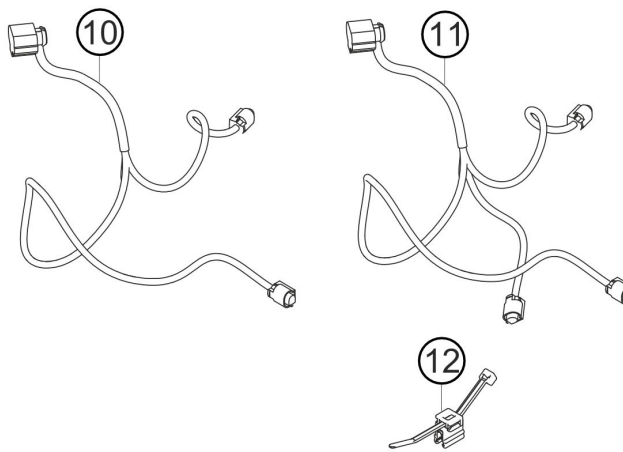
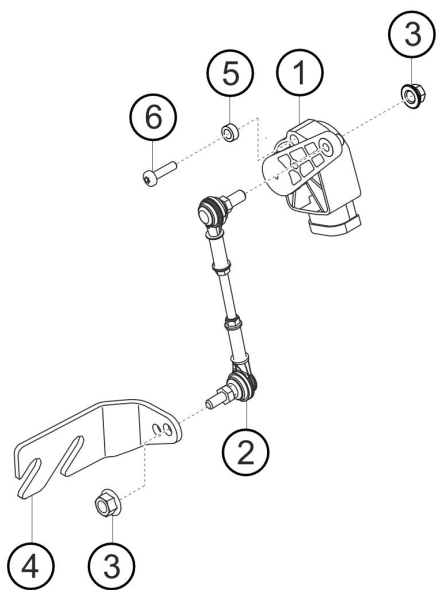
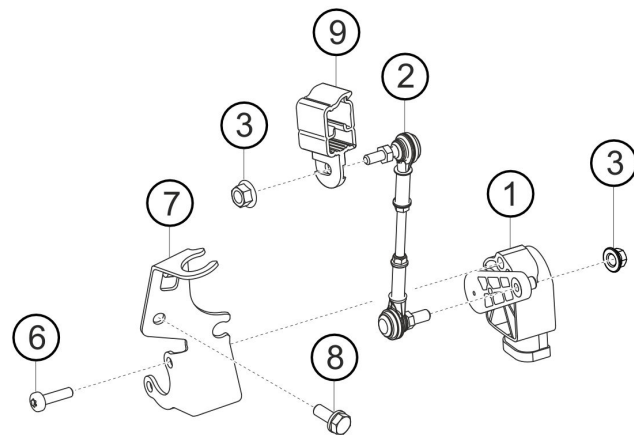


10.17 option electronic



Item no.	Description	M	Pc.	Material
1	OIL-LEVEL INDICATOR	X	1	9916411399A
2	HOLDER OIL-LEVEL INDICATOR	X	1	9916414738A
3	PAN-HEAD SCREW M3X 8 I14583 8.8 26D1	X	2	99907339801
4	SCREW FILL.HD. M5X12 8.8 26D1		2	99907326809
5	CABLE LOOM CHARGING CABLE	X	1	9916125057A
6	HOLDER CHARGING CABLE	X	1	9916117319A
7	PLUG FOR EXTERNAL CHARGING DEVICE	X	1	9914508418A
8	LIGHTING COCKPIT	X	1	9F0947179
9	VOLTAGE SUPPLY ELECTRONIC BOX	X	1	9816106898A

10.18 option suspension travel sensors



Item no.	Description	M	Pc.	Material
1	WHEEL DISPLACEMENT SENSOR	X	4	9916064238B
2	AS COUPLING ROD SPRING TRAVEL SENSOR	X	4	9913413757A
3	HEXAGON NUT M 5 EN1664 8 C350		8	90038000102
4	HOLDER WISHBONE FA LEFT		1	99134154380
4	HOLDER WISHBONE FA RIGHT		1	99134154480
5	SPACER SLEEVE	X	4	9913436218A
6	OVAL-HEAD SCREW M5X12	X	8	99901501007
7	HOLDER SPRING TRAVEL SENSOR	X	1	9916094078A
7	HOLDER SPRING TRAVEL SENSOR	X	1	9916094088A
8	HEXAGON-HEAD BOLT M6X16 I10644 8.8-S1-N-MK*		2	99921711601
9	HOLDER WISHBONE RA	X	2	99133137100
10	CABLE LOOM WHEEL DISPLACEMENT MEASUREMENT RA	X	2	9916129468B
11	CABLE LOOM WHEEL DISPLACEMENT MEASUREMENTS FA	X	2	9916129488E
12	CABLE TIE 45 PA6.6/SW *		2	99950795240

10.19 option starting number illumination

Item no.	Description	M	Pc.	Material
1	ILLUMINATION REFLECTING FILM	X	2	9916311798A
2	CONTROL UNIT REFLECTING FILM	X	2	9916311078D
3	ROUND HEAD SCREW M4X12 I14583 8.8 26D1		4	99907345601
4	CABLE LOOM DOOR	X	2	9916127817A
5	FASTENING PLATE	X	2	9R661273100
6	SCREW M2X6	X	4	99907341901
7	CABLE LOOM START NUMBER	X	1	9916127777A
8	GROMMET DOOR	X	2	99161027300
9	SCREW FILL. HD. M5X12 8.8 S627		4	999073268A2
10	LID FRONT	X	2	9915314738A
11	PART NOT AVAILABLE	X	2	KTSDUMMY
12	REINFORCING PLATE MIRROR FIXING	X	2	9915314718A

